

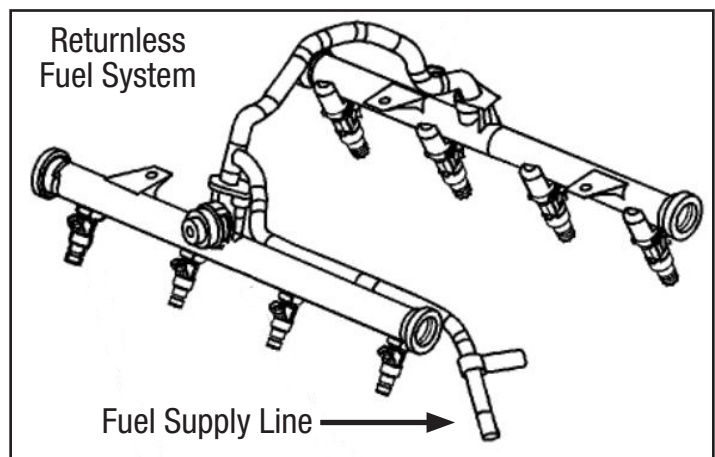
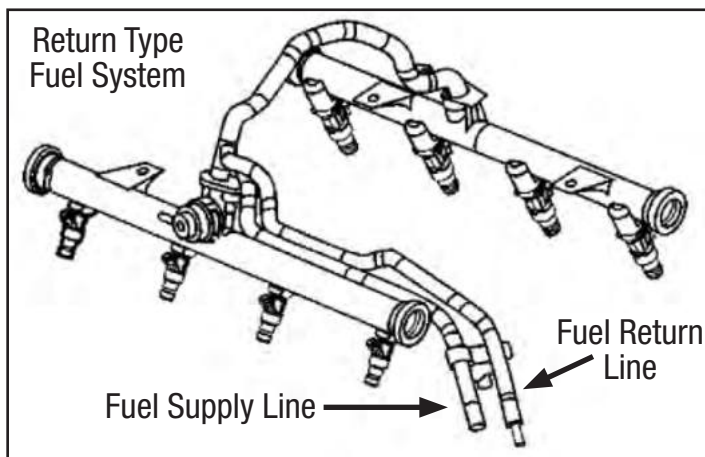


Supplemental Fuel Pump Kit for #1577 '03-'07 GM 1500 Classic Return Type Fuel System Installation Instructions

PLEASE study these installation instructions carefully before beginning the installation. The Supplemental Fuel Pump Kit installation is complex but can be accomplished with common tools and automotive service procedures. However, it is recommended to have a strong familiarity with working on automotive fuel systems before attempting this installation. If you do not feel comfortable performing this installation or have never worked with automotive fuel systems before, it is highly recommended to have the installation completed by a qualified mechanic with access to a service lift and a strong familiarity with automotive service procedures. If you have any questions, please call our **Technical Hotline at: 1-800-416-8628**, Monday - Friday, 7:00 am - 5:00 pm, Pacific Standard Time.

WARNING: Proper installation is the responsibility of the installer. Improper installation will void the manufacturer's warranty and may result in poor performance and engine or vehicle damage.

- **DESCRIPTION:** This supplemental fuel kit contains a replacement fuel pump with fuel level sender and return system components. This supplemental fuel kit is required for all 2003-'07 GM 1500 Classic Trucks, equipped with a return type fuel system, utilizing the #1577 E-Force supercharger. **NOTE: Vehicles with returnless fuel systems use Supplemental Fuel Kit #15775.**



Kit includes the following:

- 1 - Fuel Pump w/ Fuel Level Sending Unit
- 1 - Fuel Pump Adapter Harness
- 1 - Adapter, Fuel Pressure Regulator
- 1 - Bracket, EVAP and Fuel Pressure Regulator
- 1 - Fuel Hose, Regulator to Rail
- 1 - Fuel Hose, Output to Regulator
- 1 - Fuel Hose, Regulator to Return

Tools Required:

- GM J 45722 Fuel Sender Lock Ring Wrench OR Equivalent
 - Feeler Gage: .41 mm (.016 in)
 - Long Breaker Bar
 - Ratchet 1/2", 3/8", 15mm, Extensions
 - 1 - Vacuum Hose, 3/16" (1 Feet)
 - 1 - Tee Reducer
 - 1 - Retaining Ring
 - 2 - Hex Flange Bolt, M6 x 1.0 x 16mm
 - 2 - Hex Nut, M6 x 1.0
 - 2 - Washer, Flat M6
 - Service Lift OR Equivalent
 - Compressed Air
 - Torx Bit Set
 - Small Flat Head Screwdriver
 - Retaining Ring Pliers
- The procedures for installing the fuel pump module are identical to the OE. It is recommend that you refer to the vehicle's service manual on specific details on how to remove and install the new fuel pump module.
 - **Prior to starting this installation, make sure that the fuel level in the tank is below an 1/8 tank. This will reduce the risk of toxic vapors, spillage, as well as make the fuel tank easier to remove.**

Always work in a well-ventilated area when working with gasoline as the vapors are toxic and are highly flammable. Be aware of any sources of heat or sparks, such as drop lights or space heaters. Do not smoke and do not allow those around you to smoke during this installation.

INSTALLATION PROCEDURE

It is critical to install the supplemental fuel tank module on a vehicle that is able to start once the installation is complete. Once the supplemental fuel tank module is installed, you must start the vehicle to check for leaks and Diagnostic Trouble Codes. This process can be completed prior or after the supercharger installation. If performed after the supercharger installation, DO NOT DRIVE the vehicle until the supplemental fuel pump kit is installed.

Important: Clean the fuel and evaporative emission (EVAP) connections and surrounding areas prior to disconnecting the lines in order to avoid possible system contamination.

1. Disconnect the Negative (-) terminal from the battery if not already done so.

2. Disconnect the quick connect fuel lines from the chassis hard lines.



3. Disconnect the fuel tank EVAP line from the EVAP canister. Cap or tape up the fuel and EVAP lines to prevent possible system contamination.



4. Place an adjustable jack under the fuel tank for support. Using a 15mm socket, remove both fuel tank strap bolts and straps.



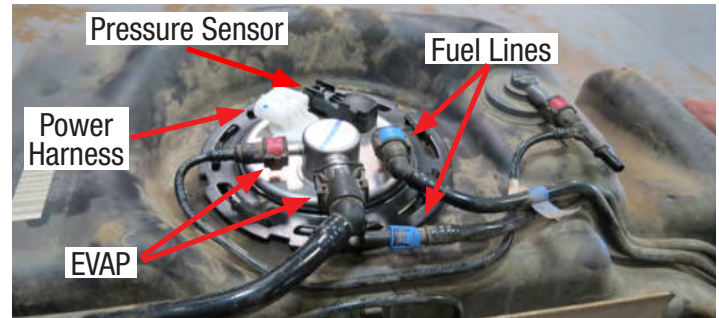
5. Lower the fuel tank slightly. Loosen the fuel fill pipe clamp at the fuel tank and remove the fuel fill pipe from the fuel tank.

6. Disconnect the chassis wiring harness clip at the frame crossmember.

7. Lower the fuel tank until the electrical connections on top of the fuel pump module are accessible.

8. Disconnect the fuel tank pressure sensor and fuel tank module harnesses from the fuel pump module.

9. Lower the fuel tank and disconnect the fuel lines and EVAP lines from the fuel tank module.

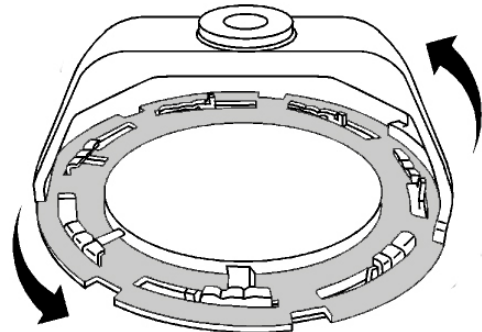


10. Move the fuel lines and EVAP lines away from the fuel pump module.

11. Install a J 45722 fuel tank module lock ring tool or equivalent to the module's lock ring.

CAUTION: DO NOT damage the lock ring. DO NOT use any impact tools. DO NOT use a hammer and screwdriver to remove the lock ring as they will damage the lock ring. Significant force will be required to release the lock ring. Using a long breaker bar is highly recommended.

12. Using the J 45722 and a long breaker bar, rotate the lock ring counterclockwise to unlock the fuel tank module lock ring.

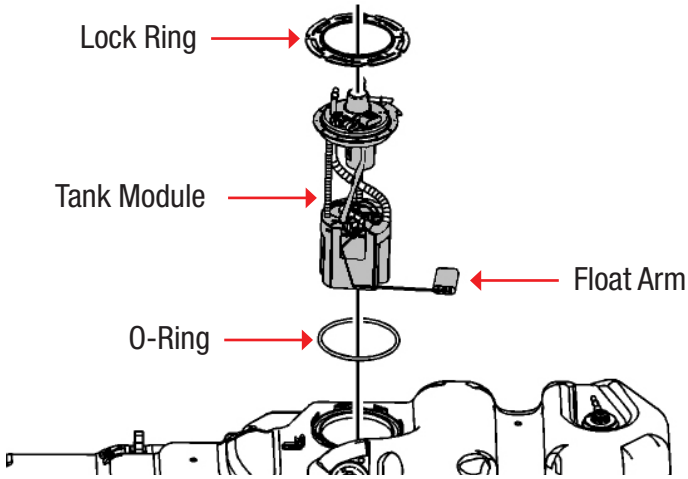


13. Remove the J 45722 and the lock ring.

14. Slowly lift up the module until the float arm is visible.

15. Tilt the module to remove the fuel from the reservoir bucket then fully remove the module. Discard any fuel leftover in the module reservoir bucket.

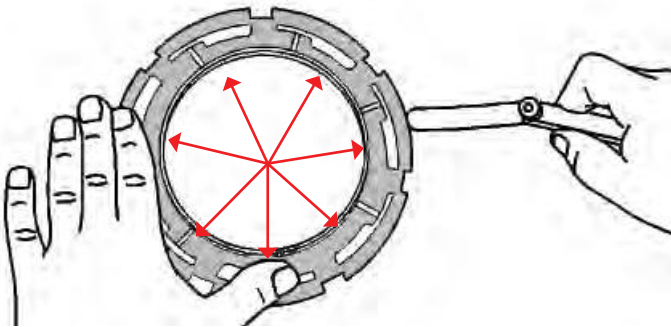
16. Remove and discard the fuel tank module O-ring seal as a new one is provided in this kit.



NOTE: Some lock rings were manufactured with "DO NOT REUSE" stamped into them. **These lock rings may be reused if they are not damaged or warped.**

17. Inspect the lock ring for damage due to improper removal. If damage is found, install a NEW lock ring.

18. Check the lock ring for flatness. Place a lock ring on the flat surface and measure the clearance between the lock ring and the flat surface using a feeler gage at all 7 points.



19. If warpage is less than .41 mm (.016 in), the lock ring does not require replacement. If warpage is greater, the lock ring must be replaced.

20. Reverse the disassembly procedure to install the new fuel tank module and fuel tank.

NOTE: Later applications must use the supplied Fuel Pump Adapter harness when reinstalling the fuel pump connector.

21. Remove the fuel pressure regulator from the driver side fuel rail by removing the retaining clip. Inspect o-rings and replace as needed.



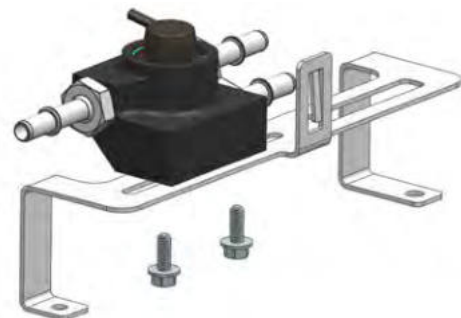
22. Using retaining clip pliers, install the fuel pressure regulator into the fuel pressure adapter.



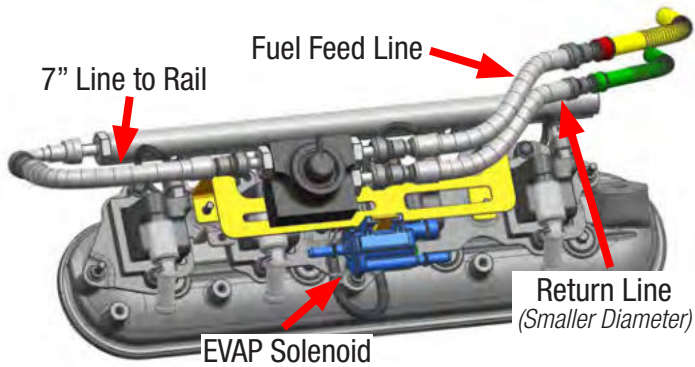
23. Install the supplied O-rings onto the supplied fuel fittings. Apply O-ring lube to the O-rings and install the fittings into the fuel pump regulator adapter.



24. Using the supplied bolts, loosely mount the fuel pressure regulator assembly to the mounting bracket as shown.



25. Install the fuel pressure regulator bracket assembly onto the 2nd and 4th coil studs and secure with the supplied M6 nuts and washers. Attach the EVAP solenoid to the regulator bracket and install the fuel lines as shown below. Adjust the regulator block to avoid kinking the fuel lines and securely fasten the regulator block bolts.



26. Install the EVAP solenoid using the installation instructions from the #1577 supercharger.

27. Using the supplied T fitting, tap into the actuator hose and connect the T fitting to the fuel pressure regulator.



28. Reinstall the Negative (-) terminal on the battery and start the vehicle. Check for fuel leaks and repair if necessary before operating the vehicle. Check for Diagnostic Trouble Codes, if present.



Edelbrock LLC • 2700 California St. • Torrance, CA 90503
Tech-Line: 1-800-416-8628