



EDELBROCK QUIET-FLO™ ELECTRIC FUEL PUMPS
Catalog #1791 & #1792
#182051, #18052, #182061, 182062
INSTALLATION INSTRUCTIONS

PLEASE study these instructions completely and thoroughly before installing your new Edelbrock Fuel Pressure Regulator. If you have any questions or problems, contact our **Technical Hotline at: 1-800-416-8628**, 7 am - 5 pm Monday-Friday, Pacific Standard Time.

WARNING!

Prior to starting the installation, make sure to eliminate all potential fire hazards as fuel leakage can occur when loosening the fuel system connections and components.

CAUTION! Installation of this product should be performed by those persons knowledgeable in the repair and modification of automotive fuel systems. Proper installation is the responsibility of the installer. Improper installation will void the manufacturer's warranty and may result in poor performance and engine or vehicle damage. **Do not loosen the fuel system connections until relieving pressure** as recommended in your automotive service manual.

DESCRIPTION: Edelbrock Quiet-Flo™ Electric Fuel Pumps feature anodized aluminum housings and high quality internals, resulting in quiet operation and long life. They are designed for use in universal carbureted applications such as street rods and muscle cars. Both pumps feature replaceable screen type inlet filters (**NOTE:** Use of an in-line fuel filter in your fuel system is also recommended). Mounting bracket and hardware are included.

- **1791, 182051, 182052:** Features a 3/8" NPT inlet and 3/8" NPT outlet. These fuel pumps have a free flow rate of 120 gallons per hour, flows 48 gallons per hour at 5.0 psi, and will support up to 600 horsepower. Fuel pressure is externally adjustable from 5 to 10 psi and is factory preset to 6.5 psi. A fuel pressure regulator is not required when using the factory preset 6.5 psi fuel pressure.
- **1792, 182061, 182062:** Features a 1/2" NPT inlet and 1/2" NPT outlet. These fuel pumps have a free flow rate of 160 gallons per hour, flows 80 gallons per hour at 6.5 psi, and will support up to 1000 horsepower. Fuel pressure is factory preset to 12 psi. An external fuel pressure regulator is required. See Edelbrock catalog for an appropriate fuel pressure regulator to meet your needs.

INSTALLATION

NOTE: Refer to the photos below throughout the installation. Continued instructions are on the next page.

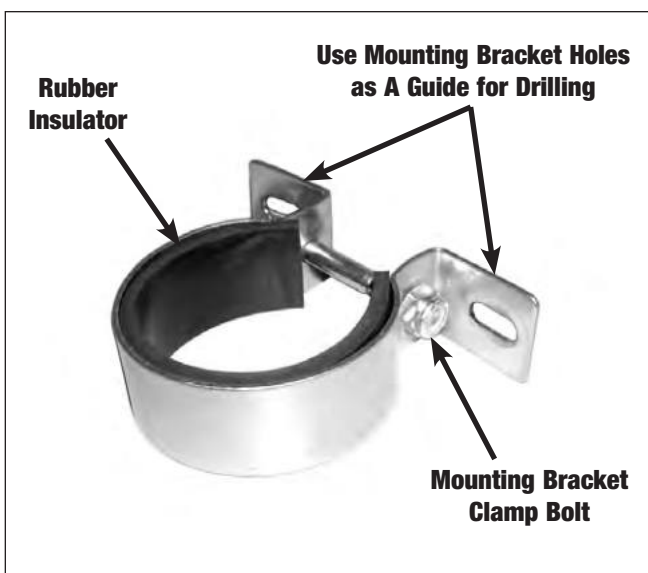


Figure 1 - Fuel Pump Mounting Bracket

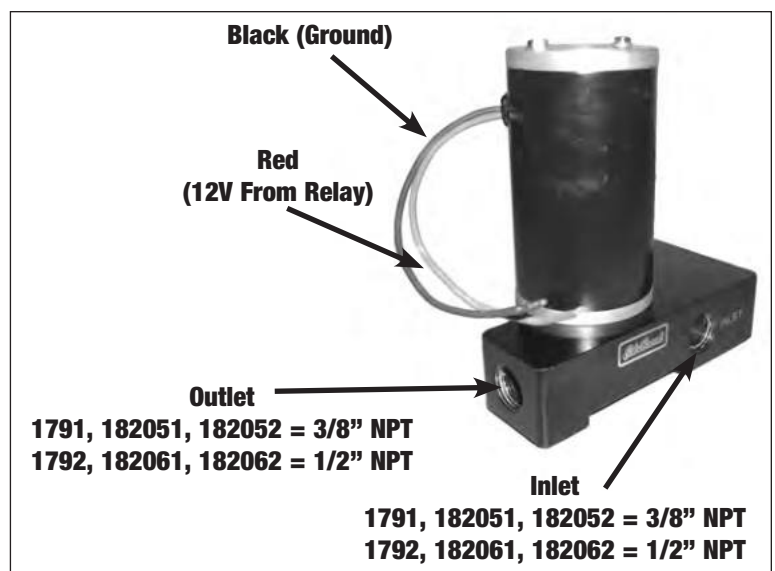


Figure 2 - Fuel Pump

INSTALLATION

1. With the ignition off and engine cool, relieve the fuel system pressure.
2. Remove the fuel line, carburetor side and fuel tank side of fuel pump.
3. Determine the new fuel pump mounting location.
NOTE: These pumps are only designed to push fuel from the rear of the vehicle forward, towards the engine bay. The pump must be mounted below the fuel level or pickup tube inlet for the pump to prime properly on startup. Ideal installation would mount the pump upright as shown in **Figure 2**, but the pump will operate in any orientation.
4. Replace existing fuel lines as necessary for proper fitment. Mark and drill mounting bracket holes using the bracket as a template (**See Figure 1**).
5. Assemble the bracket and fuel pump.
6. Install the fuel pump and bracket assembly in the desired location.
7. Install the appropriate fittings or use appropriate sized hose ends on your fuel line (**Fuel fittings not included**) (**See Figure 2**). Lightly coat the threads of the fittings with thread sealer before assembly. See the Russell catalog or visit www.russellperformance.com for a selection of fittings and hose ends.

FUEL PUMP WIRING:

NOTE: Use of a 30 AMP relay is required. Edelbrock Universal Fuel Pump Relay #1795 is recommended.

Connect the **BLACK** wire to a battery ground or good engine/chassis ground, and the **RED** wire to the 12v output from the relay being used (**See Figure 2**). The relay should be wired such that power to the fuel pump is only on when the key is on. See the installation instructions to Universal Fuel Pump Relay #1795 for relay wiring instructions.

9. Connect and tighten fuel lines to the inlet and outlet. Then tighten mounting bracket clamp bolt (**See Figure 1**).
10. **Check for leaks:** Turn fuel pump on and check all connections for leaks. **If leaks exist**, immediately turn key off and repair before continuing.

ADJUSTMENT

NOTE: Fuel pumps are preset to 6.5 psi (#1791, 182051, 182052) and 12 psi (#1792, 182061, 182062), which should be adequate in most situations. However, if you would like to adjust the fuel pump pressure, follow steps listed below:

1. Adjusting fuel pressure will require having a fuel pressure gauge installed between the fuel pump and carburetor. It is recommended to have a fuel pressure gauge installed in the fuel system to allow you to monitor your fuel pressure at all times. If you already have a pressure gauge installed, you may skip to step 4. If you do not have a gauge installed, make sure fuel pump is off, and pressure in the fuel line has been relieved before continuing.
2. Connect a fuel pressure gauge between the fuel pump and your carburetor.
3. Turn fuel pump on, however DO NOT start the engine. Make sure there are no leaks before continuing.
4. Start the engine and take a reading of the running fuel pressure. Locate the Adjustment screw (**See Fig. 3**) and adjust pressure to the desired level. Rotate the screw clockwise to increase fuel pressure or counter-clockwise to decrease fuel pressure.
5. If a pressure gauge was temporarily installed, turn off the pump and relieve the fuel pressure in the line. Remove the gauge and reconnect your fuel lines. Turn pump on and check for leaks before starting the engine.

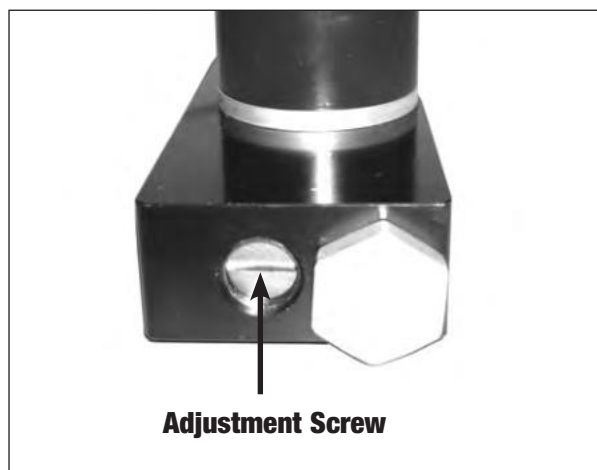


Figure 3 - Fuel Pressure Adjustment



Edelbrock LLC • 2700 California St. • Torrance, CA 90503
Tech-Line: 800-416-8628