



Equipped with AEM® Dryflow™ Filter  
No Oil Required!

## **INSTALLATION INSTRUCTIONS**

### **PART NUMBER:**

---

**21-502B (Blue Finish)**

**21-502C (Gun Metal Grey Finish)**

**21-502P (Vacuum Metalized Chrome-VMC)**

**21-502R (Red Finish)**

2001-2005	HONDA Civic LX	L4-1.7L	Manual Trans.	C.A.R.B. E.O. # D-670-15
2001-2005	HONDA Civic DX	L4-1.7L	Manual Trans.	C.A.R.B. E.O. # D-670-15
2004-2005	HONDA Civic Value Package	L4-1.7L	Manual Trans	C.A.R.B. E.O. # D-670-15

**Intake systems for vehicles listed are 50  
state legal. See [AEMIntakes.com](http://AEMIntakes.com) for CARB  
status on each part for a specific vehicle.**

## PARTS LIST

Description	Qty.	Part Number
Element Parts Kit 2.75 X 5" Dry Ele.	1	21-202DK
Upper Pipe	1	2-469
Lower Pipe	1	2-470
Hose, Silicone 2.50x2" Black	1	5-252
Hose, Adapter 2.50/2.75 X 3" Bl.	1	5-257
Mount, Rubber 1" X 6mm	1	1228599
Grommet, 3/8"	1	784633
Hose; 5/8"ID X 5"L	1	5-7005
Bracket, Support Civic	1	32-3003
Bolt, Hex M6 X 1.0 X 16mm	1	1-2030
Washer, 6mm Soft Mount	3	08160
Nut, M6 Hex Serrated	2	444.460.04
1/2" Bnd. Hose Clamp, 2.15-3.00"	3	9440
1/2" Bnd. Hose Clamp, 2.31-3.25"	1	9444
Hose Clamp #6 Mini	2	08407
1/2" Bnd. Hose Clamp, 2.56"-3.50"	1	9448

**Read and understand these instructions BEFORE attempting to install this product. Failure to follow installation instructions and not using the provided hardware may damage the intake tube, throttle body and engine.**

**The AEM<sup>®</sup> intake system is a performance product that can be used safely during mild weather conditions. During harsh and inclement weather conditions, you must return your vehicle to stock OEM air box and intake tract configuration. Failure to follow these instructions will void your warranty.**

## **1. Preparing Vehicle**

- a. Make sure vehicle is parked on level surface.
- b. Set parking brake.
- c. If engine has run in the past two hours, let it cool down.
- d. Disconnect negative battery terminal.
- e. Make sure you have the anti-theft code for the radio.
- f. Do not discard stock components after removal of the factory system.

## **2. Removal of stock system**

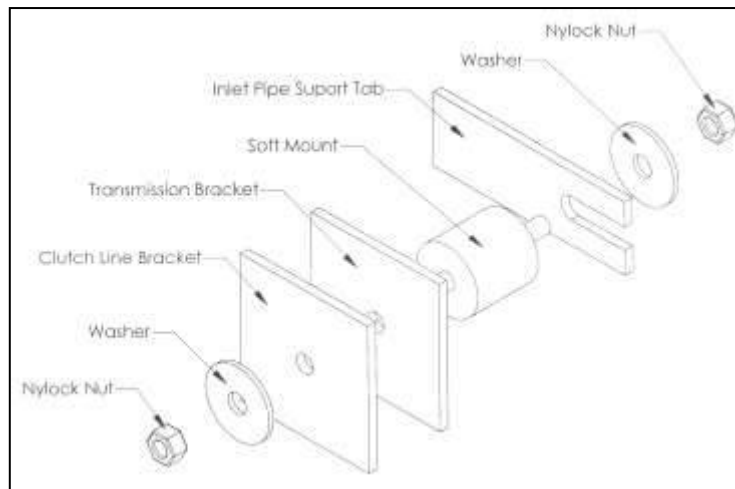
- a. There is one breather hose and one Intake Air Temperature (IAT) sensor. Refer to the diagram on page 5 for the identification of these components. **(Fig. 1)**
- b. Remove the battery cables from the fuse box, and remove the wire harness clamp from the intake air duct. **(Fig. 2)**
- c. Remove the intake air duct by loosening the bolt at one end and then pulling the other end up out of the mounting tab. **(Fig. 3)**
- d. Raise the front of the vehicle with a jack. Refer to your owner's manual for proper jack and jack stand placement to properly support vehicle. Support your vehicle using properly rated jack stands before wheel removal or while working under the vehicle.  
**NEVER WORK UNDER A VEHICLE WITHOUT USING JACK STANDS.**
  - i. Remove the front passenger wheel. Then remove the necessary hardware and inner fender liner.
  - ii. Remove the lower front splashguard.
  - iii. Remove the two intake air duct mounting tabs from the fender well. Remove the ground cable bolt from the transmission bracket. **(Fig.3)**
- e. Remove the four bolts securing the intake resonator and pull the intake resonator out of the car. **(Fig. 4)**
- f. Remove the bolts securing the clutch line bracket to the transmission bracket. **(Fig 5)**
- g. Disconnect the back-up light switch connector. Use a 27mm deep socket to remove the back-up light switch from the transmission. Be careful not to lose the washer. Set switch aside in a safe place. Cover the back-up light switch hole to prevent foreign objects from falling into the transmission. **(Fig. 6)**
- h. Loosen the two mounting bolts and remove the transmission bracket. **(Fig. 7)** Reinstall the back-up light switch and washer.
- i. Remove the IAT sensor connector, and then remove the breather hose. Loosen the hose clamp on the throttle body. Remove the air cleaner housing by removing the two bolts securing it. **(Fig. 8)**
- j. Remove the IAT sensor from the air cleaner housing by gently pulling straight back. Set the IAT sensor aside in a safe place.

### 3. Installation of AEM® intake system.

- a. When installing the intake system, do not completely tighten the hose clamps or mounting hardware until instructed to do so.
- b. Remove the transmission mount bracket nut closest to the front of the car. Install the supplied transmission bracket over the stud and replace the nut. Refer to the picture for correct orientation. Torque the transmission mount bracket nut to 54 N-m (5.5 kgf-m, 40 lbf-ft). **(Fig. 9)**
- c. Install the 2.50" x 2" hose on to the throttle body with two 2.50" hose clamps.
- d. Check to see that the inside of the AEM® intake pipes and air filter are clean and free from any foreign objects and/or obstructions.
- e. Place the primary intake pipe into the hose on the throttle body. The throttle body end is the end with the IAT sensor hole and breather hose nipple.
- f. Thread supplied washer and bolt through the intake pipe mounting tab into the factory intake resonator mounting bracket. Do not tighten. **(Fig. 10)**
- g. Install the supplied 2.50" to 2.75" reducer hose onto the primary intake pipe with a 2.50" hose clamp.
- h. Install the supplied grommet into the IAT sensor hole in the AEM® primary intake pipe. Install the IAT sensor into the grommet and plug in the IAT sensor connector. **(Fig. 11)**
- i. Install the supplied 5/8" breather hose from the nipple on the AEM® primary intake pipe to the nipple on the valve cover. Use the supplied 1" hose clamp on the AEM® intake pipe nipple and the original hose clamp on the valve cover nipple. **(Fig. 11)**
- j. Attach the ground cable to the new transmission bracket using the original bolt. **(Fig. 12)**
- k. Attach the clutch line bracket to the new transmission bracket using the supplied rubber mount. **(Fig. 12)**
- l. Place the secondary intake pipe into the reducer hose using the 2.75" hose clamp.
- m. Install the washer and retaining nut on to the rubber mount stud but do not tighten. **(Fig. 12)**

**NOTE: Please refer to the picture below for correct rubber mount installation.**

**Civic:** Rubber mount threads into transmission bracket from bottom.



- n. Install the AEM® air filter onto the end of the intake pipe from underneath the car. Push the air filter on around 2 inches over the intake pipe and install one hose clamp to secure the air filter onto the intake pipe. Once fitment is checked, you can either push the air filter onto the intake pipe more or less depending on clearance. Tighten the hose clamp after this is done. Ensure that the air filter does not contact any part of the vehicle. **(Fig. 13)**

# Reference Diagrams

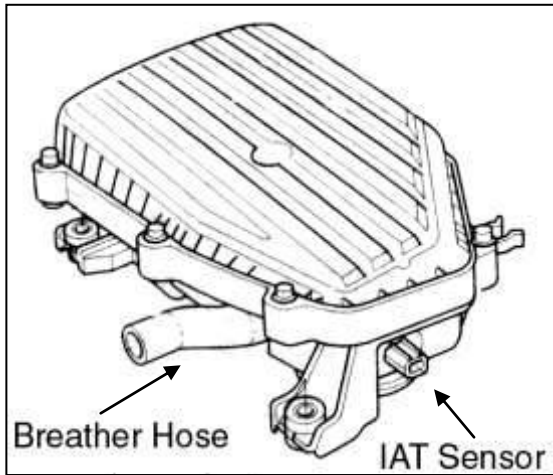


Fig. 1

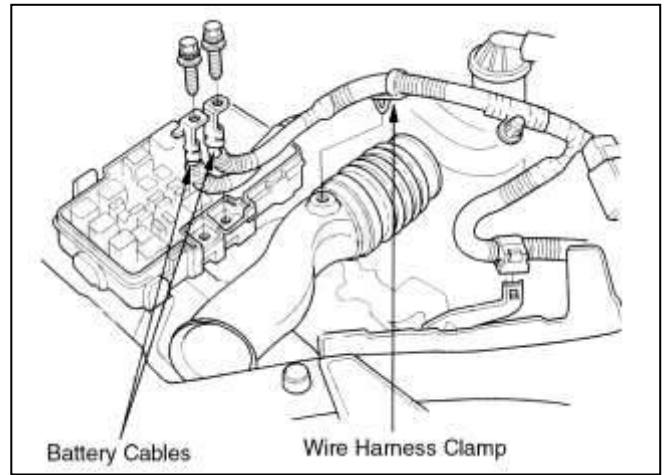


Fig. 2

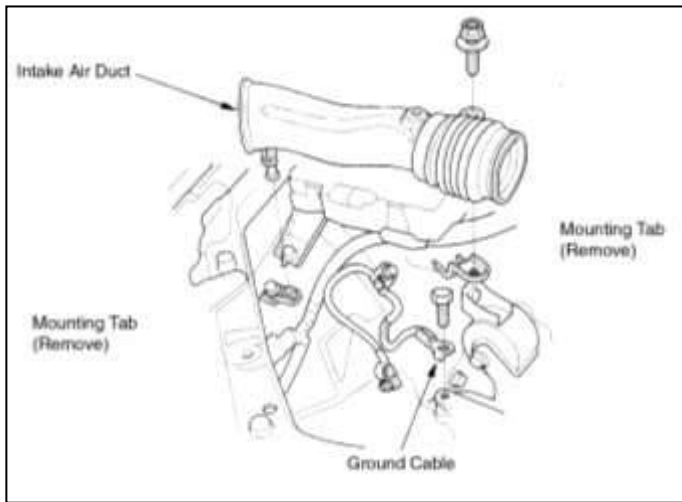


Fig. 3

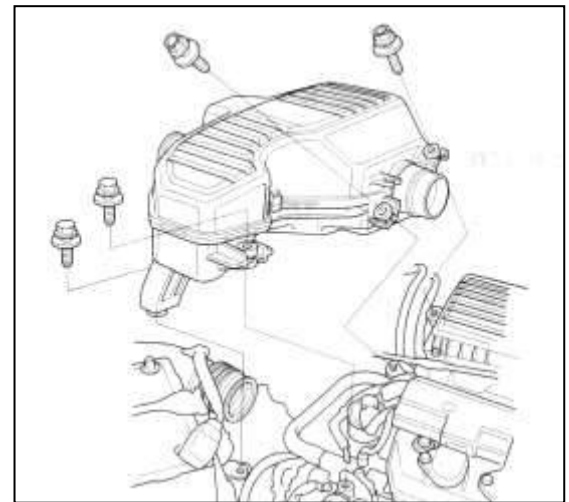


Fig. 4

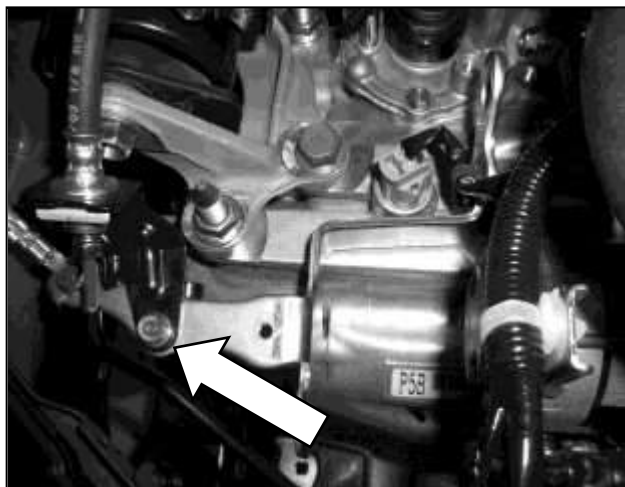


Fig. 5

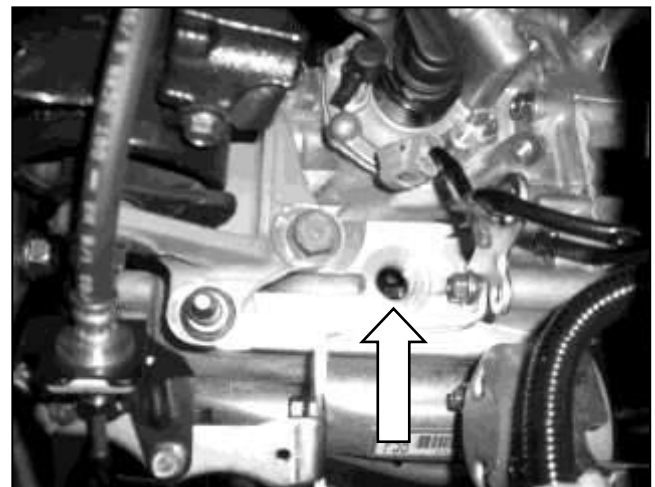


Fig. 6

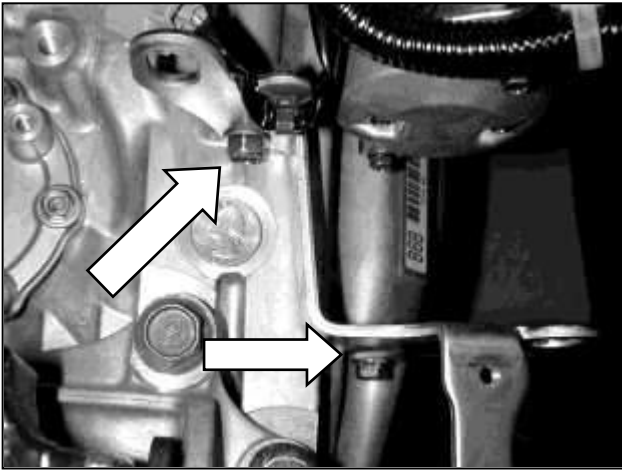


Fig. 7

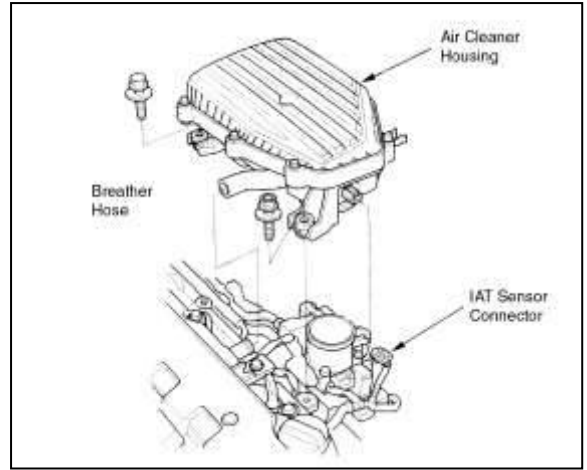


Fig. 8



Fig.9

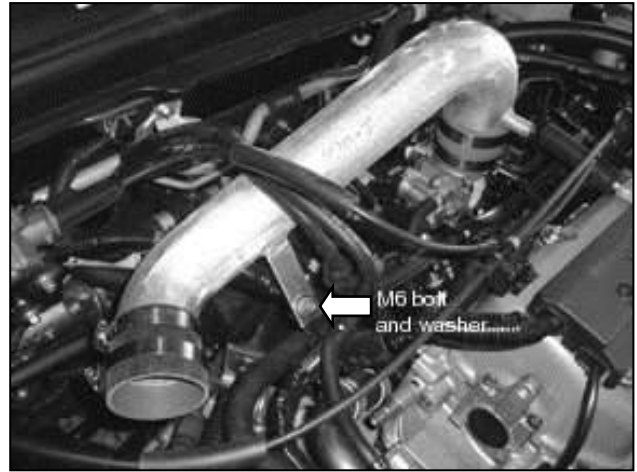


Fig.10



Fig.11

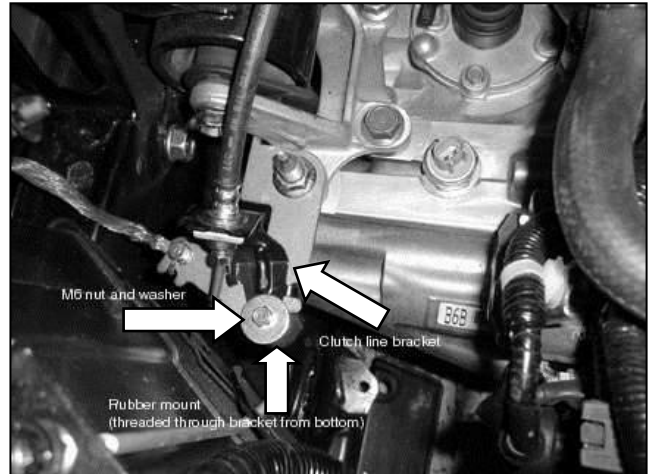


Fig.12



Fig.13



AEM® intake system installed

#### 4. Reassemble Vehicle

- a. **Fender liner and lower front splashguard:** Install the fender liner, lower splashguard and any hardware that was removed in steps 2(di) and 2(dii).  
**NOTE: Failure to install the fender liner will result in diminished performance and increase the potential for engine damage due to water ingestion in rainy conditions.**
- b. **Wheel:** Install the passenger side wheel using the factory torque specification (see owner's manual).
- c. Position the inlet pipes for the best fitment. Be sure that the pipes or any other components do not contact any part of the vehicle. Tighten the rubber mount, all bolts, and hose clamps.
- d. Check for proper hood clearance. Re-adjust pipes if necessary and re-tighten them.
- e. Inspect the engine bay for any loose tools and check that all fasteners that were moved or removed are properly tightened.
- f. Reconnect the battery cables to the fuse box.
- g. Reconnect negative battery terminal and start engine. Let the vehicle idle for 3 minutes. Perform a final inspection before driving the vehicle.

#### 5. CARB Sticker Placement

- a. The C.A.R.B. exemption sticker, (attached), must be visible under the hood so that an emissions inspector can see it when the vehicle is required to be tested for emissions. California requires testing every two years, other states may vary.

#### 6. Service and Maintenance

- a. AEM Induction Systems requires cleaning the intake system's air filter element every 100,000 miles. When used in dusty or off-road environments, our filters will require cleaning more often. We recommend that you visually inspect your filter once every 25,000 miles to determine if the screen is still visible. When the screen is no longer visible some place on the filter element, it is time to clean it. To clean, purchase our Synthetic air filter cleaner, part number 99-0624 and follow the easy instructions.
- b. Use window cleaner to clean your powder coated AEM® intake tube.  
**NOTE: DO NOT USE aluminum polish on powder coated AEM® intake tubes.**

For technical inquiries  
e-mail us at  
[sales@aemintakes.com](mailto:sales@aemintakes.com)  
or  
call us at  
800.992.3000

### **AEM Air Intake System Warranty Policy**

AEM® warrants that its intake systems will last for the life of your vehicle. AEM will not honor this warranty due to mechanical damage (i.e. improper installation or fitment), damage from misuse, accidents or flying debris. AEM will not warrant its powder coating if the finish has been cleaned with a hydrocarbon-based solvent. The powder coating should only be cleaned with a mild soap and water solution. Proof of purchase of both the vehicle and AEM intake system is required for redemption of a warranty claim.

This warranty is limited to the repair or replacement of the AEM part. In no event shall this warranty exceed the original purchase price of the AEM part nor shall AEM be responsible for special, incidental or consequential damages or cost incurred due to the failure of this product. Warranty claims to AEM must be transportation prepaid and accompanied with dated proof of purchase. This warranty applies only to the original purchaser of product and is nontransferable. Improper use or installation, use for racing, accident, abuse, unauthorized repairs or alterations voids this warranty. AEM disclaims any liability for consequential damages due to breach of any written or implied warranty on all products manufactured by AEM. Warranty returns will only be accepted by AEM when accompanied by a valid Return Merchandise Authorization (RMA) number. Credit for defective products will be issued pending inspection. Product must be received by AEM within 30 days of the date RMA is issued.

If you have a warranty issue, please call (800) 992-3000 and our customer service department will assist you. A proof of purchase is required for all AEM warranty claims.

S

**Intake systems for vehicles listed are 50  
state legal. See [AEMIntakes.com](http://AEMIntakes.com) for CARB  
status on each part for a specific vehicle.**