



Equipped with AEM® Dryflow™ Filter
No Oil Required!

INSTALLATION INSTRUCTIONS

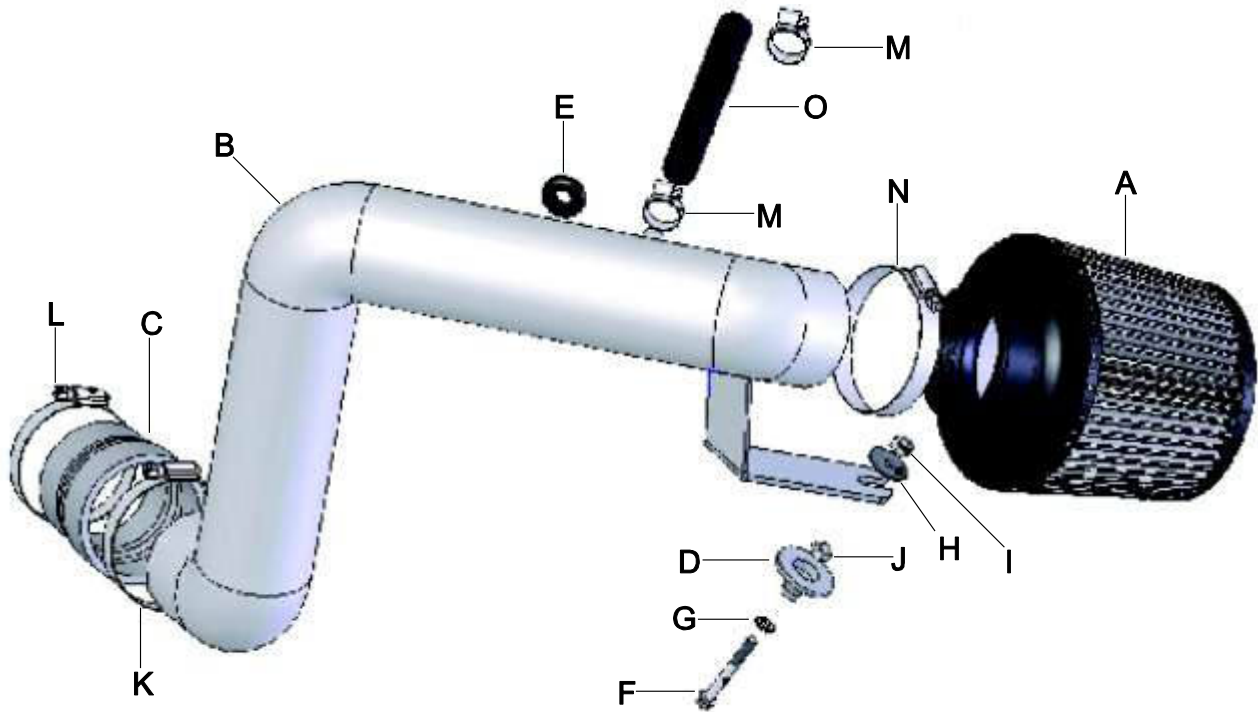
PART NUMBER: 21-8217

2007-2010	DODGE	Caliber	L4-2.0L, L4-2.4L	C.A.R.B. E.O. # D-670-6
2007-2010	JEEP	Compass	L4-2.0L, L4-2.4L	C.A.R.B. E.O. # D-670-6
2007-2010	JEEP	Patriot	L4-2.0L, L4-2.4L	C.A.R.B. E.O. # D-670-6

* **NOTE:** Legal in California only for racing vehicles which may never be used upon a highway

PARTS LIST

	Description	Qty.	Parts List
A	Element 2.75 X 5" Dry Ele.	1	21-202DK
B	Inlet Pipe	1	2-82171
C	Hose, Adapter 2.50/2.75 X 3" Bl.	1	5-257
D	Stand, Aluminum	1	2-670
E	Grommet, 1/2"	1	784634
F	Bolt, Hex 1/4-20 X 1 3/4	1	1-2072
G	Washer, 1/4 SAE Flat	1	1-3028
H	Washer, 6mm Soft Mount	1	08160
I	Nut, 1/4-20 Nylock	1	1-2074
J	Nut, 1/4-20	1	1-2073
K	1/2" Bnd. Hose Clamp, 2.31-3.25"	1	9444
L	1/2" Bnd. Hose Clamp, 2.15-3.00"	1	9440
M	Hose Clamp #6 Mini	2	08407
N	1/2" Bnd. Hose Clamp, 2.56"-3.50"	1	9448
O	Hose; 1/2"ID X 6"L	1	5-5006



Read and understand these instructions **BEFORE** attempting to install this product. Failure to follow installation instructions and not using the provided hardware may damage the intake tube, throttle body and engine.

1. Preparing Vehicle

- a. Make sure vehicle is parked on level surface.
- b. Set parking brake.
- c. If engine has run in the past two hours, let it cool down.
- d. Disconnect negative battery terminal.
- e. Do not discard stock components after removal of the factory system.

2. Removal of stock system



a. Remove the engine cover by pulling straight up.



b. Twist and remove the retaining clips. Remove ducting by pulling up and forward.



c. Loosen the hose clamp at the air box inlet.



d. Loosen the inlet tube's hose clamp at the throttle body. Loosen the inlet resonator tube mounting bolt; this is located near the throttle body.



e. Remove the intake air temperature (IAT) sensor harness connector. Pull the tab out and then depress the clip to remove.



f. Remove the tree mount zip tie from the inlet tubing. Remove the inlet tube and the IAT sensor.



g. Disconnect the crank case breather hose from the valve cover. The other end will be connected to the air box. Unclasp the air box and remove the inner housing, air filter and breather hose.



h. Pull up on the other half of the air box and remove the air box.

3. Installation of AEM® intake system.

- a. When installing the intake system, do not completely tighten the hose clamps or mounting hardware until instructed to do so.



b. Attach the reducer coupler to the throttle body. Secure with the 2.5" hose clamp. Loosely attach the hose clamp to the other side of the coupler.



c. Insert the supplied grommet for the IAT sensor into the inlet pipe.



d. Insert the threaded bolt and a 1/4" washer up through the air box mount grommet.



e. Insert the spacer over the bolt. Secure the threaded bolt with the provided nut. Center the spacer in the grommet and tighten.



f. Insert the IAT sensor into the grommet from step 3c.



g. Insert the intake pipe as shown. Line up the pipe's bracket with the spacer assembly.



h. Insert the other end of the inlet pipe into the coupler at the throttle body. Realign the bracket and secure the hose clamp.



i. Attach the air filter. Check for clearance and secure hose clamp.



j. Check for clearance of the inlet pipe around the coolant hose. Tighten the bracket with a washer and a lock nut.



k. Reattach the IAT sensor wire harness connector. Check for clearance around the negative battery terminal.



l. Attach the breather hose as shown to the inlet pipe and to the crank case vent. Secure with hose clamps.



m. Secure both breather hoses with the factory clip (if equipped). Reinstall the engine cover.



AEM® intake system installed

4. Reassemble Vehicle

- a. Position the inlet pipes for the best fitment. Be sure that the pipes or any other components do not contact any part of the vehicle. Tighten the rubber mount, all bolts, and hose clamps.
- b. Check for proper hood clearance. Re-adjust pipes if necessary and re-tighten them.
- c. Inspect the engine bay for any loose tools and check that all fasteners that were moved or removed are properly tightened.
- d. Reconnect the negative battery terminal and start engine. Let the vehicle idle for 3 minutes. Perform a final inspection before driving the vehicle.

5. CARB Sticker Placement

- a. The C.A.R.B. exemption sticker, (attached), must be visible under the hood so that an emissions inspector can see it when the vehicle is required to be tested for emissions. California requires testing every two years, other states may vary.

6. Service and Maintenance

- a. AEM Induction Systems requires cleaning the intake system's air filter element every 100,000 miles. When used in dusty or off-road environments, our filters will require cleaning more often. We recommend that you visually inspect your filter once every 25,000 miles to determine if the screen is still visible. When the screen is no longer visible some place on the filter element, it is time to clean it. To clean, purchase our Synthetic air filter cleaner, part number 99-0624 and follow the easy instructions.

b. Use window cleaner to clean your powder coated AEM® intake tube.

NOTE: DO NOT USE aluminum polish on powder coated AEM® intake tubes.

For technical inquiries
e-mail us at
sales@aemintakes.com
or
call us at
800.992.3000

AEM Air Intake System Warranty Policy

AEM® warrants that its intake systems will last for the life of your vehicle. AEM will not honor this warranty due to mechanical damage (i.e. improper installation or fitment), damage from misuse, accidents or flying debris. AEM will not warrant its powder coating if the finish has been cleaned with a hydrocarbon-based solvent. The powder coating should only be cleaned with a mild soap and water solution. Proof of purchase of both the vehicle and AEM intake system is required for redemption of a warranty claim.

This warranty is limited to the repair or replacement of the AEM part. In no event shall this warranty exceed the original purchase price of the AEM part nor shall AEM be responsible for special, incidental or consequential damages or cost incurred due to the failure of this product. Warranty claims to AEM must be transportation prepaid and accompanied with dated proof of purchase. This warranty applies only to the original purchaser of product and is nontransferable. Improper use or installation, use for racing, accident, abuse, unauthorized repairs or alterations voids this warranty. AEM disclaims any liability for consequential damages due to breach of any written or implied warranty on all products manufactured by AEM. Warranty returns will only be accepted by AEM when accompanied by a valid Return Merchandise Authorization (RMA) number. Credit for defective products will be issued pending inspection. Product must be received by AEM within 30 days of the date RMA is issued.

If you have a warranty issue, please call (800) 992-3000 and our customer service department will assist you. A proof of purchase is required for all AEM warranty claims.