



INSTALLATION INSTRUCTIONS

21-852C (Gun Metal Gray Finish)

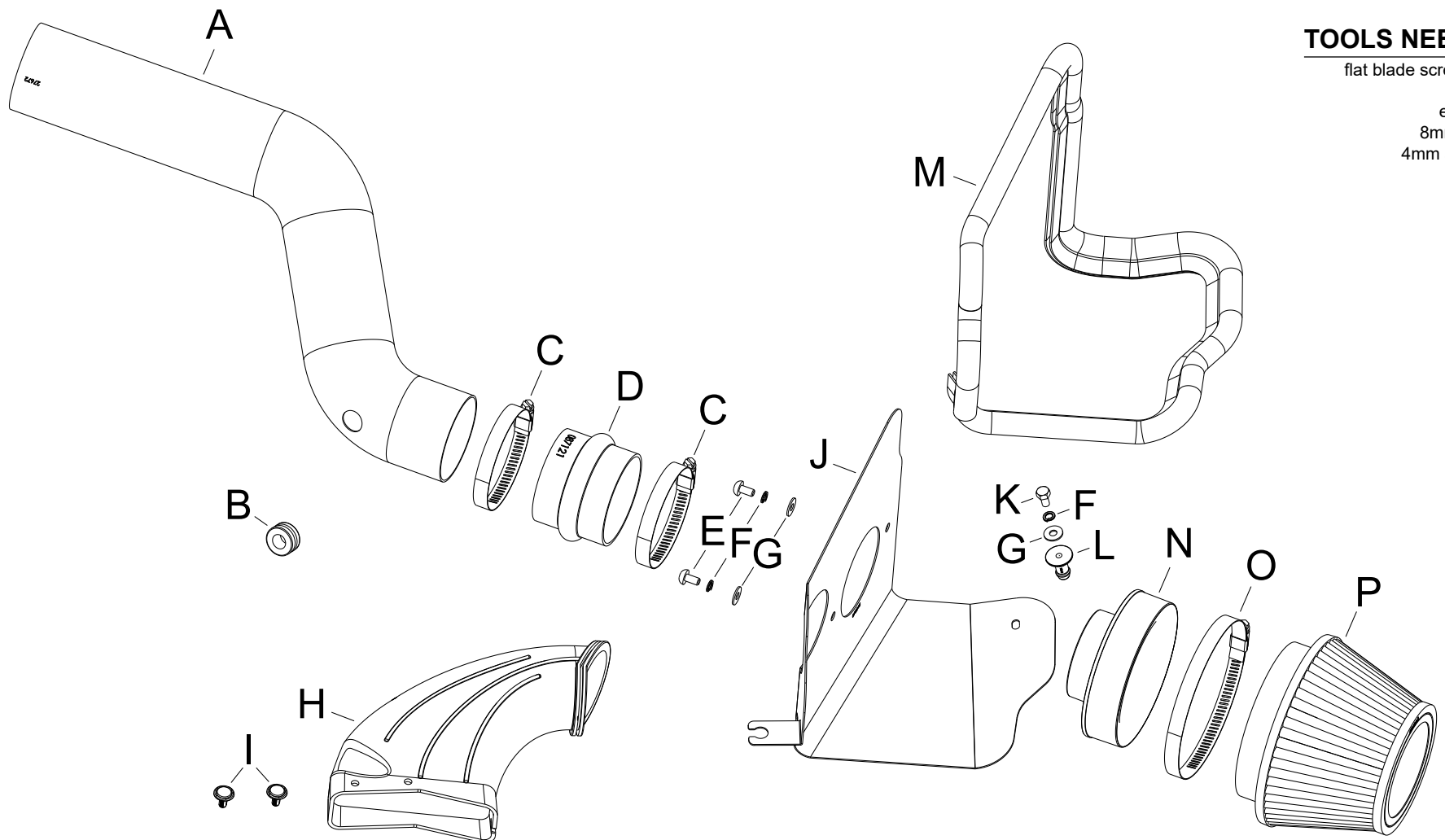
FORD

2016-18 Focus RS

L4-2.3L Ecoboost

NOT LEGAL FOR SALE OR USE ON ANY POLLUTION CONTROLLED MOTOR VEHICLE IN CALIFORNIA OR STATES ADOPTING CALIFORNIA EMISSION PROCEDURES.

See aemintakes.com for CARB status on each part for a specific vehicle



TOOLS NEEDED:

flat blade screw driver
ratchet
extension
8mm socket
4mm allen key

PARTS LIST:

Description	Qty.	Part #	Description	Qty.	Part #	Description	Qty.	Part #
A INTAKE TUBE	1	2-1624C	G WASHER; 6MM FLAT, SS	3	08269	M EDGE TRIM (46")	1	102487
B GROMMET; 1"OD, 1/2"ID, 1/2"	1	080544	H HOSE; FRESH AIR INTAKE	1	08669	N ADAPTER; FILTER, 3.0"OD	1	21569
C HOSE CLAMP #48	2	08601	I RIVET, TUFLOK, .246HL, .197	2	345010	O HOSE CLAMP; #80	1	08694
D HOSE; 3" ID X 2-1/2" L HUMP	1	087121	J HEAT SHIELD	1	073245	P FILTER	1	21-2073D
E BOLT; M6 X 1.00" 12MM, SS	2	07794	K BOLT; M6 X 1.00 X 12MM, SS	1	07727			
F WASHER, M6 SPLIT LOCK ZINC	3	1-3025	L MOUNT, PLASTIC AIRBOX	1	8-186-1			

If you need any assistance please call 1-800-858-3333 to speak with a representative in our Customer Service Center before returning the product.

Read and understand these instructions BEFORE attempting to install this product. Failure to follow installation instructions and not using the provided hardware may damage the intake tube, throttle body and engine.

TO START:

1. Turn off the ignition and disconnect the negative battery cable.
NOTE: Disconnecting the negative battery cable erases pre-programmed electronic memories. Write down all memory settings before disconnecting the negative battery cable. Some radios will require an anti-theft code to be entered after the battery is reconnected. The anti-theft code is typically supplied with your owner's manual. In the event your vehicles anti-theft code cannot be recovered, contact an authorized dealership to obtain your vehicles anti-theft code.



2. Lift off the engine cover and remove it from the vehicle.



3. Remove the bolt securing the factory intake tube to the engine shown. Next loosen the hose clamps and unhook the vent line from the intake tube and remove the intake tube from the vehicle.



4. Disconnect the inlet air temperature sensor electrical connection.



5. Release the inlet air duct from the air box.



6. Lift and dislodge the air box from its mounting grommets and then remove the air box from the vehicle.



7. Remove the inlet air duct from the core support.



8. Install the filter adapter into the heat shield and secure with the provided hardware.



9. Install the provided edge trim onto the heat shield.

NOTE: Some trimming of the edge trim will be necessary.



10. Install the heat shield mounting stud onto the heat shield and secure with the provided hardware.



11. Remove the inlet air temperature sensor and mounting post from the factory air box.



12. Install the mounting post from the previous step onto the AEM® heat shield as shown.



13. Install the heat shield assembly into the vehicle so the mounting studs insert into the grommets.



14. Install the provided coupler hose (087121) onto the filter adapter and secure with the provided hose clamp.



15. Install the grommet provided and the factory inlet air temperature sensor into the AEM® intake tube as shown.

NOTE: Remove the O-Ring from the inlet temperature sensor before installing it into the grommet.



16. Unhook the wiring harness clip from the mounting stud, route the harness next to the coil and fuel line and secure the harness to the fuel line with the provided tie wrap.



17. Install the AEM® intake tube into the factory coupler and then into the AEM® coupler, adjust the tube for best fit and then secure with the provided hose clamps.



18. Reconnect the inlet air temperature sensor electrical connection.



19. Install the AEM® air filter onto the filter adapter and secure with the provided hose clamp.



20. Install the AEM® fresh air duct onto the core support and into the AEM® heat shield.



21. Using the Fresh air duct as a guide, mark the two hole locations onto the fresh air duct in the core support. Next remove the AEM® fresh air duct and drill two 1/4" id holes into the factory fresh air duct at the marked locations.



22. Remove the two clips from the factory inlet air hose.



23. Install the two clips from the previous step onto the AEM® fresh air duct in the same position as the factory.



24. Install the AEM® fresh air duct into the heat shield and core support as shown and secure with the two provided retaining clips.
NOTE: be sure to check the hood release cable to see if it became unhooked during the duct assembly and attach if necessary.



25. Reinstall the engine cover.



Reassemble Vehicle

Position the inlet pipes for the best fitment. Be sure that the pipes or any other components do not contact any part of the vehicle. Tighten the rubber mount, all bolts, and hose clamps. Check for proper hood clearance. Re-adjust pipes if necessary and re-tighten them. Inspect the engine bay for any loose tools and check that all fasteners that were moved or removed are properly tightened. Reconnect negative battery terminal and start engine. Let the vehicle idle for 3 minutes. Perform a final inspection before driving the vehicle.

Service and Maintenance

AEM Induction Systems requires cleaning the intake system's air filter element every 100,000 miles. When used in dusty or off-road environments, our filters will require cleaning more often. We recommend that you visually inspect your filter once every 25,000 miles to determine if the screen is still visible. When the screen is no longer visible some place on the filter element, it is time to clean it. To clean, purchase our Synthetic air filter cleaner, part number 99-0624 and follow the easy instructions. Use window cleaner to clean your powder coated AEM® intake tube.

NOTE: DO NOT USE aluminum polish on powder coated AEM® intake tubes.

NOT LEGAL FOR SALE OR USE ON ANY POLLUTION CONTROLLED MOTOR VEHICLE IN CALIFORNIA OR STATES ADOPTING CALIFORNIA EMISSION PROCEDURES.

See aemintakes.com for CARB status on each part for a specific vehicle

AEM Air Intake System Warranty Policy

AEM® warrants that its intake systems will last for the life of your vehicle. AEM will not honor this warranty due to mechanical damage (i.e. improper installation or fitment), damage from misuse, accidents or flying debris. AEM will not warrant its powder coating if the finish has been cleaned with a hydrocarbon-based solvent. The powder coating should only be cleaned with a mild soap and water solution. Proof of purchase of both the vehicle and AEM intake system is required for redemption of a warranty claim.

This warranty is limited to the repair or replacement of the AEM part. In no event shall this warranty exceed the original purchase price of the AEM part nor shall AEM be responsible for special, incidental or consequential damages or cost incurred due to the failure of this product. Warranty claims to AEM must be transportation prepaid and accompanied with dated proof of purchase. This warranty applies only to the original purchaser of product and is nontransferable. Improper use or installation, use for racing, accident, abuse, unauthorized repairs or alterations voids this warranty. AEM disclaims any liability for consequential damages due to breach of any written or implied warranty on all products manufactured by AEM. Warranty returns will only be accepted by AEM when accompanied by a valid Return Merchandise Authorization (RMA) number. Credit for defective products will be issued pending inspection. Product must be received by AEM within 30 days of the date RMA is issued.

If you have a warranty issue, please call (800) 992-3000 and our customer service department will assist you. A proof of purchase is required for all AEM warranty claims.