



## INTAKE SYSTEM

# INSTALLATION INSTRUCTIONS

### 21-877C MAZDA 2019-23 / 3 L4-2.5L TUBRO

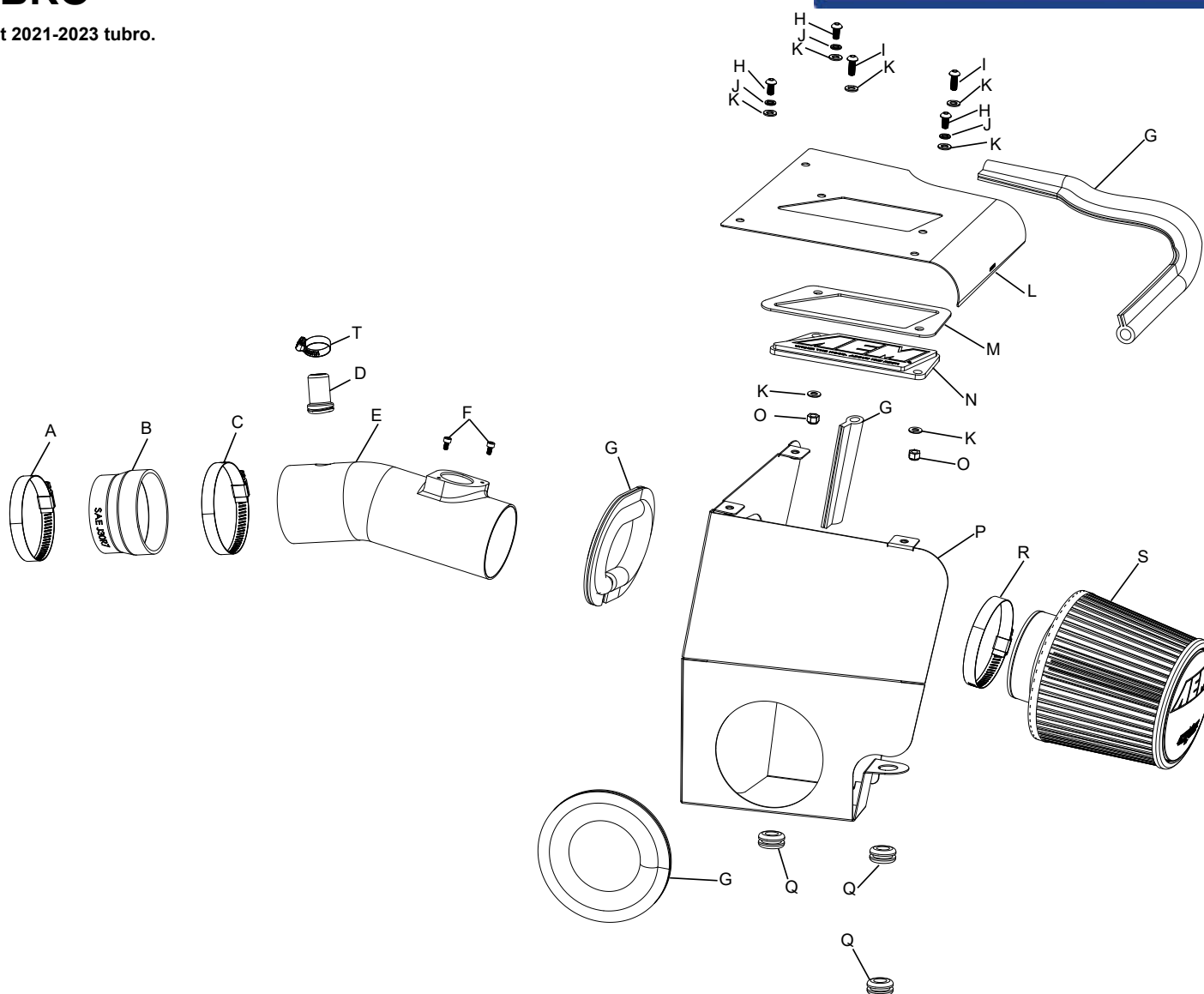
NOTE: This kit will not fit 2021-2023 turbo.

NOT LEGAL FOR SALE OR USE ON ANY POLLUTION CONTROLLED MOTOR VEHICLE IN CALIFORNIA OR STATES ADOPTING CALIFORNIA EMISSION PROCEDURES.

See [aemintakes.com](http://aemintakes.com) for CARB status on each part for a specific vehicle

#### TOOLS NEEDED:

Ratchet  
Extension  
10mm socket  
Flat blade screw driver  
3mm allen key  
Phillips screw driver  
Cutters



#### PARTS LIST:

Description	Qty.	Part #	Description	Qty.	Part #	Description	Qty.	Part #
A HOSE CLAMP #44	1	08577	H BOLT; M6-1 X 12MM BTNHD	3	07794	O NUT; 6MM NYLOCK, HEXHD	2	07512
B HOSE; 3" TO 2.75"ID X 2"L	1	084036	I SCREW; M6 X 20MM BTNHD	2	KIT20BHC3060	P HEAT SHIELD	1	073305
C HOSE CLAMP #48	1	08601	J WASHER; M6 SPLIT LOCK ZINC	3	1-3025	Q GROMMET; 1"OD, 1/2"ID	3	08064
D ADAPTER; PCV	1	8-168	K WASHER; 6MM FLAT	7	08269	R 1/2" BNDHOSE CLAMP	1	9452
E TUBE; 3"OD X 9"L, (AL)	1	25838C	L LID; STL	1	073306	S AIR FILTER	1	21-203DK
F BOLT; M4-.7 X 8MM, ALNHD	2	07733	M SPACER; CLEAR BADGE	1	7-364	T HOSE CLAMP; #6 MINI	1	08407
G EDGE TRIM; (55"L)	1	102480A	N PLATE; AEM LOGO CLEAR	1	8-211-1			

If you need any assistance please call 1-800-858-3333 to speak with a representative in our Customer Service Center before returning the product.

Read and understand these instructions **BEFORE** attempting to install this product. Failure to follow installation instructions and not using the provided hardware may damage the intake tube, throttle body and engine.

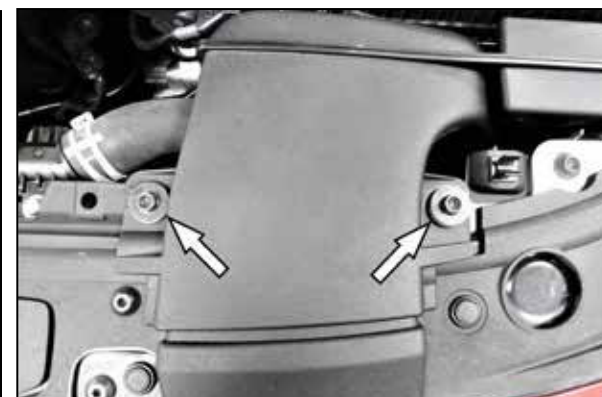
#### TO START:

1. Turn off the ignition and disconnect the negative battery cable.

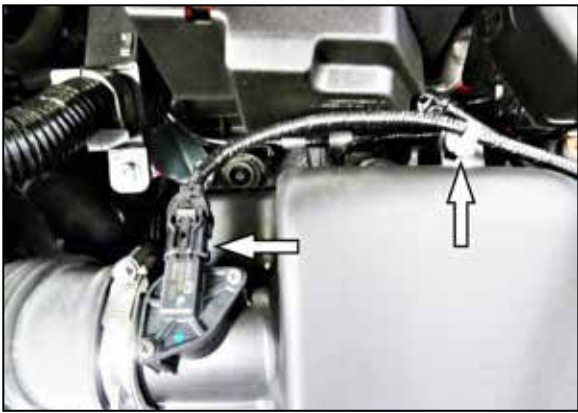
**NOTE: Disconnecting the negative battery cable erases pre-programmed electronic memories. Write down all memory settings before disconnecting the negative battery cable. Some radios will require an anti-theft code to be entered after the battery is reconnected. The anti-theft code is typically supplied with your owner's manual. In the event your vehicles anti-theft code cannot be recovered, contact an authorized dealership to obtain your vehicles anti-theft code.**



2. Pull straight up on the engine cover to remove it from the engine.



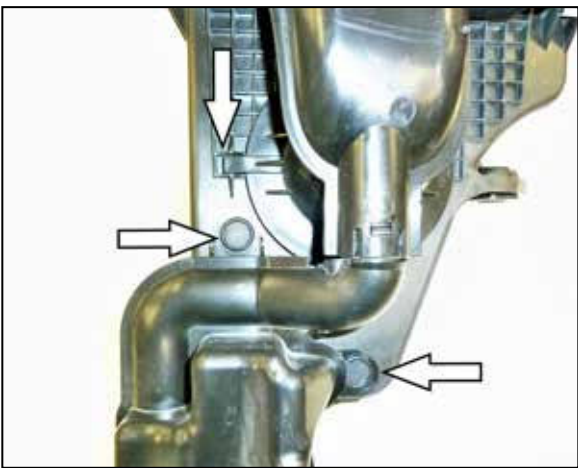
3. Remove the two bolts that secure the fresh air intake duct.



4. Disconnect the maf sensor electrical connection and unhook the wiring harness from the air filter housing.



5. Loosen the hose clamp that secures the intake hose to the throttle body and then disconnect the CCV pipe from the intake hose. Lift the complete intake assembly up and remove it from the vehicle.



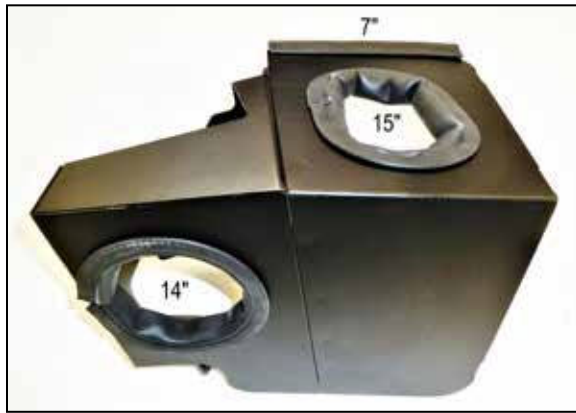
6. Remove the two push-pins that secure the fresh air duct to the air filter housing, release the locking tab and then rotate the duct counter clockwise to remove it from the air filter housing.



7. Install the three provided grommets into the heat shield as shown.



8. Cut the provided edge trim into four sections as shown.



9. Install the shorter edge trim into the heat shield as shown.



10. Install the factory fresh air intake duct into the heat shield assembly as shown.



11. Install the heat shield assembly into the vehicle so the grommets engage the mounting studs. Secure the fresh air duct to the core support with the factory bolts.



12. Install the provided coupler onto the throttle body and secure with the provided hose clamp.



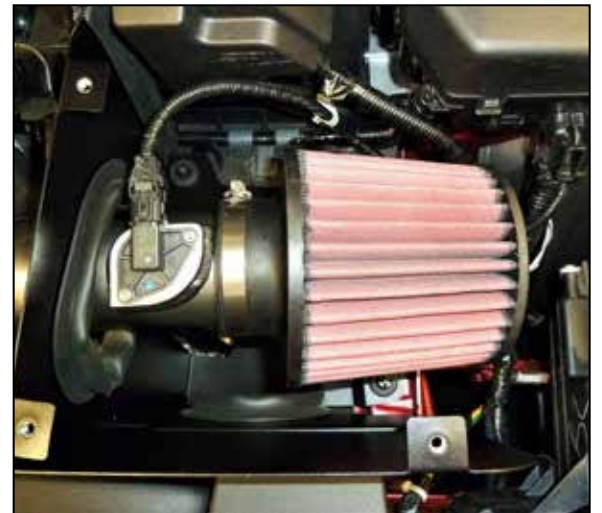
13. Remove the maf sensor from the factory air filter housing and then install it into the K&N intake tube. Install the provided ccv grommet into the intake tube and then install the provided TYPHOON decal.



14. Install the K&N intake tube assembly through the heat shield and into the coupler at the throttle body, adjust the tube for best fit and then secure with the provided hose clamp.



15. Install the factory ccv pipe into the grommet installed into the K&N intake tube.



16. Install the AEM air filter onto the intake tube and secure with the provided hose clamp. Reconnect the maf sensor electrical connection.



17. Install the last edge trim onto the heat shield lid as shown. Install the AEM window into the lid and secure with the provided hardware.



18. Reinstall the engine cover.

#### Reassemble Vehicle

Position the inlet pipes for the best fitment. Be sure that the pipes or any other components do not contact any part of the vehicle. Tighten the rubber mount, all bolts, and hose clamps. Check for proper hood clearance. Re-adjust pipes if necessary and re-tighten them. Inspect the engine bay for any loose tools and check that all fasteners that were moved or removed are properly tightened. Reconnect negative battery terminal and start engine. Let the vehicle idle for 3 minutes. Perform a final inspection before driving the vehicle.

#### Service and Maintenance

AEM Induction Systems requires cleaning the intake system's air filter element every 100,000 miles. When used in dusty or off-road environments, our filters will require cleaning more often. We recommend that you visually inspect your filter once every 25,000 miles to determine if the screen is still visible. When the screen is no longer visible some place on the filter element, it is time to clean it. To clean, purchase our Synthetic air filter cleaner, part number AEM-1-1000 and follow the easy instructions. Use window cleaner to clean your powder coated AEM® intake tube.

**NOTE: DO NOT USE aluminum polish on powder coated AEM® intake tubes.**

NOT LEGAL FOR SALE OR USE ON ANY POLLUTION CONTROLLED MOTOR VEHICLE IN CALIFORNIA OR STATES ADOPTING CALIFORNIA EMISSION PROCEDURES.

See [aemintakes.com](http://aemintakes.com) for CARB status on each part for a specific vehicle

#### AEM Air Intake System Warranty Policy

AEM® warrants that its intake systems will last for the life of your vehicle. AEM will not honor this warranty due to mechanical damage (i.e. improper installation or fitment), damage from misuse, accidents or flying debris. AEM will not warrant its powder coating if the finish has been cleaned with a hydrocarbon-based solvent. The powder coating should only be cleaned with a mild soap and water solution. Proof of purchase of both the vehicle and AEM intake system is required for redemption of a warranty claim.

This warranty is limited to the repair or replacement of the AEM part. In no event shall this warranty exceed the original purchase price of the AEM part nor shall AEM be responsible for special, incidental or consequential damages or cost incurred due to the failure of this product. Warranty claims to AEM must be transportation prepaid and accompanied with dated proof of purchase. This warranty applies only to the original purchaser of product and is nontransferable. Improper use or installation, use for racing, accident, abuse, unauthorized repairs or alterations voids this warranty. AEM disclaims any liability for consequential damages due to breach of any written or implied warranty on all products manufactured by AEM. Warranty returns will only be accepted by AEM when accompanied by a valid Return Merchandise Authorization (RMA) number. Credit for defective products will be issued pending inspection. Product must be received by AEM within 30 days of the date RMA is issued.

If you have a warranty issue, please call (800) 992-3000 and our customer service department will assist you. A proof of purchase is required for all AEM warranty claims.