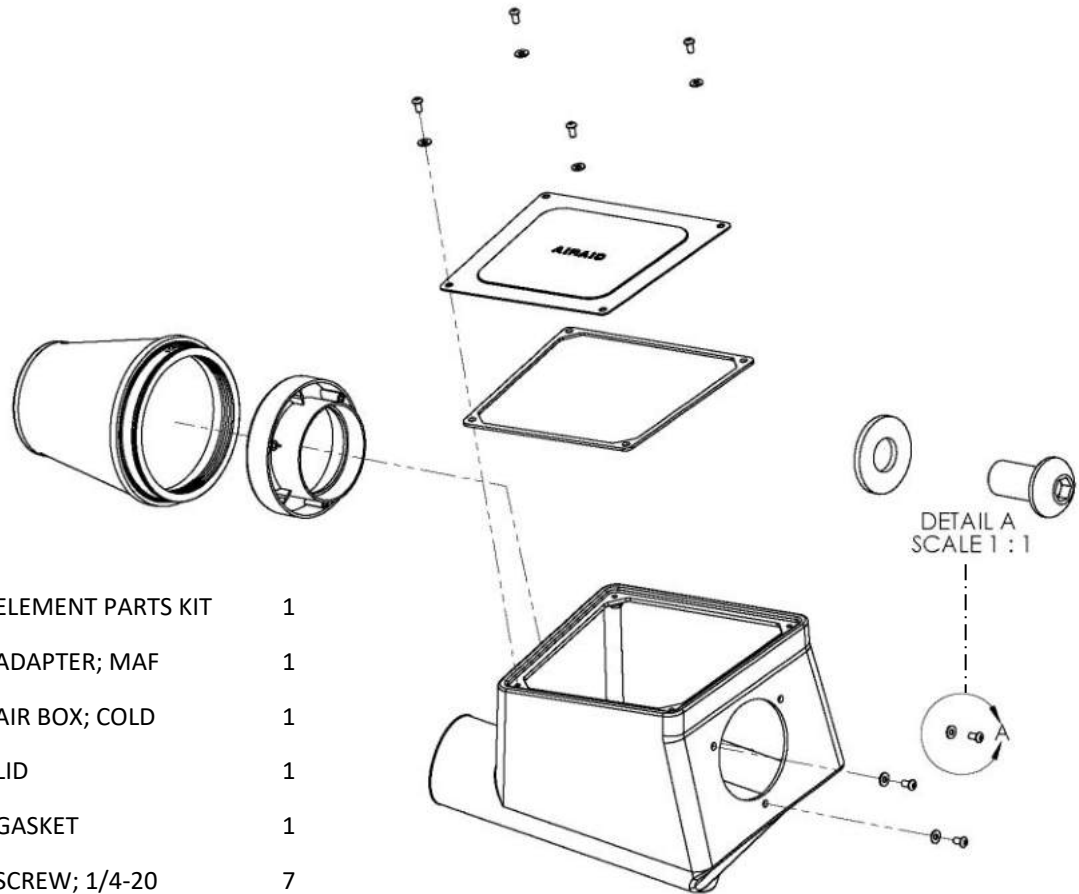


Airaid

100-262 U.B.I. Universal Air Box



A	700-462F	ELEMENT PARTS KIT	1
B	KIT1121MAFADA	ADAPTER; MAF	1
C	KIT301CAB	AIR BOX; COLD	1
D	KIT301LID	LID	1
E	KIT301G	GASKET	1
F	KIT15DHC3050	SCREW; 1/4-20	7
G	08275	WASHER; 1/4"ID	7

Create the U.B.I. Air Box assembly using the exploded view as a guide. Mounting holes can be drilled in any location as needed. 3/8" or 8mm hardware with flat washers is recommended but not required.

The Airaid U.B.I. Universal Air Box is a component, not a complete kit and is intended to be used with other U.B.I components. A complete list of components can be viewed at www.AIRaid.com.

The air filter element should be protected from direct exposure to water and debris; care should be taken not to drive through deep water. WATER INGESTION IS THE DRIVERS RESPONSIBILITY!

Thank you for purchasing the Airaid U.B.I. component. Contact Airaid @ (800) 498-6951 8:00 AM - 5:00 PM MST weekdays for questions regarding fit or instructions that are not clear to you. Your Airaid product was carefully inspected and packaged. Check that no parts are missing, or were damaged during shipping. If any parts are missing, contact Airaid. The air filter is reusable and should be cleaned periodically.