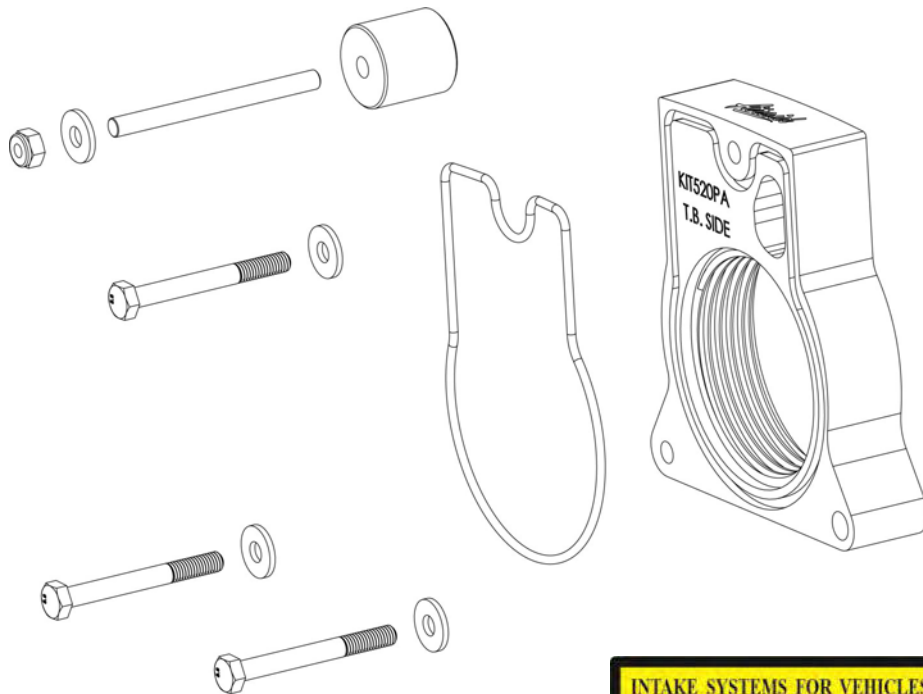




200-520 INSTALLATION INSTRUCTIONS 96-00 Chevrolet/GMC C/K 5.0, 5.7L Vortec "Classic"

Thank you for purchasing the Airaid Throttle Body Spacer. Please read the instruction manual carefully before proceeding with the installation. Your Airaid Throttle Body Spacer was carefully inspected and packaged. Check that no parts are missing, or were damaged during shipping. If you need any assistance please call 1-800-858-3333 to speak with a representative in our Customer Service Center before returning the product.

Thank you for selecting AIRAID.



INTAKE SYSTEMS FOR VEHICLES LISTED ARE 50 STATE LEGAL. SEE AIRAID.COM FOR CARB STATUS ON EACH PART FOR A SPECIFIC VEHICLE.

Parts List		
AIR-KIT520PA	Aluminum Plate	(1)
AIR-KIT520H	Hardware	
	6mm x 60mm Bolts	(3)
	6mm Flat Washers	(4)
	6mm x 3 1/2" Stud	(1)
	6mm nut	(1)
	Spacer 1 5/16" long	(1)
	"O" Ring .138 diameter	(1)

* Also available for your 96-00 Chevrolet/ GMC 5.7L Vortec- The Airaid Intake System P/N 200-102.

Call for details!

Tools List
10 mm Socket
10mm Wrench
Flat Head Screwdriver

Installation Instructions. Read Me!

1. **DISCONNECT NEGATIVE (-) BATTERY CABLE.**
2. Remove air cleaner housing from throttle body.
3. Using 10mm socket, remove (2) stud nuts from front side of throttle body. (Ref. "C")
4. Remove air cleaner housing riser and (1) stud nut from backside of throttle body. (Ref. "D", Fig. 3)
5. Remove throttle linkage bracket and (1) stud nut (Ref. "B")
6. Remove stud from stud nut. Install stud supplied with parts kit. (Fig. 2 & 3)
7. Lift throttle body and locate power plate with "O" ring up and reinstall using (Ref. "C") & (Ref. "D") as examples.
8. Install (1) 1 5/16" long spacer under throttle linkage bracket (Ref. "B")
9. Inspect & Test throttle linkage for full Open & Closed travel before driving. Some cruise or kickdown cables may require adjustment. Please refer to service manual for proper adjustment.
10. Reinstall air cleaner housing using step 3 as an example.
11. Reconnect battery cable. Enjoy!

The sound of power...The "whistle" means its working!



Figure 1

Ref. C- (2) 6mm x 60mm Bolts
(2) 6mm Flat Washers

Ref. A- (1) Power Plate

Ref. B- (1) 1 5/16" long Spacer
(1) 6mm x 60mm Bolt
(1) 6mm Flat Washer

Ref. D- (1) 6mm x 3 1/2" stud
(1) Flat Washer
(1) 6mm nut

Figure 2



Separates



Figure 3

AIR-I20520D
Rev. 06.16.20