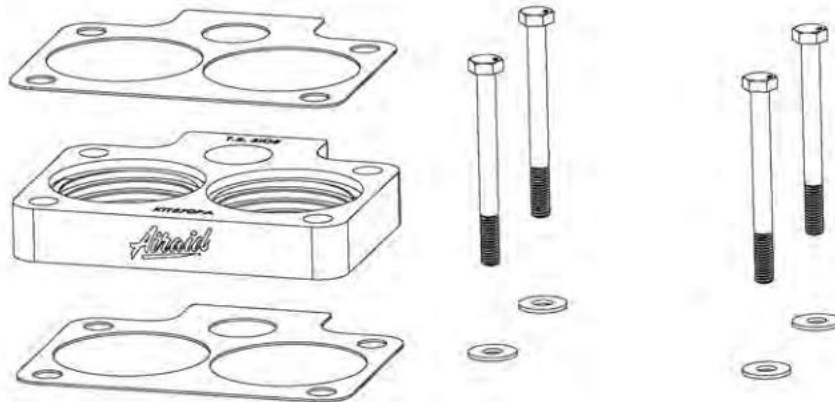




## # 300-570 INSTALLATION INSTRUCTIONS 97-03 Dodge Dakota/Durango 3.9, 5.2, 5.9L

Thank you for purchasing the Airaid Throttle Body Spacer. Please read the instruction manual carefully before proceeding with the installation. Contact AIRAID @ (800) 498-6951 8:00 AM - 5:00 PM MST Weekdays for questions regarding fit or instructions that are not clear to you. Your Airaid Throttle Body Spacer was carefully inspected and packaged. Check that no parts are missing, or were damaged during shipping. If any parts are missing, please contact AIRAID.

*Thank you for selecting AIRAID.*



**THROTTLE BODY SPACERS FOR VEHICLES LISTED ARE 50 STATE LEGAL. SEE AIRAID.COM FOR CARB STATUS ON EACH PART FOR A SPECIFIC VEHICLE.**

Also for your Dodge Dakota/Durango, the Airaid Intake System p/n 300-107. Call for details!

### Parts List

- (1) Power Plate (3/4" thick)
- (2) Gaskets
- (4) 5/16-18" x 3 1/4" Bolts
- (4) 5/16" Lock Washers

### Tools List

- 1/2" Socket
- Ratchet
- Standard Screwdriver

## ***Installation Instructions. Read Me!***

1. **DISCONNECT NEGATIVE (-) BATTERY CABLE.**
2. Remove air cleaner assembly.
3. Using 1/2" socket, remove (4) 5/16" bolts attaching throttle body to manifold.
4. Lift throttle body.
5. Remove old gasket and clean both throttle body and manifold surfaces.
6. Install power plate with (2) gaskets. (**Ref. "A"**)
  - A. Install one gasket between the throttle body and spacer.
  - B. Install second gasket between the spacer and intake manifold.
7. Install (4) bolts and lock washers (**Ref. "B"**) using **Step 3** as an example.
8. Inspect & Test throttle linkage for full Open & Closed travel before driving. Some cruise or kickdown cables may require adjustment. Please refer to your vehicles service manual for proper adjusting.
9. Reinstall air cleaner using **Step 2** as an example.
10. Reconnect battery cable. Enjoy!

***The sound of power...The "whistle" means its working!***

**Ref. "B"**- (4) 5/16-18" x 3 1/4" Bolts  
(4) 5/16" Lock Washers



**Ref. "A"**- (1) Spacer  
(2) Gaskets

AIR-I30570B  
Rev. 10.27.20