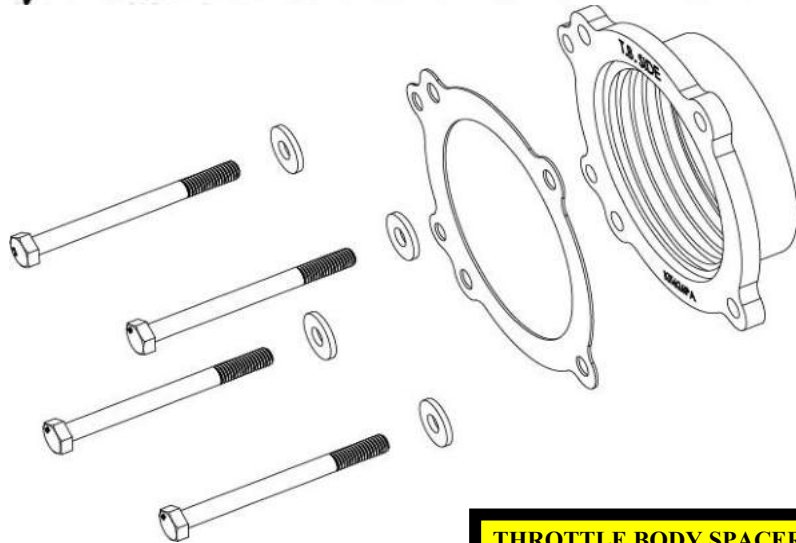




**Installation Instructions  
Part Number 300-626  
2008-2012 Dodge Ram  
4.7L V8**



**Parts List**

AIR-KIT626PA	Aluminum Plate	(1)
AIR-KIT626G	Gasket	(1)
AIR-KIT626H	Hardware	
	6mmx57mm Bolt	(4)
	6mm Flat Washer	(4)

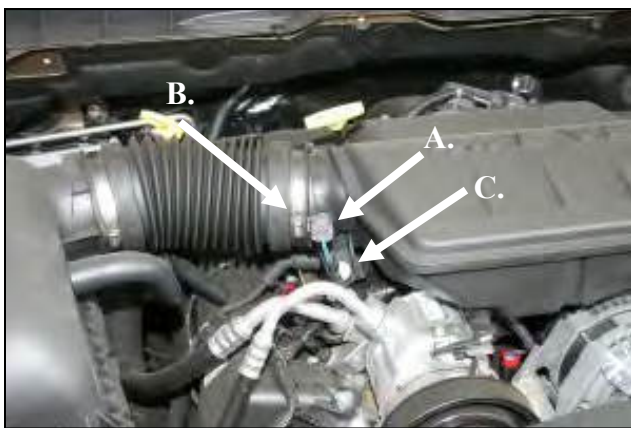
**Tools Required For Installation**

5/16", 10mm Socket  
Ratchet and Extension

**THROTTLE BODY SPACERS FOR VEHICLES LISTED ARE  
50 STATE LEGAL. SEE AIRAID.COM FOR CARB STATUS  
ON EACH PART FOR A SPECIFIC VEHICLE.**

Thank you for purchasing the Airaid Throttle Body Spacer. Please read the instruction manual carefully before proceeding with the installation. Your Airaid Throttle Body Spacer was carefully inspected and packaged. Check that no parts are missing, or were damaged during shipping. If you need any assistance please call 1-800-858-3333 to speak with a representative in our Customer Service Center before returning the product.

*Thank you for selecting AIRAID.*



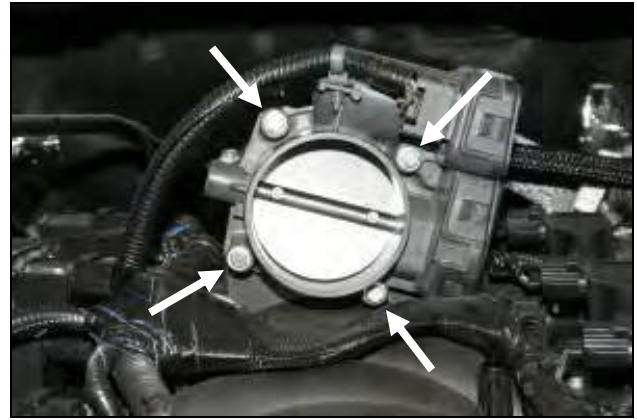
**1. Disconnect the negative battery cable!**

- A.) Disconnect the intake air temperature sensor.
- B.) Loosen the hose clamp that secures the flexible intake tube to the resonator.
- C.) Loosen the bolt that secures the resonator to the intake manifold. Remove the resonator from the vehicle by lifting up on the front, and then pulling it towards the front of the vehicle.

- 2. Remove the four bolts that secure the throttlebody to the intake manifold. Remove the throttlebody from the intake manifold and set it aside. (No need to disconnect the wiring harness.)



3. Install the Airaid Spacer into the intake manifold as shown. Make sure the spacer is seated correctly over the two alignment pins on the intake manifold. \*Note: Airaid spacer must be installed with bore protruding into intake manifold away from throttle body. Incorrect installation will hinder performance.



4. Install the provided bolts and washers thru the throttlebody and Airaid Spacer and tighten to the manufacturer's specifications.



5. Reinstall the resonator and tighten the bolt that secures it to the intake manifold. Reinstall the intake tube, tighten the hose clamp, and reconnect the intake temperature sensor.  
**Re-connect the negative battery cable!**

***The sound of power...The "whistle" means its working!***

Contact your nearest Airaid dealer for an Airaid Intake System  
for your car, truck or SUV.

AIR-I30626C  
Rev. 9/2/20

Airaid. 1455 Citrus St. Riverside, CA 92507 (800) 498-6951 [AiraidInfo@airaid.com](mailto:AiraidInfo@airaid.com) www.airaid.com