

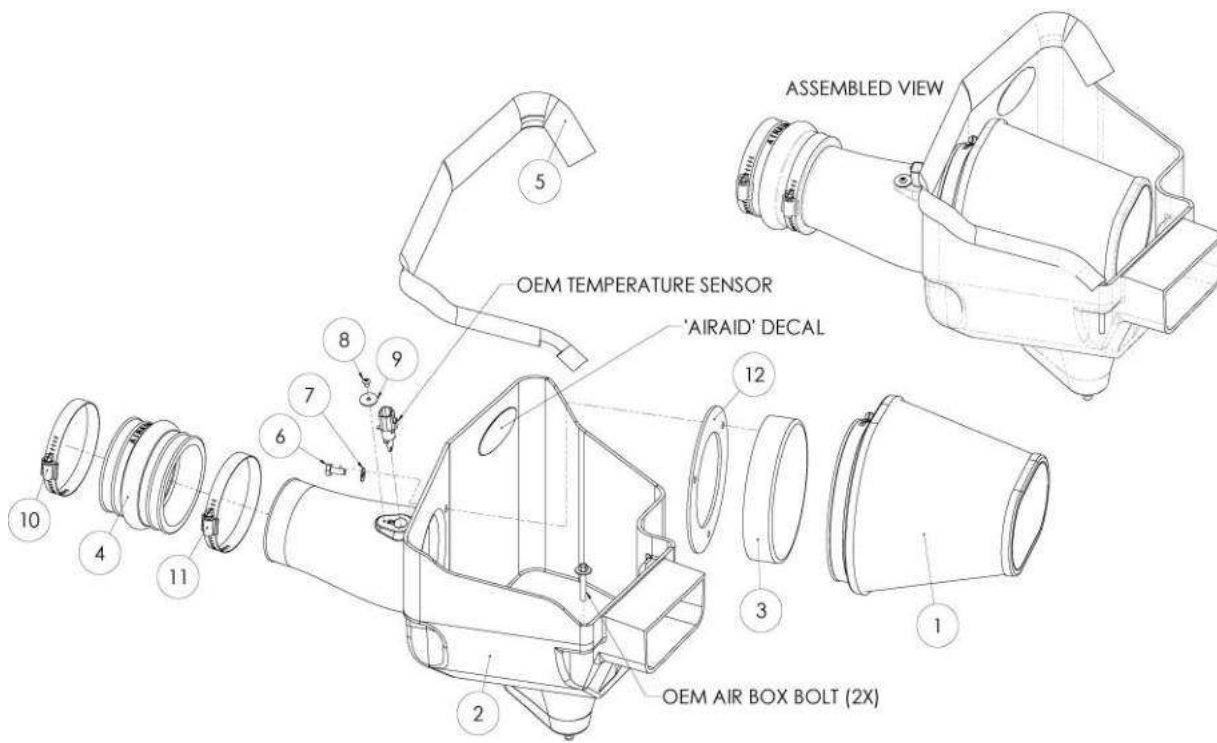


Installation Instructions For Part Numbers:

- | | |
|---------|--|
| 400-260 | 720-479 Airaid Oiled Media Filter |
| 401-260 | 721-479 SynthaMax Dry Media Filter - Red |
| 402-260 | 722-479 SynthaMax Dry Media Filter - Black |
| 403-260 | 723-479 SynthaMax Dry Media Filter - Blue |

2013-17 Ford Explorer Sport 3.5L V6 Eco-Boost

INTAKE SYSTEMS FOR VEHICLES LISTED ARE 50 STATE LEGAL. SEE AIRAID.COM FOR CARB STATUS ON EACH PART FOR A SPECIFIC VEHICLE.



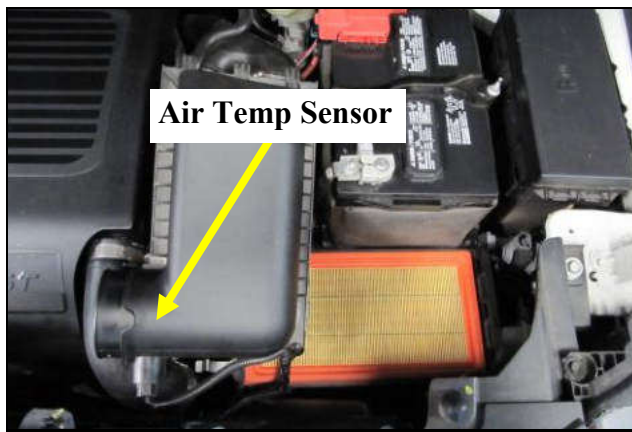
Component Identification

1. AIR-720-479	Airaid Premium Filter	1
2. AIR-KIT260CAB	Airaid Cool Air Box	1
3. AIR-KIT214FADA	Filter Adapter	1
4. AIR-KITHUMPHS11EPDM	Hump Hose Reducer	1
5. AIR-KITSTRIP22	Weather Strip 26 3/8"	1
6. AIR-KIT25C62HCSS	1/4-20x5/8" Hex Head Bolt	3
7. AIR-KIT09FWZ019	1/4" Flat Washer	3
8. AIR-KIT15BHC3016	8-32 x 1/4" Button Head	1
9. AIR-KITWASH02	#8 x 3/4" O.D. Flat Washer	1
10. 08620	#56 Hose Clamp	1
11. 08624	#60 Hose Clamp	1
12. AIR-KIT214G	Adapter Gasket	1
13. 21783	Wire Harness Extension	1
14. AIR-KIT110T	Black Zip Tie	1
15. 21860	Wire Harness Extension	1

Full color instructions can be viewed on our web site at Airaid.com. If you need any assistance please call 1-800-858-3333 to speak with a representative in our Customer Service Center before returning the product.



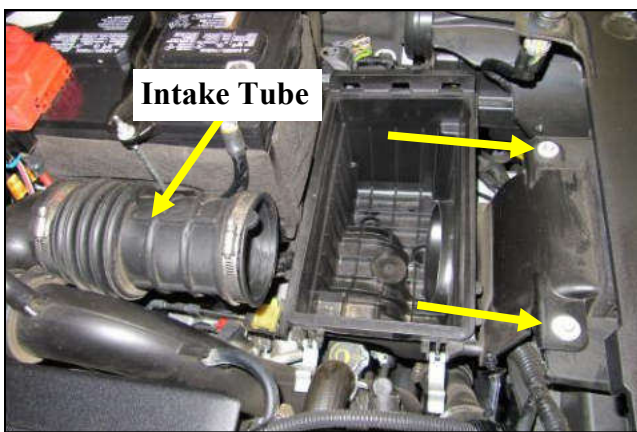
1. Disconnect the negative battery cable.
Loosen the clamp on the air box side of the intake tube.



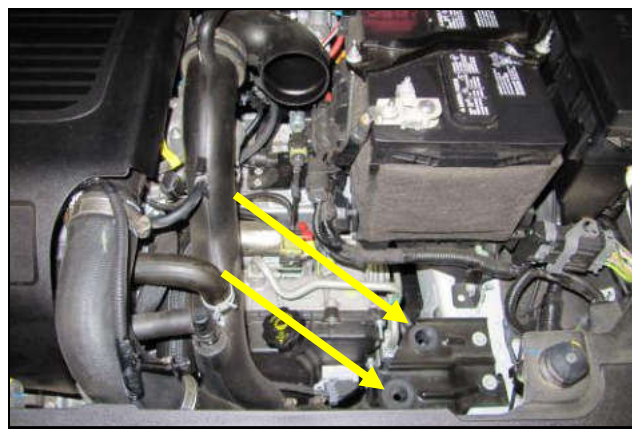
2. Unfasten the factory air box clips and separate the upper half of the air box from the intake assembly. Disconnect the air temperature sensor.



3. Using a pair of needle nose pliers, carefully compress the fins of the wiring harness anchor and pull it out of the air box lid.



4. Using an 8mm socket, remove the two factory air box bolts and set aside. They will be reused in step 11. Loosen the second intake tube clamp and remove it from the vehicle.



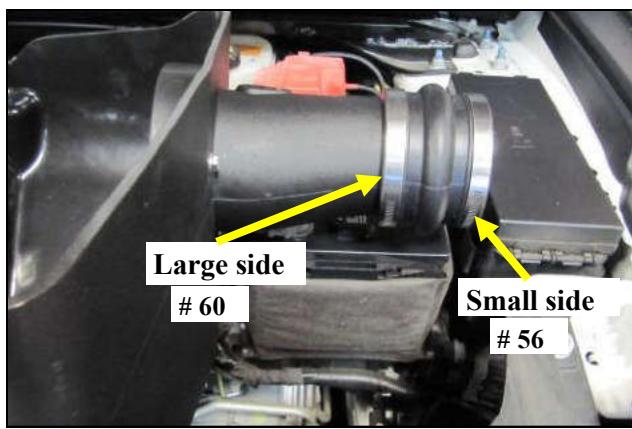
5. Remove the factory air box assembly from the vehicle. Be sure to retain the two air box mounting grommets.



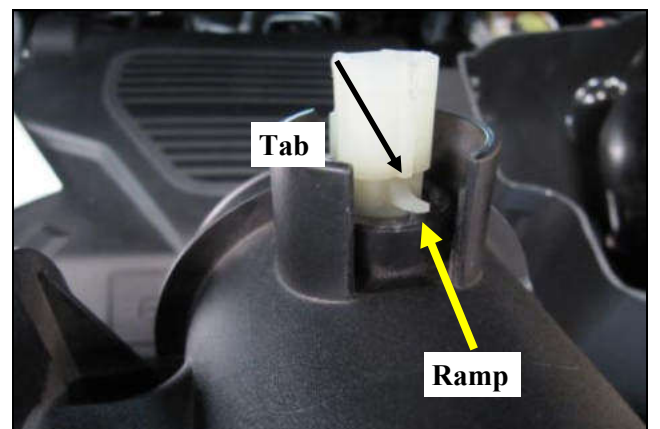
6. Prepare the Filter Adapter for installation by positioning the Adapter Gasket on the mounting side and lining up the holes.



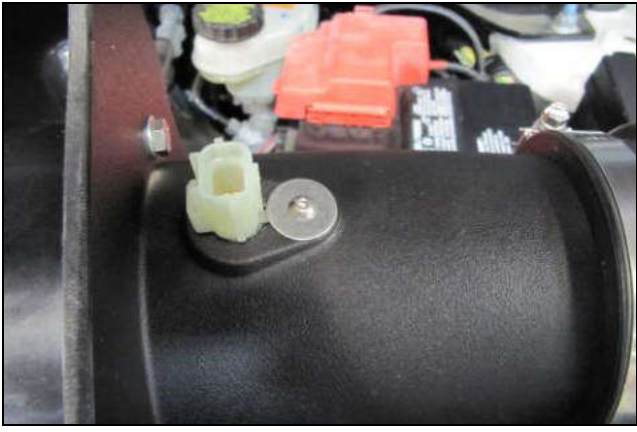
7. Install the Filter Adapter to the inside of the Cool Air Box, using the three 1/4"-20 hex head bolts and 1/4" flat washers. Apply the Airaid Bubble Decal inside the Airbox as shown.



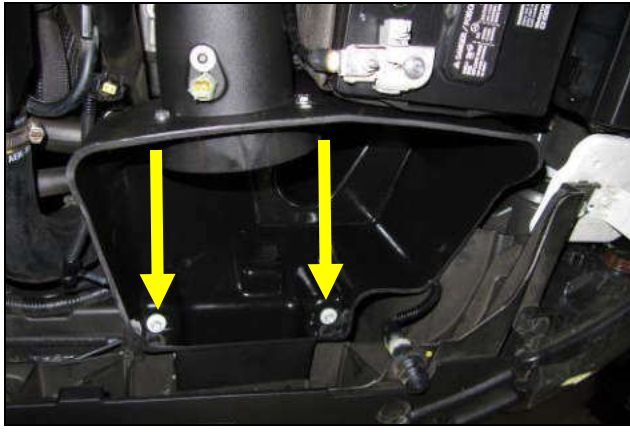
8. Install the Hump Hose, large side first onto the Intake tube. Loosely install the #56 Hose Clamp on the small side of the Hump Hose, and the #60 Hose Clamp on the Large side. Slide the Hump Hose and Clamps downward onto the tube, as far as it will go, creating a compact assembly as shown.



9. Remove the Air Temperature Sensor from the factory air box. Gently push back on the sensor so the locking tab will clear the ramp and rotate the sensor 1/4 turn counter clockwise. The sensor is now free and can be pulled out.



10. Transfer the factory Air Temperature Sensor into the Airaid Intake tube and align the sensor tab with the Groove in the tube. Secure the sensor to the tube using the 8-32 Button Head Bolt and the 3/4" washer.



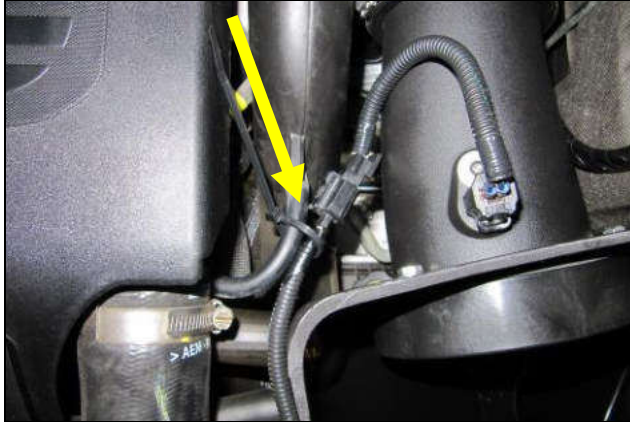
11. Place the Airaid Intake assembly in the original location of the Factory Air box and secure using the factory hardware from step 4. Slide the coupler and clamps onto 90 deg. Elbow pipe and tighten the clamps.



12. Slide the coupler and clamps onto 90 deg. Elbow pipe and tighten the clamps.



13. Connect the Wire Harness Extension to the air temperature sensor.



14. Plug the Harness Extension into the factory wire harness and secure it using the supplied Zip Tie. Trim the excess length.
NOTE: Use harness extension 21860 for model years 2013-16 and harness extension 21783 for 2017 model year.



15. Install the Airaid Premium filter onto the Filter Adapter and tighten the clamp. Install the weather strip onto the top of the Air box as shown, with the contour rolling away from the filter.

Make sure there is no foreign material in the intake path. Make sure all clamps, hoses, bolts, and screws are tight. Double check the hood clearance! Reconnect the negative battery cable!

Thank you for purchasing the Airaid Intake System. Contact Airaid @ (800) 498-6951 8:00 AM - 5:00 PM MST weekdays for questions regarding fit or instructions that are not clear to you. Your Airaid Intake System was carefully inspected and packaged. Check that no parts are missing, or were damaged during shipping. If any parts are missing, contact Airaid. The air filter element is protected from direct exposure to water and debris; care should be taken not to drive through deep water. WATER INGESTION IS THE DRIVERS RESPONSIBILITY! The air filter is reusable and should be cleaned periodically.

FILTER IDENTIFICATION

720-479 Airaid Oiled Media
722-479 Airaid SynthaMax Dry Media - Black

721-479 Airaid SynthaMax Dry Media - Red
723-479 Airaid SynthaMax Dry Media - Blue

For your Oiled media filter we suggest using the AIRAID Filter Tune-Up Kit!



P/N 790-551 Aerosol Spray
P/N 790-550 Squeeze Spray



INTAKE SYSTEMS FOR VEHICLES LISTED ARE 50 STATE LEGAL. SEE AIRAID.COM FOR CARB STATUS ON EACH PART FOR A SPECIFIC VEHICLE.

SynthaMax

Do Not Oil

Synthamax Air Filters do not require oil. Service air filter as needed by cleaning with common non-petroleum all-purpose household cleaner and water. Simple Green®, Formula 409® or equivalent works great. Apply cleaner to outside of air filter and allow to soak. Then flush filter clean from the inside out with a garden hose and repeat steps if necessary. Do not apply high pressure water or air to clean filter. Allow filter to air dry and reinstall.