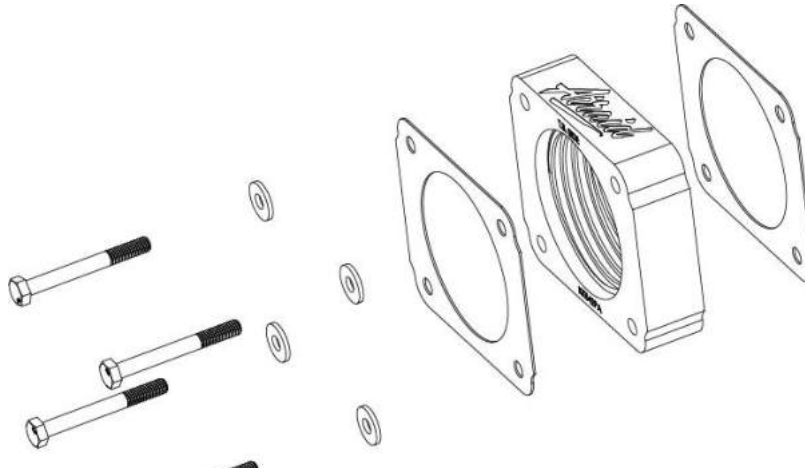




**# 400-542 INSTALLATION INSTRUCTIONS
04-06 Ford F-150 4.6L
(Does Not Fit 2004 F-150 Heritage Model)**

Thank you for purchasing the Airaid Throttle Body Spacer. Please read the instruction manual carefully before proceeding with the installation. Your Airaid Throttle Body Spacer was carefully inspected and packaged. Check that no parts are missing, or were damaged during shipping. If you need any assistance please call 1-800-858-3333 to speak with a representative in our Customer Service Center before returning the product.

Thank you for selecting AIRAID.



THROTTLE BODY SPACERS FOR VEHICLES LISTED ARE 50 STATE LEGAL. SEE AIRAID.COM FOR CARB STATUS ON EACH PART FOR A SPECIFIC VEHICLE.

*** Also available for your 04-06 Ford F-150 4.6L - the Airaid Intake System. Call for details!**

Parts List

AIR-KIT542PA	Aluminum Plate	(1)
AIR-KIT542G	Gasket	(2)
Air-KIT542H	Hardware	
	6mm x 70mm Bolts	(4)
	6mm Washers	(4)

Tools List

10mm Socket
Standard Screwdriver

Installation Instructions. Read Me!

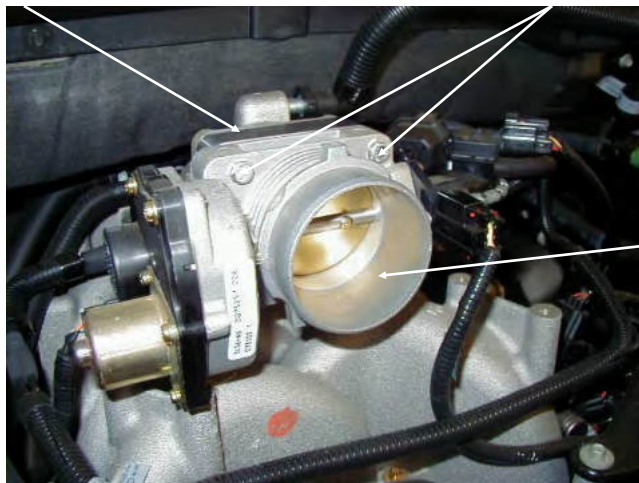
1. **DISCONNECT NEGATIVE (-) BATTERY CABLE.**
2. Remove throttle body intake assembly.
3. Remove (4) bolts from the throttle body. (Ref. "C")
4. Install the spacer using (2) gaskets. (Ref. "A" & "B")
 - A. Place one gasket between the throttle body and spacer.
 - B. Place second gasket between the spacer and manifold.

(On the 4.0L Mustang, use only one gasket between the throttle body and the Airaid spacer.)
5. Install (4) 6mm x 70mm bolts and (4) 6mm washers using Step 3 as an example. (Ref. "C")
6. Inspect & Test the throttle linkage for full Open & Closed travel before driving. Some cruise or kickdown cables may require adjustment. Please refer to your vehicles service manual for proper adjustment.
7. Reinstall the throttle body intake assembly using Step 2 as an example.
8. Reconnect negative battery cable. Enjoy!

The sound of power...The "whistle" means its working!

Ref. "B"- (1) Power Plate
(2) Gaskets

Ref. "C"- (4) 6mm x 70mm Bolts
(4) 6mm Washers



Ref. "A"- Throttle Body

AIR-I40542C
Rev. 09-18-20