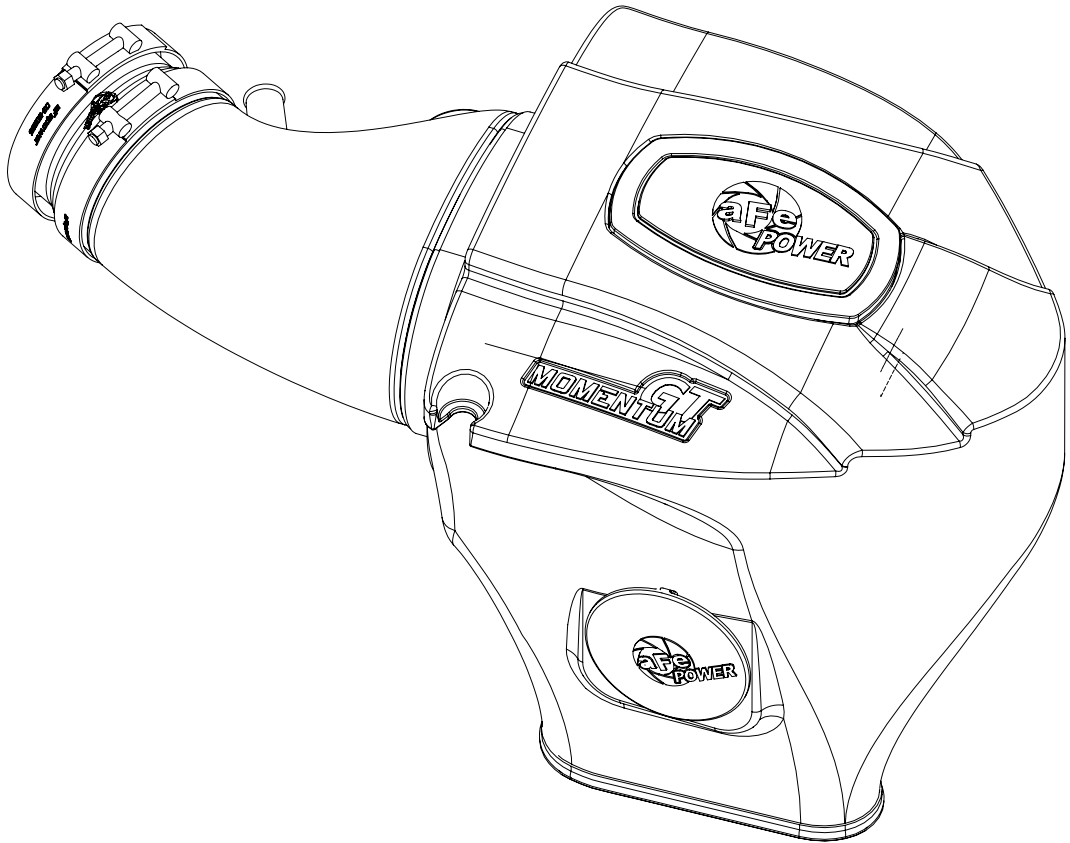


## **BLACK SERIES AIR INTAKE SYSTEM**



**advanced FLOW engineering** Black Series Cold Air Intake System

**Instruction Manual** P/N: 58-10003D / 58-10003R

Make: **Dodge**

Model: **Challenger SRT/SRT-8** Year: **2011-2020**

Engine: **V8-6.4L HEMI**

Make: **Dodge**

Model: **Charger SRT/SRT-8** Year: **2011-2020**

Engine: **V8-6.4L HEMI**

Make: **Chrysler**

Model: **300 SRT/SRT-8** Year: **2012-2014**

Engine: **V8-6.4L HEMI**



- Please read the entire instruction manual before proceeding.
- Ensure all components listed are present.
- If you are missing any of the components, call customer support at 951-493-7100.
- Ensure you have all necessary tools before proceeding.
- Do not attempt to work on your vehicle when the engine is hot.
- Disconnect the negative battery terminal before proceeding.
- Retain factory parts for future use.

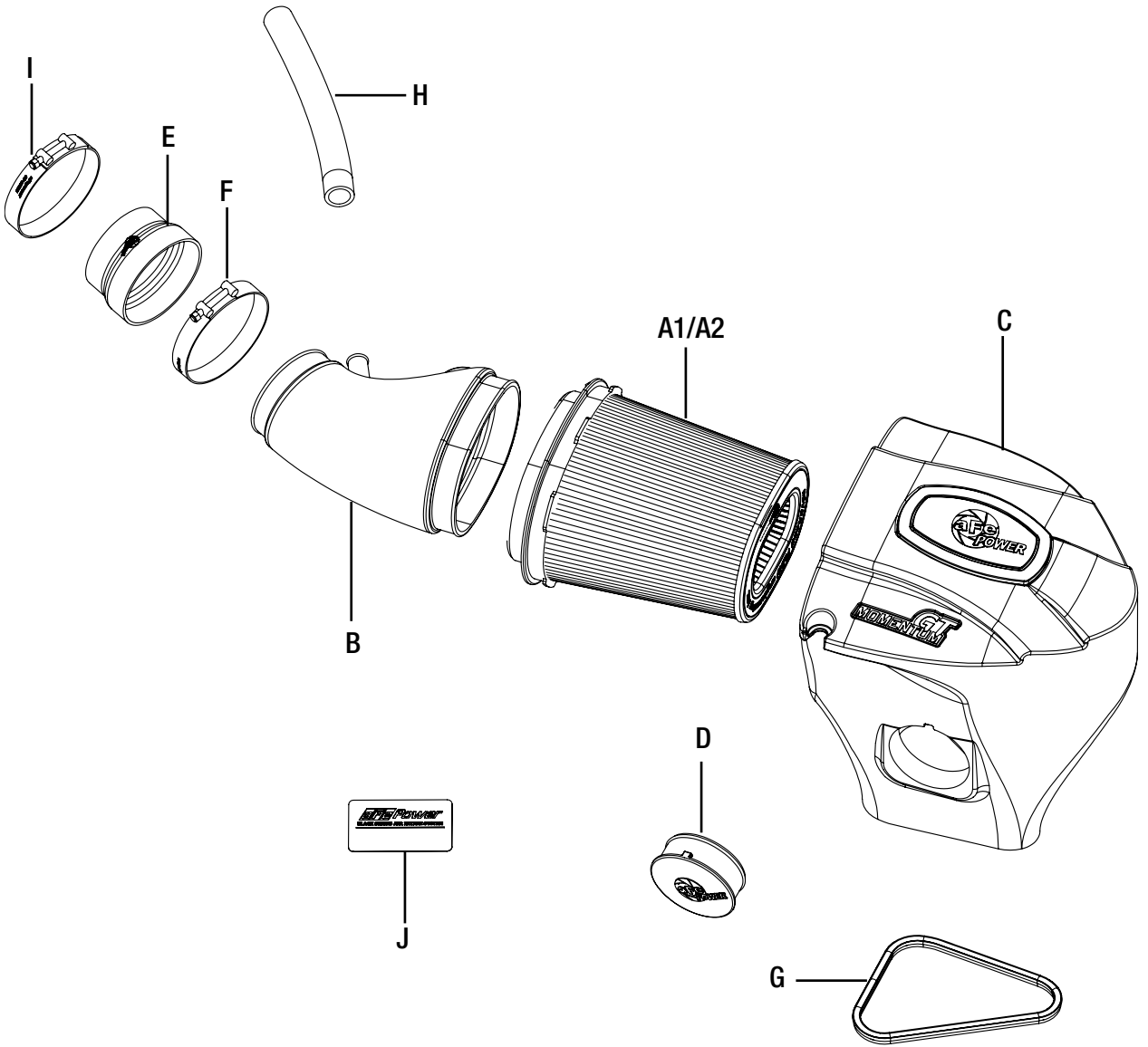
Label	Qty.	Description	Part Number
A1	1	Air Filter (Pro DRY S)	21-91092
A2	1	Air Filter (Pro 5R)	24-91092
B	1	Tube	05-72203C1
C	1	Housing	05-72201C2
D	1	Plug, Air Box	05-01361
E	1	Coupling, Silicone Reducer	05-01555
F	1	Clamp, T-bolt (4-1/16" - 4-3/8")	03-50262
G	1	Seal, Trim: 7/16" (21" inches)	05-00072
H	1	Hose, Silicone Breather: 3/4"ID	05-01475
I	1	Clamp, T-bolt (3-13/16" - 4-1/8")	03-50265
J	1	Black Series Plate	06-00142

### Installation will require the following tools:

8mm and 11mm nut driver or socket and flat screw driver.

Warranty Information available at <https://afepower.com/contact#warranty>

Note: Legal in California for use on race vehicles only. The use of this device on vehicles used on public streets or highways is strictly prohibited in California and others states that have adopted California emission regulations.





**Refer to Figure A for Steps 1-5**

- Step 1: Remove 8mm bolt from the factory air box.
- Step 2: Loosen clamp securing the intake tube to the throttle body.
- Step 3: Unplug Temp sensor.
- Step 4: Remove driver side engine cover, and remove crank case hose.
- Step 5: Pull the factory intake air system out of engine bay.

**Figure B****Refer to Figure B for Steps 6-8**

Step 6: Transfer the grommet from the factory air box to the aFe POWER housing.

Step 7: Install the trim seal on the bottom edge of the aFe POWER housing.

Step 8: Slide the aFe POWER filter inside the aFe POWER housing until it locks in place. Install clamp on the filter end, but do not tighten at this time.



**Figure C**

**Refer to Figure C for Step 9**

Step 9: For the 2015+ Challenger, if you wish to use the headlight inlet duct, pop the cap off the center of the headlight and install on the aFe housing the aFe inlet duct (Sold Separately, P/N: 54-72203-SF). For all other vehicles, leave the housing inlet open to get more air or close it off with the furnished plug to block off the hot engine air.



Figure D

**Refer to Figure D for Steps 10-12**

Step 10: Make sure factory grommet is installed correctly into hole.

Step 11: Install aFe POWER housing assembly into vehicle.

Step 12: Install coupling with clamps over the throttle body. Do not tighten yet.



Figure E

**Refer to Figure E for Steps 13-14**

Step 13: Remove the temperature sensor from the factory tube. Secure it into the aluminum fitting by turning clockwise.

Step 14: Install furnished hose onto aFe POWER tube.



Figure F

**Refer to Figure F for Steps 15-18**

Step 16: Install the tube in the vehicle by sliding it first into the filter then into the coupling.

Step 17: Connect the crank case hose to the valve.

Step 18: Align tube correctly, then tighten all clamps.



**Refer to Figure G for Steps 18-21**

Step 18: Re-connect the temperature sensor.

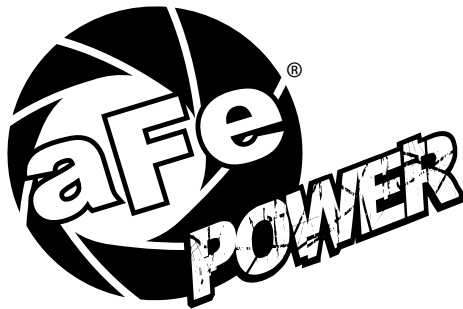
Step 19: Re-install the factory bolt removed at Step 1 to secure the housing.

Step 20: Re-install the valve cover.

Step 21: Install the aFe POWER Black Series plate on a flat surface where desired. Your installation is now complete! Thank you for choosing aFe POWER.

**NOTE: Check all bolt, clamps, and connectors after 100-200 miles.**

PAGE LEFT BLANK INTENTIONALLY



**advanced FLOW engineering, inc.**  
252 Granite Street Corona, CA 92879  
<https://afepower.com/contact>