

## advanced FLOW engineering

Momentum Cold Air Intake System

**Instruction Manual P/N: 51-74201 / 54-74201**

Make: Chevrolet Model: Corvette Stingray (C7) Year: 2014-2019 Engine: V8-6.2L

Make: Chevrolet Model: Corvette Grand Sport (C7) Year: 2017-2019 Engine: V8-6.2L



- Please read the entire instruction manual before proceeding.
- Ensure all components listed are present.
- If you are missing any of the components, call customer support at 951-493-7185.
- Ensure you have all necessary tools before proceeding.
- Do not attempt to work on your vehicle when the engine is hot.



## Retain factory parts for future use.

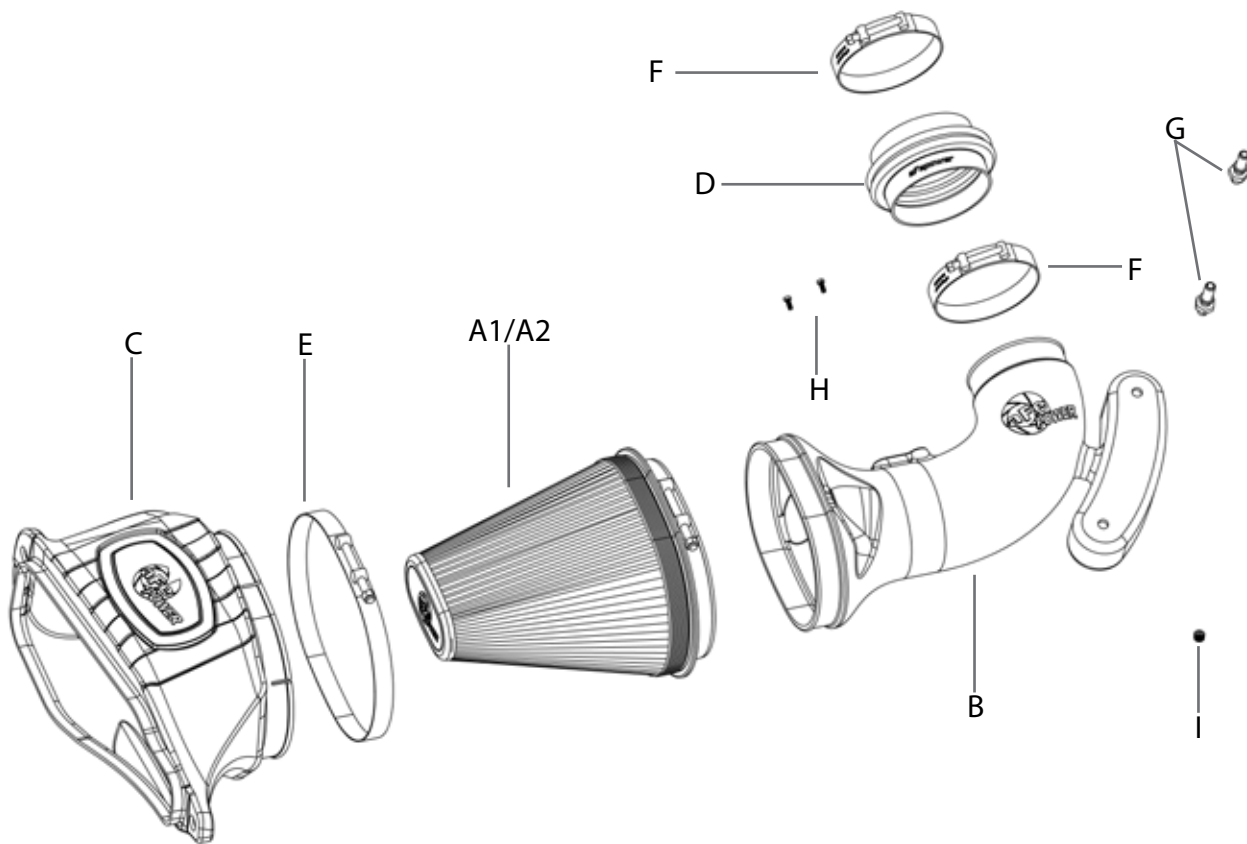
Label	Qty.	Description	Part Number
A1	1	Air Filter (Pro DRY S)	R21-90080
A2	1	Air Filter (Pro 5R)	R24-90080
B	1	Tube, Rotomold	05-74201B1
C	1	Housing, Rotomold	05-74201B2
D	1	Coupling, Silicone Bellow 3-7/8"	05-01375
E	1	Clamp, T-Bolt 8-5/16" - 8-5/8"	03-50267
F	2	Clamp, T-Bolt 3-3/4" - 4-1/16"	03-50265
G	2	Fitting SAE 9.89 to 1/8" NPT	05-01692
H	2	Screw, Torx T20 M4 x .7x8	03-50491
I	1	Plug, Hex Socket: 1/8" NPT	03-50410

Installation will require the following tools:

7mm, 8mm, 10mm and 7/16 Socket or nut driver, Ratchet and extension, flat head screw driver, Torx T20 Driver.

Warranty Information available at: <https://afepower.com/contact#warranty>

Note: Legal in California for use on race vehicles only. The use of this device on vehicles used on public streets or highways is strictly prohibited in California and others states that have adopted California emission regulations.





Refer to Figure A for Step 1

Step 1: Remove the radiator air outlet channel by removing the four screws securing it with a 7mm socket or nut driver.



FigureB

### Refer to Figure B for Steps 2-3

Step 2: Disconnect the Mass Air Flow (MAF) Sensor harness.

Step 3: Loosen the clamps at the throttle body and at the housing. Disconnect both vent hoses then remove the factory intake tube out of the vehicle. (Some vehicles only have one vent hose)



Refer to Figure C for Step 4

Step 4: Remove the two 10mm screws holding the factory intake box and pull it out of the mounting grommet then out of the vehicle.



Refer to Figure D for Steps 5-6

Step 5: Transfer the three mounting grommets from the factory air box to the aFe POWER Housing.

Step 6: Slide the filter into the housing and install the T-bolt clamps. Do not tighten yet.



Figure E

Refer to Figure E for Step 7

Step 7: Install the aFe POWER filter/housing assembly into the vehicle. Push it on the factory stud and secure it using the two factory 10 mm screws removed at step 4.



Figure F

### Refer to Figure F for Step 8

Step 8: Screw the two vent fittings into the NPT inserts on the aFe POWER tube. If vehicle is equipped with only one vent fitting, use the supplied NPT plug to close off the extra hole.

Note: These are NPT fittings, the small gap between the 16mm hex and the tube is normal. Do not overtighten them or you may break them.



Figure G

Refer to Figure G for Steps 9-10

Step 9: Remove the MAF sensor from the factory air box. Install it on the aFe POWER tube using factory O-ring and supplied m4 screws.

Step 10: Install the silicone coupling and the T-bolt clamps on the tube end. Do not tighten clamps yet.



FigureH

Refer to Figure H for Steps 11-13

Step 11: Install the aFe POWER tube into the vehicle. Slide the tube first into the filter then the coupling over the throttle body. Align the tube correctly then tighten all clamps.

Step 12: Reconnect the MAF sensor.

Step 13: Reconnect the vent hoses onto the aluminum fitting.



Figure I

Refer to Figure I for Steps 14-15

Step 14: Re-install the factory radiator air outlet.

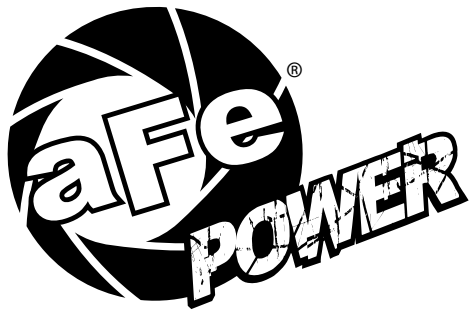
Step 15: Make sure all clamps and connections are secured. Your installation is now completed.

Page left blank intentionally



PAGE LEFT BLANK INTENTIONALLY

PAGE LEFT BLANK INTENTIONALLY



**advanced FLOW engineering, inc.**  
252 Granite Street Corona, CA 92879  
<https://afepower.com/contact>