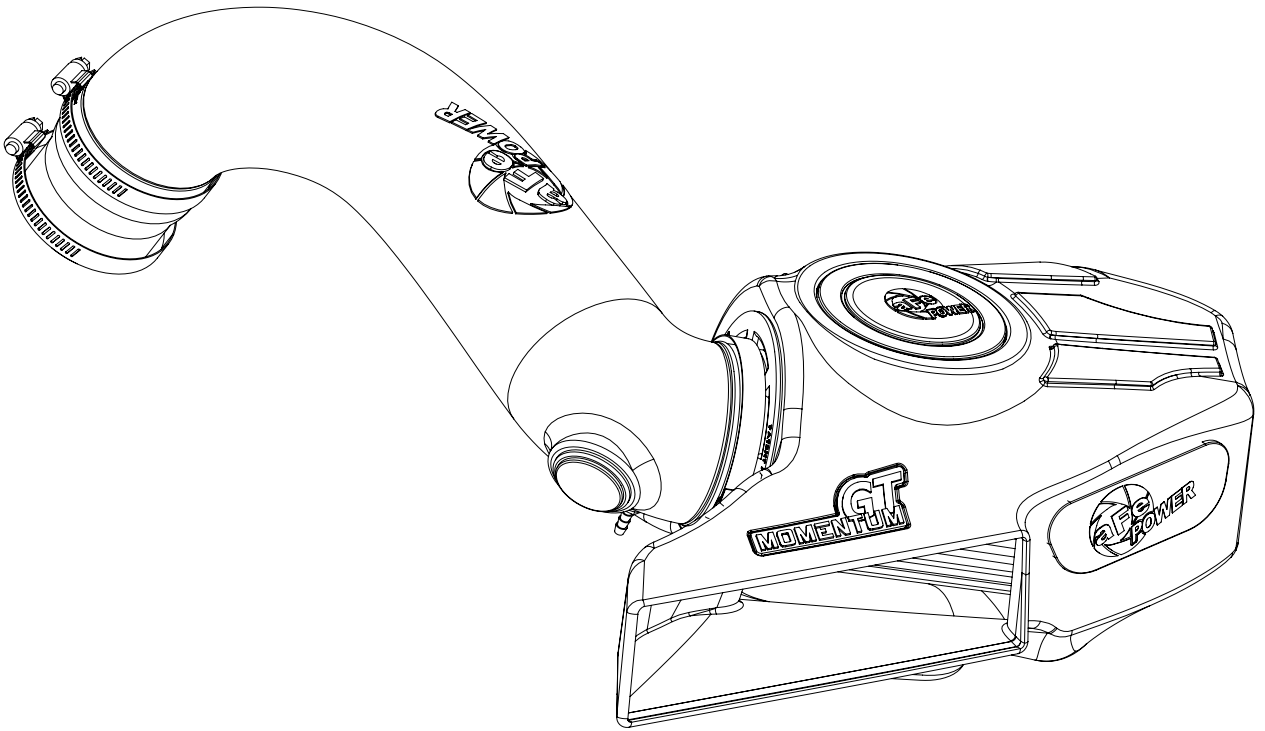
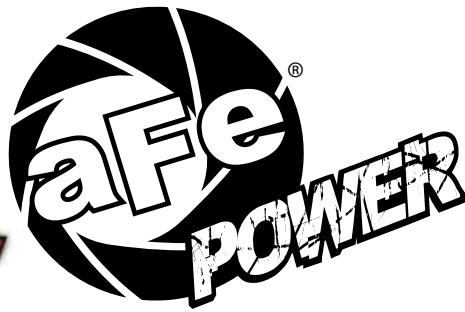


GT
MOMENTUM



advanced FLOW engineering Momentum GT Cold Air Intake System

Instruction Manual P/N: 50-70036D / 50-70036R

Make: Audi	Model: A3	Year: 2015-2016	Engine: L4-1.8L Turbo
Make: Audi	Model: A3	Year: 2015-2020	Engine: L4-2.0L Turbo
Make: Audi	Model: S3	Year: 2015-2020	Engine: L4-2.0L Turbo
Make: VW	Model: Golf	Year: 2015-2018	Engine: L4-1.8L Turbo
Make: VW	Model: Golf R	Year: 2015-2019	Engine: L4-2.0L Turbo
Make: VW	Model: GTI	Year: 2015-2020	Engine: L4-2.0L Turbo
Make: VW	Model: Jetta GLI	Year: 2019-2020	Engine: L4-2.0L Turbo



- Please read the entire instruction manual before proceeding.
- Ensure all components listed are present.
- If you are missing any of the components, call customer support at 951-493-7100.
- Ensure you have all necessary tools before proceeding.
- Do not attempt to work on your vehicle when the engine is hot.

Retain factory parts for future use.

Label	Qty.	Description	Part Number
A1	1	Air Filter (Pro 5R)	24-91103
A2	1	Air Filter (Pro DRY S)	21-91103
B	1	Tube	05-76403B1
C	1	Housing	05-5070036B2
D	1	Cap	03-50179
E	1	Coupling, Reducer	05-01196
F	1	Fitting, Smog Pump	05-01096
G	1	Grommet	03-50139
H	1	Clamp #048	03-50007
I	1	Clamp #044	03-50019
J	3	Grommet, Rubber	03-50647
K	1	Nipple, Brass Hose	03-50194
L	1	Plug, Air Box	05-00937

Installation will require the following tools:

8mm nut driver, 1/4" Socket Wrench, 13mm deep socket and T25 Torx driver.

Recommended: Silicone Lubricant

Note: Legal in California for use on race vehicles only. The use of this device on vehicles used on public streets or highways is strictly prohibited in California and others states that have adopted California emission regulations.

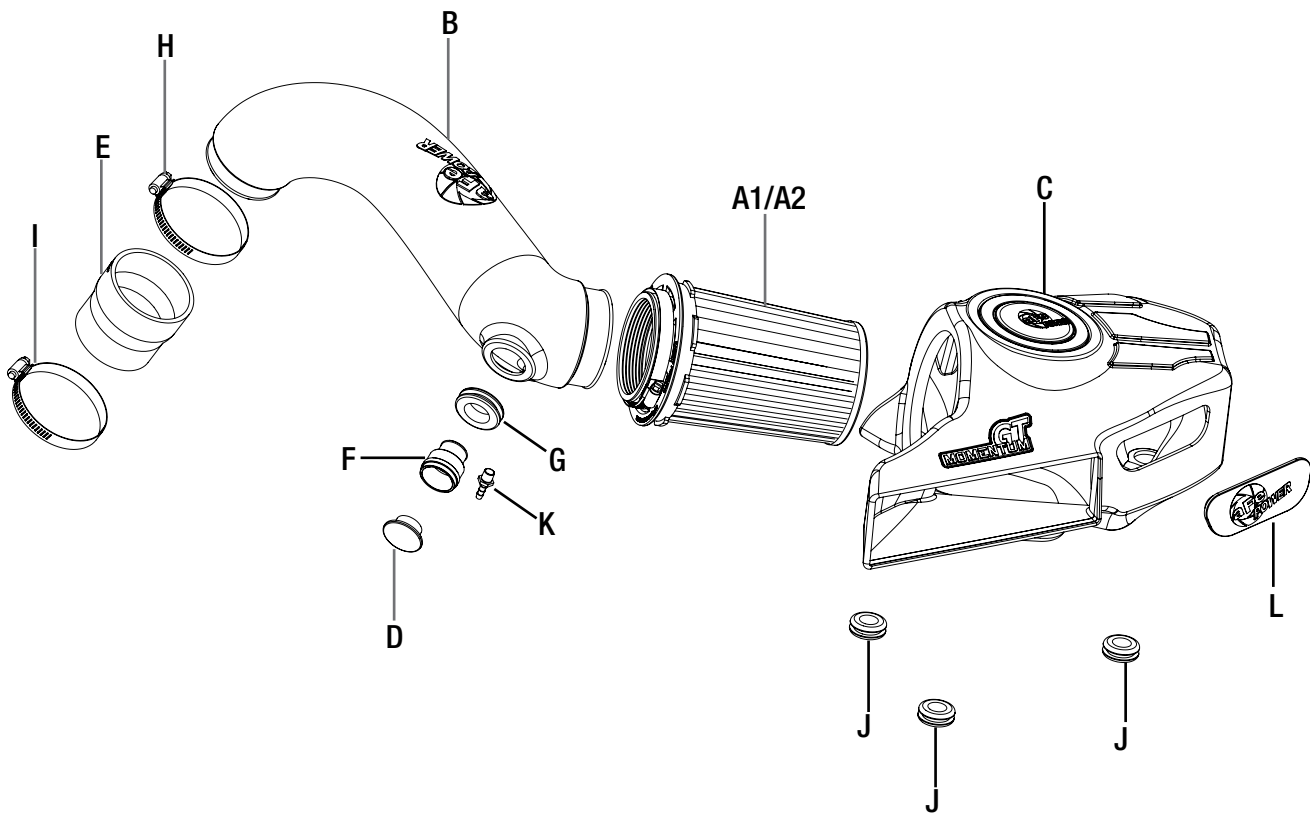




Figure A

Refer to Figure A for Steps 1-4

- Step 1: Disconnect the smog pump connector (1) from the factory intake housing. (If applicable)
- Step 2: Disconnect the rubber crank case breather tube (2) from the factory intake housing.
- Step 3: Loosen the clamp (3) connecting the factory intake tube to the turbo.
- Step 4: Carefully lift and remove the entire factory intake assembly.

NOTE: Alternately, the top half of the factory air box can be removed with a T25 Torx screwdriver.

**Figure B****Refer to Figure B for Step 5**

Step 5: Install the three (x3) provided rubber grommets (4) on the bottom of the aFe POWER air box as shown.

**Figure C****Refer to Figure C for Steps 6-7**

Step 6: Install the grommet (5). Use the plastic block off cap (6). (For vehicles not equipped w/ a smog pump) or the metal fitting (7) for vehicles that are equipped w/ a smog pump).

Step 7. Install the 3/16" brass fitting into the tube (8).

INSTALL



Figure D

Refer to Figure D for Steps 8-9

Step 8: Insert the tube into the filter and tighten the clamp at this time.

Step 9: Then insert the tube & filter both into the housing by pressing while rotating until you feel and/or hear all six (x6) of the tabs seat themselves into the flange.



Figure E

Refer to Figure E for Steps 10-12

Step 10: Install the provided reducer coupling (9) and smaller clamp (#044) (10) onto the turbo inlet pipe.

Step 11: Tighten clamp at this time.

Step 12: Slip the (#048) clamp (11) onto the coupling, but do not tighten at this time.

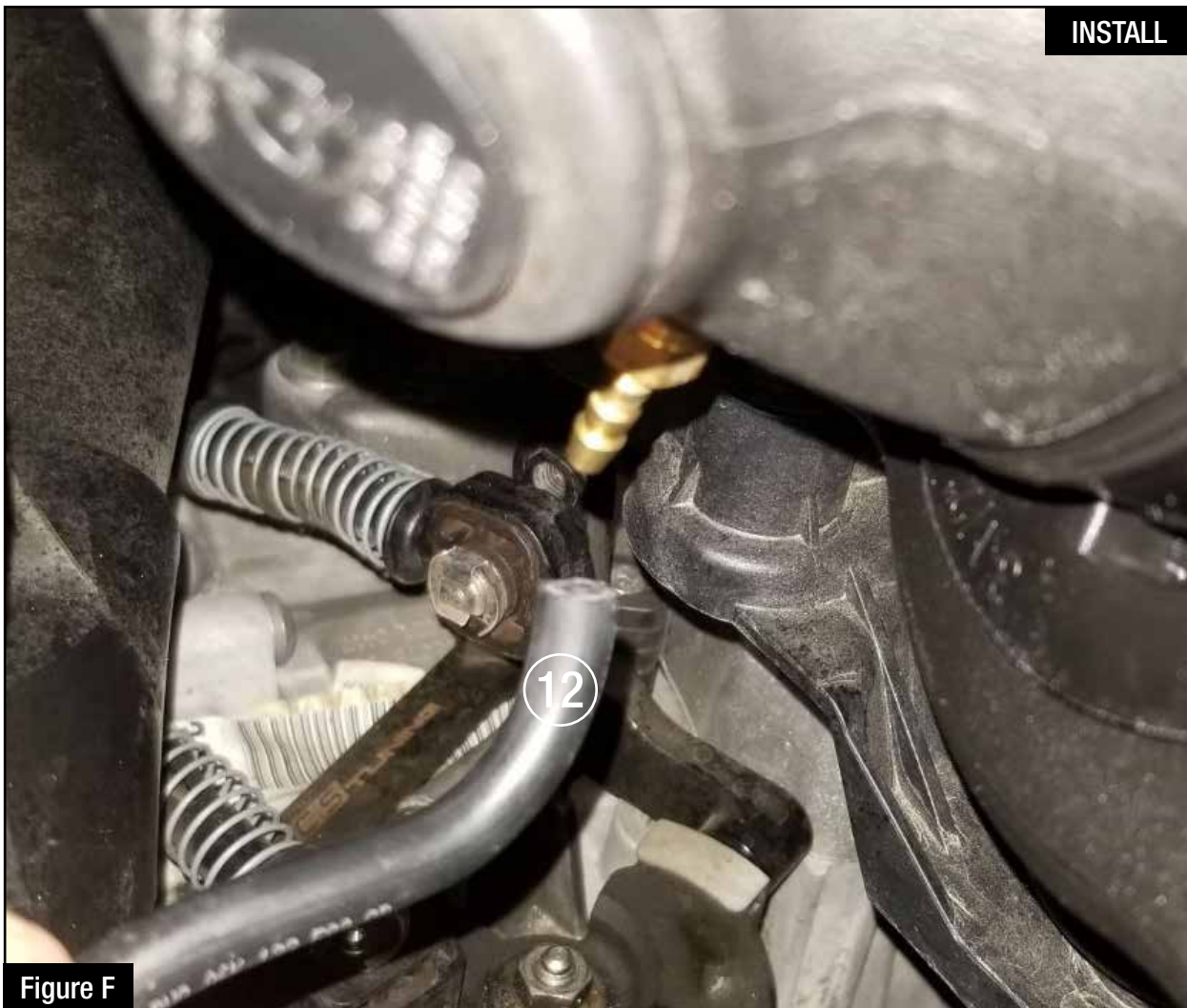


Figure F

Refer to Figure F for Step 13

Step 13: Place the entire intake assembly in the engine as shown and re-attach the rubber breather hose (12).

NOTE: A small amount of lubricant on the brass fitting may help the rubber hose to slip over the brass fitting.

**Figure G****Refer to Figure G for Steps 14-18**

Step 14: Lower the intake assembly over the three (x3) factory mounting locations and firmly press down on the air box.

Step 15: Next, rotate the tube down into the coupling over the turbo inlet pipe.

Step 16: Align tube where it does not touch anything and tighten the (#048) clamp (13).

Step 17: Connect the smog pump hose to the aluminum fitting (14).

Step 18: Confirm all connections are secure and clamps tightened. Your installation is now complete.

Thank you for choosing aFe POWER!

NOTE: Check all bolts, clamps, and connectors after 100-200 miles.

Page left blank intentionally



Page left blank intentionally

Page left blank intentionally



Pro DRY S Air Filter



P/N: 21-91103

Pro 5R Air Filter



P/N: 24-91103

Pro DRY S Restore Kit



P/N: 90-59999

Blue Squeeze Restore Kit



P/N: 90-50501

Pre-Filter



P/N: 28-10083

SCORCHER GT Module



P/N: 77-46408

SPRINT BOOSTER V3



P/N: 77-16412

To purchase any of the items above, view airflow charts, dyno graphs, photos, and video; please go to aFepower.com.

Warranty

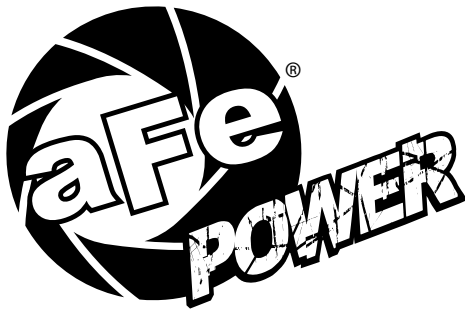
General Terms:

- aFe warrants their products to be free from manufacturer's defects due to workmanship and material.
- This warranty applies only to the original purchaser of the product and is non-transferrable.
- Proof of purchase of the aFe product is required for all warranty claims.
- Warranty is valid provided aFe instructions for installation and/or cleaning were properly followed.
- Proper maintenance with regular inspections of product is required to insure warranty coverage.
- Damage due to improper installation, abuse, unauthorized repair or alteration is not warranted.
- Incidental or consequential damages or cost, including installation and removal of part, incurred due to failure of aFe product is not covered under this warranty.
- All warranty is limited to the repair and/or replacement of the aFe part. To request Return Goods Authorization ("RGA"), email RGA@afepower.com or call (951)493-7100. Upon receipt of the RGA, you must return the product to the address provided in the RGA, freight prepaid and accompanied with a dated proof of purchase and the RGA. Upon receipt of the defective product and upon verification of proof of purchase, aFe will either repair or replace the defective product within a reasonable time, not to exceed thirty days.

Product Category	P/N Prefix	Warranty duration
Direct OE Replacement Filters	10, 11, 30, 31, 71, 73	Life of the vehicle
Racing Filters	18	1 year
Universal	21, 23, 24, 72, TF	2 years
Air Intake Systems	50, 51, 53, 54, 55, 58, 75, TR, TA, TL, TM	2 years
Exhaust Systems	49	2 years
Intercoolers & Intercooler Tubes	46-2	2 years
Intake Manifolds	46-1	2 years
Differential Cover	46-7	Life of the vehicle
Exhaust Manifolds	46	2 years
Throttle Body Spacers	46-3	2 years
Turbochargers	46-6	2 years*
Fluid Filters	44	90 days
Pre-Filters	28	2 years
Heavy Duty OE Replacement	70	2 years
PowerSports OE Replacement	81, 87	2 years
PowerSports Intake Systems	85	2 years

No other warranty expressed or implied applies nor is any person or advanced FLOW engineering authorized to assume any other warranty. Some States do not allow the exclusion or limitation of incidental or consequential damages or do not allow limitations on how long an implied warranty lasts, so the above limitations or exclusions may not apply to you. This warranty gives you specific legal rights, and you may also have other rights which vary from State to State.

*See turbocharger warranty for more info



advanced FLOW engineering, inc.
252 Granite Street Corona, CA 92879
TEL: 951.493.7100 • TECH: 951.493.7134
E-Mail: Tech@aFepower.com