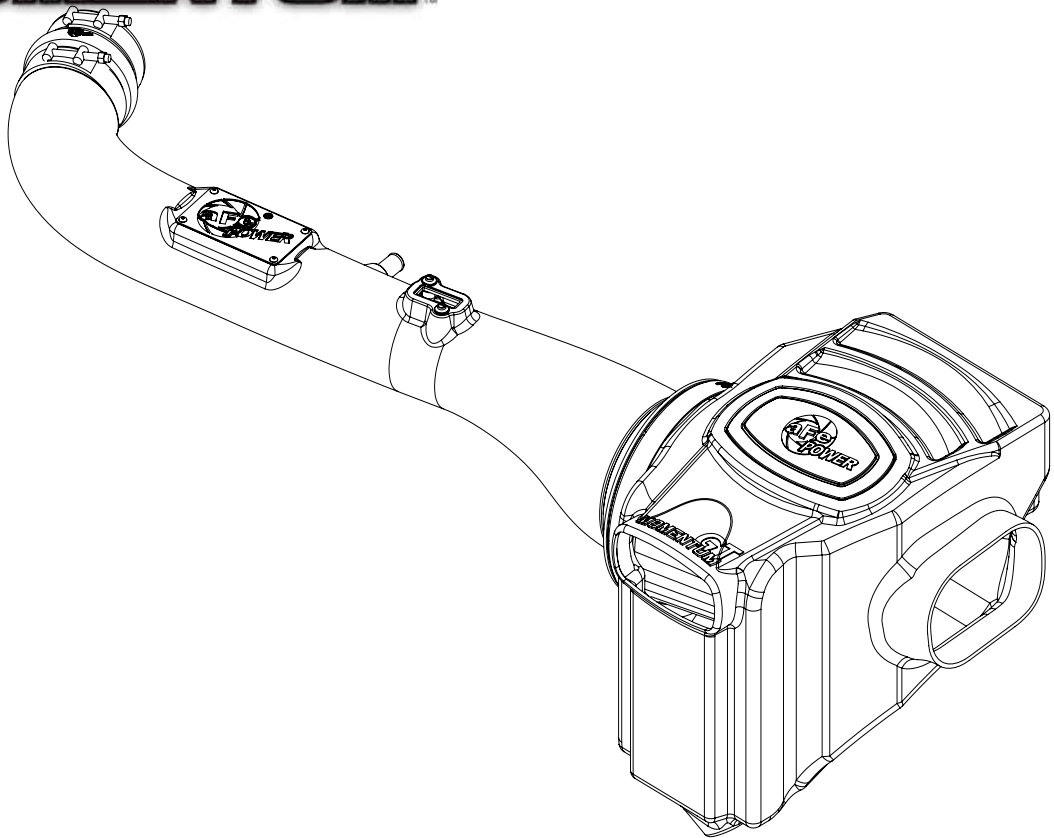




**GT**  
**MOMENTUM™**



## advanced FLOW engineering

Cold Air Intake System

**Instruction Manual** P/N: 51-76102 / 54-76102

Make: Nissan

Model: Frontier

Year: 2005-2019

Engine: V6-4.0L

Make: Nissan

Model: Pathfinder

Year: 2005-2012

Engine: V6-4.0L

Make: Nissan

Model: Xterra

Year: 2005-2015

Engine: V6-4.0L

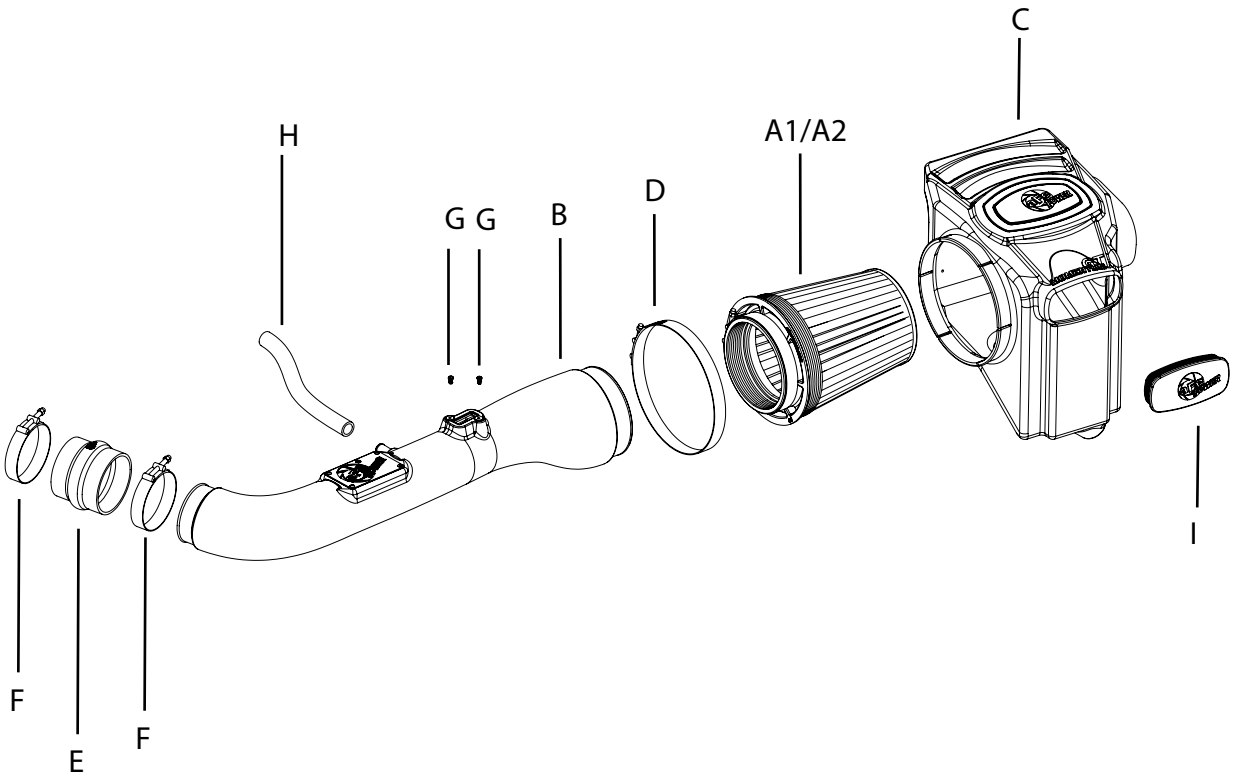


- Please read the entire instruction manual before proceeding.
- Ensure all components listed are present.
- If you are missing any of the components, call customer support at 951-493-7185.
- Ensure you have all necessary tools before proceeding.
- Do not attempt to work on your vehicle when the engine is hot.
- Disconnect the negative battery terminal before proceeding.
- Retain factory parts for future use.

Label	Qty.	Description	Part Number
A1	1	Air Filter (Pro DRY S)	21-91062 (51-76102)
A2	1	Air Filter (Pro-5R)	24-91062 (54-76102)
B	1	Tube	05-76102B1
C	1	Housing	05-76102B2
D	1	Clamp, T-Bolt (7-5/16" - 7-5/8") SS	03-50290
E	1	Coupling Silicone Hump	05-01330
F	2	Clamp, T-Bolt (3-5/16" - 3-5/8") SS	03-50292
G	2	Screw, Torx M4 x .7x8	03-50491
H	1	Hose, Fuel 5/8 ID Black @ 16"L	05-00069
I	1	Plug	05-01202

Tools needed: 8mm Nut driver, 10mm Nut Driver, 1/4" Ratchet, 10mm Socket, Torx T20 Tool, Phillips Screw Driver, Pliers.

Warranty Information available at: <https://afepower.com/contact#warranty>



**FigureA**

Refer to Figure A for Steps 1-3

Step 1: Remove the 10mm bolts (x2) securing the engine cover.①

Step 2: Lift up and remove cover.

Step 3: Remove the 10mm bolt on the side of the air box and set aside for later use.②



FigureB

Refer to Figure B for Steps 4-8

Step 4: Loosen the hose clamp at the throttle body. (3)

Step 5: Remove the 10mm bolts (x2) on the intake tube. (4)

Step 6: Unclamp both ends of the crank case vent hose and remove. Save the clamps for later use. (5)

Step 7: Disconnect the MAF sensor and clip attached to factory housing. (6)

\*If equipped: remove vent hose clipped to the back of the housing. (Figure 1)

Step 8: Lift and remove entire intake.



FigureC

Refer to Figure C for Step 9

Step 9: Transfer the rubber isolation mounts from the stock housing to the aFe housing. (7)



Figure 2



Figure 3



Figure D

### Refer to Figure D for Steps 10-13

\*If your truck is equipped with the vent hose you removed in Figure 1, use the drill point location shown above in Figure 2 to drill a 3/16" hole.

Step 10: Line up the lower mounts and install the aFe housing as shown.

Note: It may help to use a small amount of lubricant on the inside of the rubber grommet.

Step 11: Secure housing using bolt you removed in Step 3 with ¼" ratchet and 10mm socket. (Figure 3)

Step 12: \*If applicable, reconnect previously removed vent hose to the back of the aFe housing in the 3/16" hole you drilled.

Step 13: Install the large t-bolt clamp as shown but do not tighten yet.



Figure E

Refer to Figure E for Step 14

Step 14: Remove the MAF sensor from the factory intake and install on the aFe intake tube with the provided screws as shown above. ⑧



Figure F

Refer to Figure F for Steps 15-16

Step 15: Assemble the filter with clamp to the tube as shown above.

Step 16: Tighten t-bolt clamp at this time. ⑨


**Figure G**

Refer to Figure G for Steps 17-19

Step 17: Slip small t-bolt clamp over one side of coupling and install over throttle body. Tighten t-bolt clamp. (10)

Step 18: Slip 2nd small t-bolt clamp over other end as shown above but do not tighten at this time.

Step 19: Connect the provided rubber hose to the stock crank case vent location and secure with the clamp you removed in Step 6. Position hose as shown. (11)



Figure H

Refer to Figure H for Steps 20-23

Step 20: First insert the filter into the housing. (12)

Step 21: Next insert the tube end into the coupling. (13)

Step 22: Align the tube and filter with the housing and coupling, then tighten all clamps at this time.

Step 23: Connect the crank case vent hose to the aFe tube at this time. Reusing the factory clamp is optional. (14)



Figure I

Refer to Figure I for Steps 24-26

Step 24: Reconnect MAF sensor as shown. ⑮

Step 25: Reinstall engine cover with bolts removed in step 1. Your installation is now complete!

Step 26: (Optional) install plug on side of housing.

NOTE: Retighten all connections after approximately 100-200 miles.

Place enclosed CARB EO sticker on or near the device on a smooth, clean surface.

EO identification label is required to pass the smog inspection.

Page left blank intentionally



Page left blank intentionally

Page left blank intentionally

