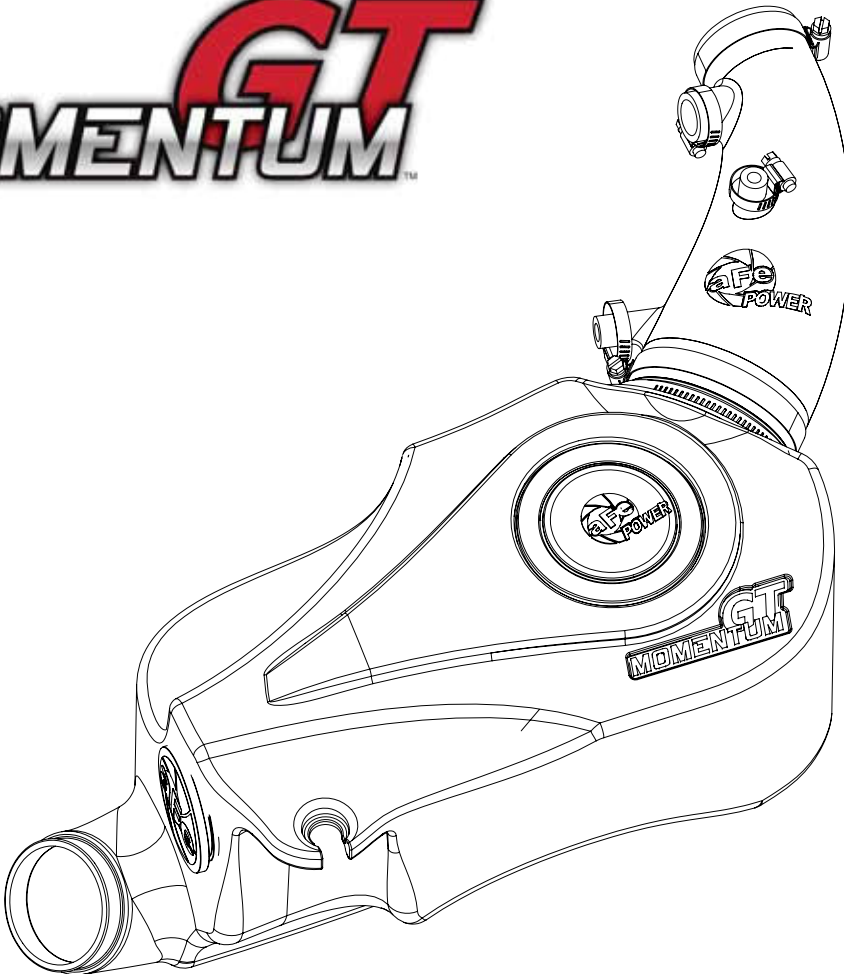


GT
MOMENTUM™



advanced FLOW engineering Momentum GT Cold Air Intake System

Instruction Manual P/N: 51-76901 / 54-76901

Make: **FIAT** Model: **124 Spider** Year: **2017-2020** Engine: **L4-1.4L Turbo**
NOTE: **Includes Abarth models.**



- Please read the entire instruction manual before proceeding.
- Ensure all components listed are present.
- If you are missing any of the components, call customer support at 951-493-7100.
- Ensure you have all necessary tools before proceeding.
- Do not attempt to work on your vehicle when the engine is hot.
- Disconnect the negative battery terminal before proceeding.

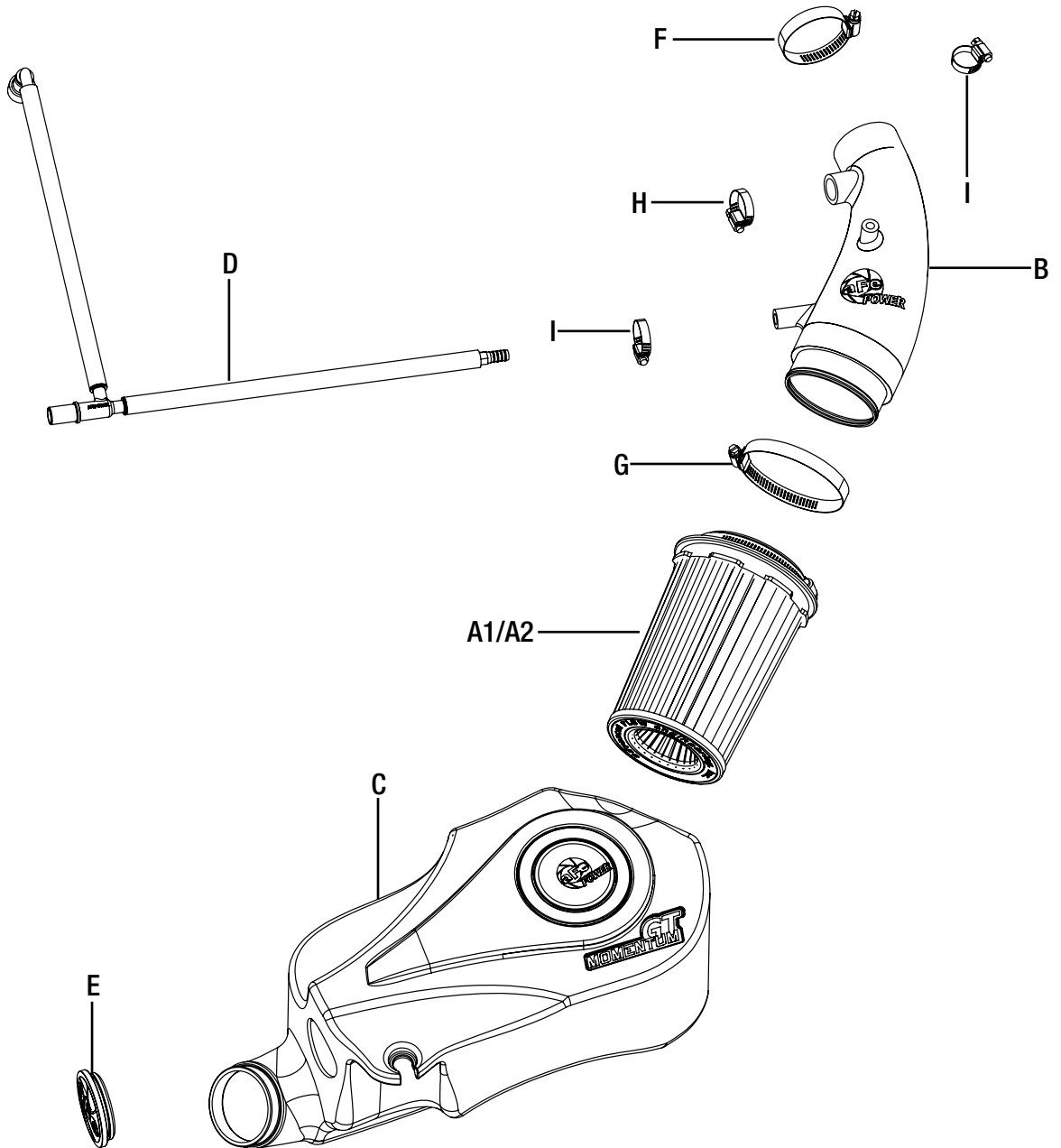
Retain factory parts for future use.

Label	Qty.	Description	Part Number
A1	1	Air Filter (Pro DRY S)	21-91103
A2	1	Air Filter (Pro 5R)	24-91103
B	1	Tube	05-76901B1
C	1	Housing	05-76901B2
D	1	Hose Fitting	05-01468
E	1	Plug, Silicone	05-01482
F	1	Clamp, #032	03-50016
G	1	Clamp, #056	03-50009
H	1	Clamp, Mini #012	03-50023
I	2	Clamp, Mini #006	03-50025

Installation will require the following tools:

Flat head screwdriver, 8mm nut driver, 10mm nut driver, 10mm socket and socket wrench.

Note: Legal in California for use on race vehicles only. The use of this device on vehicles used on public streets or highways is strictly prohibited in California and others states that have adopted California emission regulations.



**Figure A****Refer to Figure A for Steps 1-3.**

Step 1: Remove the engine cover.

Step 2: Disconnect the larger hose from the airbox. Using a flathead screwdriver, gently pry the green locking tab upward to release the fitting, and then pull the hose away from the airbox.

Step 3: Disconnect the smaller hose with light blue fittings from the airbox and the engine, using the same technique used in Step 2 to release the locking tabs. Then remove the hose from the vehicle, it will not be reused.



Figure B

Refer to Figure B for Steps 4-10.

- Step 4: Disconnect the large rubber hose from the plastic PCV tube, use pliers to release the clamp.
- Step 5: Disconnect the small rubber hose from the plastic PCV tube, use pliers to release the clamp.
- Step 6: Remove the 10mm bolt securing the plastic PCV tube to the engine.
- Step 7: Remove the small vacuum hose with the 90 degree elbow from the top of intake tube.
- Step 8: Gently lift the coolant hose out of the groove on the intake tube.
- Step 9: Loosen the two clamps securing the intake tube to the airbox and turbo inlet.
- Step 10: Remove intake tube and the plastic PCV tube as one piece from the vehicle.



Figure C

Refer to Figure C for Step 11.

Step 11: Remove the roll pin from the turbocharger inlet, by squeezing it with pliers and pulling it out. It will not be reused.



Figure D

Refer to Figure D for Step 12.

Step 12: Remove the plastic PCV tube from the factory intake tube. Use a twisting motion to pull the tube out.

**Figure E****Refer to Figure E for Steps 13-15.**

- Step 13: Move the hose with the green fitting to the left side of the upper radiator hose.
- Step 14: Remove the 10mm bolt securing the airbox to the radiator support.
- Step 15: Remove the airbox from the vehicle, by pulling it upward and out of the grommets

Note: Make sure the factory air inlet stays in place.



Figure F

Refer to Figure F for Step 16.

Step 16: Transfer the grommets and metal sleeve from the factory airbox to the aFePower Momentum GT housing.

**Figure G****Refer to Figure G for Steps 17-18.**

Step 17: Install the aFe POWER housing into the vehicle, make sure it is seated correctly on the grommets and that it is connected to the factory inlet.

Step 18: Install the aFe POWER air filter into the housing by firmly pushing it into the opening until it locks in.

Note: Do NOT install the 10mm bolt that secures the housing to the radiator support yet.

**Figure H****Refer to Figure H for Steps 19-20.**

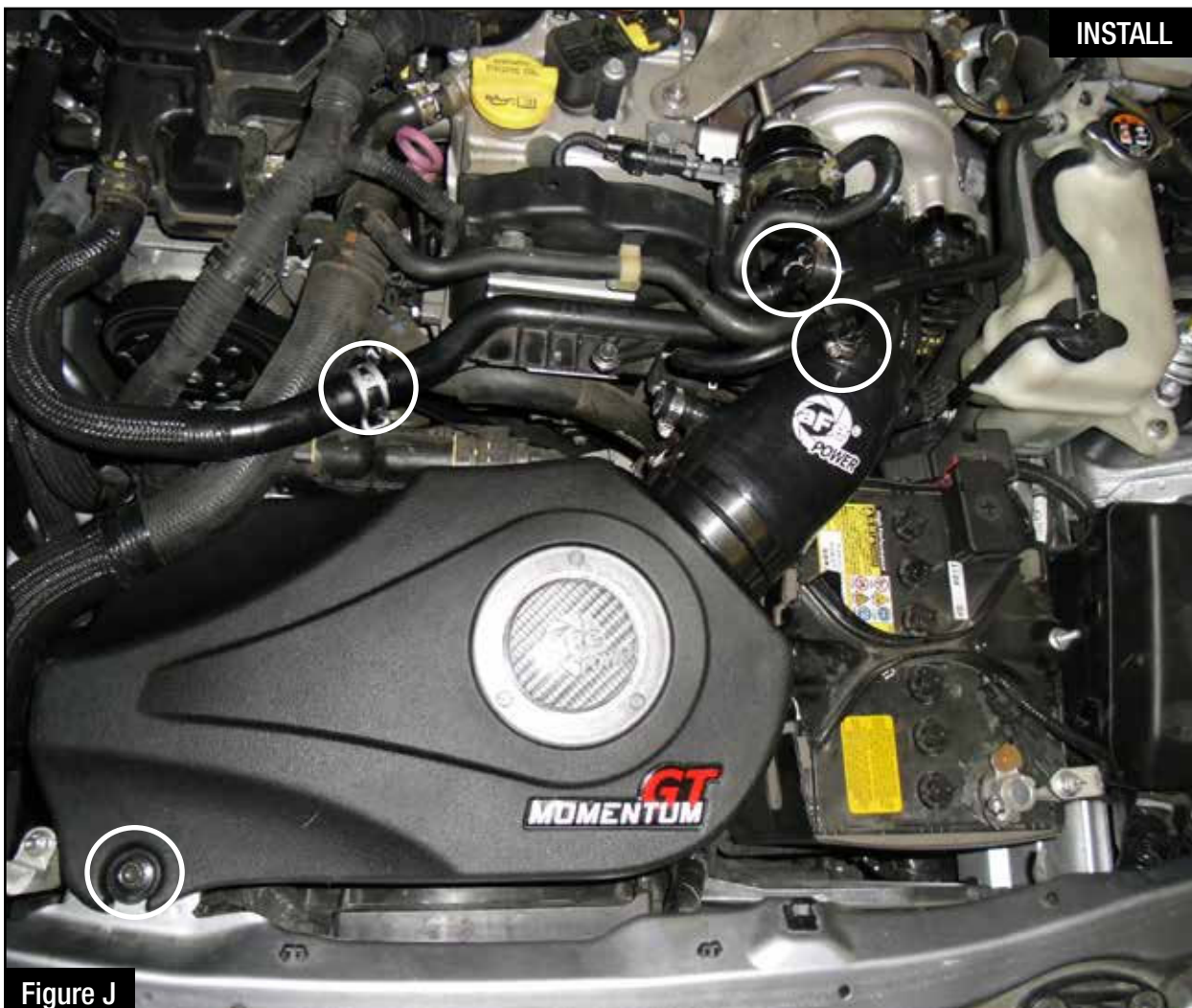
Step 19: Install the clamps on the silicone intake tube, but do not tighten the clamp on the small end.

Step 20: Slide the factory plastic PCV tube into the silicone intake tube. Do not tighten clamp.

**Figure I****Refer to Figure I for Steps 21-22.**

Step 21: Install the intake tube into the vehicle, by sliding the small end of the tube over the turbo inlet, then sliding the aluminum coupler into the air filter. Align the tube and tighten the clamp on the turbo and on the filter.

Step 22: Reinstall the 10mm bolt securing the plastic PCV tube.

**Figure J****Refer to Figure J for Steps 23-26.**

Step 23: Reinstall the large vacuum hose back onto plastic PCV hose, secure with factory clamp.

Step 24: Reinstall the small vacuum hose back onto plastic PCV hose, secure with factory clamp.

Step 25: Install the small hose with the 90 degree elbow into the aFe POWER intake tube.

Step 26: Install the 10mm Bolt to secure the housing to the radiator support.

Note: There should still be one unused opening on the intake tube.

**Figure K****Refer to Figure K for Steps 27-31.**

- Step 27: Install the provided hose by attaching the male end of the plastic tee to the factory connection with the green locking tab. Make sure the green tab is securely locked in place.
- Step 28: Attach the 90-degree female connector to the engine, where the hose removed in Step 3 was connected.
- Step 29: Press the brass barbed fitting into the opening on the intake tube, and tighten the mini clamp.
- Step 30: Verify all clamps are tightened and all connections are secured.
- Step 31: Reinstall engine cover.



Figure L

Refer to Figure L for Step 32.

Step 32: The kit includes an optional plug to close off the auxiliary air inlet. Install the plug if you wish to close off the auxiliary air inlet and only capture cold air from the stock air inlet.

- Without the plug installed, the aFe POWER intake will capture the maximum air available. More airflow offers more power. Yet some of this air is picked up from inside the engine compartment and could be warmer air. Warmer air will affect the performance of the vehicle.
- The plug installed on the housing will block off any hot engine air entering the housing and make sure the coolest air available is directed into the engine. It will also reduce the noise of the intake. Installation is now completed. Thank you for choosing aFe POWER.



Page left blank intentionally

Page left blank intentionally



Pro DRY S Air Filter



P/N: 21-91103

Pro 5R Air Filter



P/N: 24-91103

Pro DRY S Restore Kit



P/N: 90-59999

Blue Squeeze Restore Kit



P/N: 90-50501

SCORCHER GT Module



P/N:77-46901

SPRINT BOOSTER V3



P/N:77-16901

aFe POWER T-Shirt



P/N: 40-30441-B (S)
40-30442-B (M)
40-30443-B (L)
40-30444-B (XL)
40-30445-B (2XL)

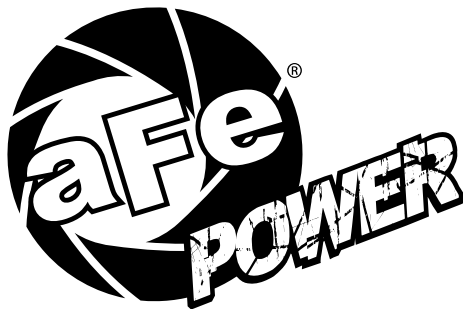
Warranty

General Terms:

- aFe warrants their products to be free from manufacturer's defects due to workmanship and material.
- This warranty applies only to the original purchaser of the product and is nontransferable.
- Proof of purchase of the aFe product is required for all warranty claims.
- Warranty is valid provided aFe instructions for installation and/or cleaning were properly followed.
- Proper maintenance with regular inspections of product is required to insure warranty coverage.
- Damage due to improper installation, abuse, unauthorized repair or alteration is not warranted.
- Incidental or consequential damages or cost, including installation and removal of part, incurred due to failure of aFe product is not covered under this warranty.
- All warranty is limited to the repair and/or replacement of the aFe part. To request Return Goods Authorization ("RGA"), email RGA@afepower.com or call (951)493-7100. Upon receipt of the RGA, you must return the product to the address provided in the RGA, freight prepaid and accompanied with a dated proof of purchase and the RGA. Upon receipt of the defective product and upon verification of proof of purchase, aFe will either repair or replace the defective product within a reasonable time, not to exceed thirty days.

Product Category	P/N Prefix	Warranty duration
Direct OE Replacement Filters	10, 11, 30, 31, 71, 73	Life of the vehicle
Racing Filters	18	1 year
Universal	21, 24, 72	2 years
Air Intake Systems	50, 51, 54, 55, 75	2 years
Exhaust Systems	49	2 years
Intercoolers & Intercooler Tubes	46-2	2 years
Intake Manifolds	46-1	2 years
Differential Cover	46-7	Life of the vehicle
Exhaust Manifolds	46	2 years
Throttle Body Spacers	46-3	2 years
Fluid Filters	44	90 days
Pre-Filters	28	2 years
Heavy Duty OE Replacement	70	2 years
PowerSports OE Replacement	81, 87	2 years
PowerSports Intake Systems	85	2 years

No other warranty expressed or implied applies nor is any person or advanced FLOW engineering authorized to assume any other warranty. Some States do not allow the exclusion or limitation of incidental or consequential damages or do not allow limitations on how long an implied warranty lasts, so the above limitations or exclusions may not apply to you. This warranty gives you specific legal rights, and you may also have other rights which vary from State to State.



advanced FLOW engineering, inc.
252 Granite Street Corona, CA 92879
TEL: 951.493.7100 • TECH: 951.493.7134
E-Mail: Tech@aFepower.com