

advanced FLOW engineering

Instruction Manual P/N: 51-76314 / 54-76314

Make: BMW	Model: 114i (F20/F21)	Year: 2012-2015	Engine: L4-1.6L (t) N13
Make: BMW	Model: 116i (F20/F21)	Year: 2011-2015	Engine: L4-1.6L (t) N13
Make: BMW	Model: 120i (F20/F21)	Year: 2015-2016	Engine: L4-1.6L (t) N13
Make: BMW	Model: 316i (F30/F31/F36)	Year: 2012-2015	Engine: L4-1.6L (t) N13
Make: BMW	Model: 320ed (F30)	Year: 2012-2015	Engine: L4-1.6L (t) N13



- Please read the entire instruction manual before proceeding.
- Ensure all components listed are present.
- If you are missing any of the components, call technical support at 951-493-7100 or e-mail tech@afepower.com.
- Ensure you have all necessary tools before proceeding.
- Do not attempt to work on your vehicle when the engine is hot.
- Disconnect both the negative battery terminal before proceeding.

Retain factory parts for future use.

Label	Qty.	Description	Part Number
A1	1	Air Filter (Pro 5R)	24-91056
A2	1	Air Filter (Pro DRY S)	21-91056
B	1	Housing	05-82212B2
C	1	Tube	05-76314B1
D	1	Torx Bit: T20	03-50066
E	2	Screw, Torx: M4	03-50489
F	1	Clamp, #044	03-50019
G	1	Clamp, #032	03-50016
H	1	Clamp, #096	03-50003
I	1	Coupling, Silicone	05-01433

Installation will require the following tools:

Phillips screwdriver & 8mm nut driver, flat head screwdriver, 11mm socket, socket wrench, T20 torx driver.

Note: Not legal for use in California. The use of this device in any on-road or off-road vehicles registered with the California Dept of Motor Vehicles (DMV) is strictly prohibited. (Vehicle does NOT exist in the US.)

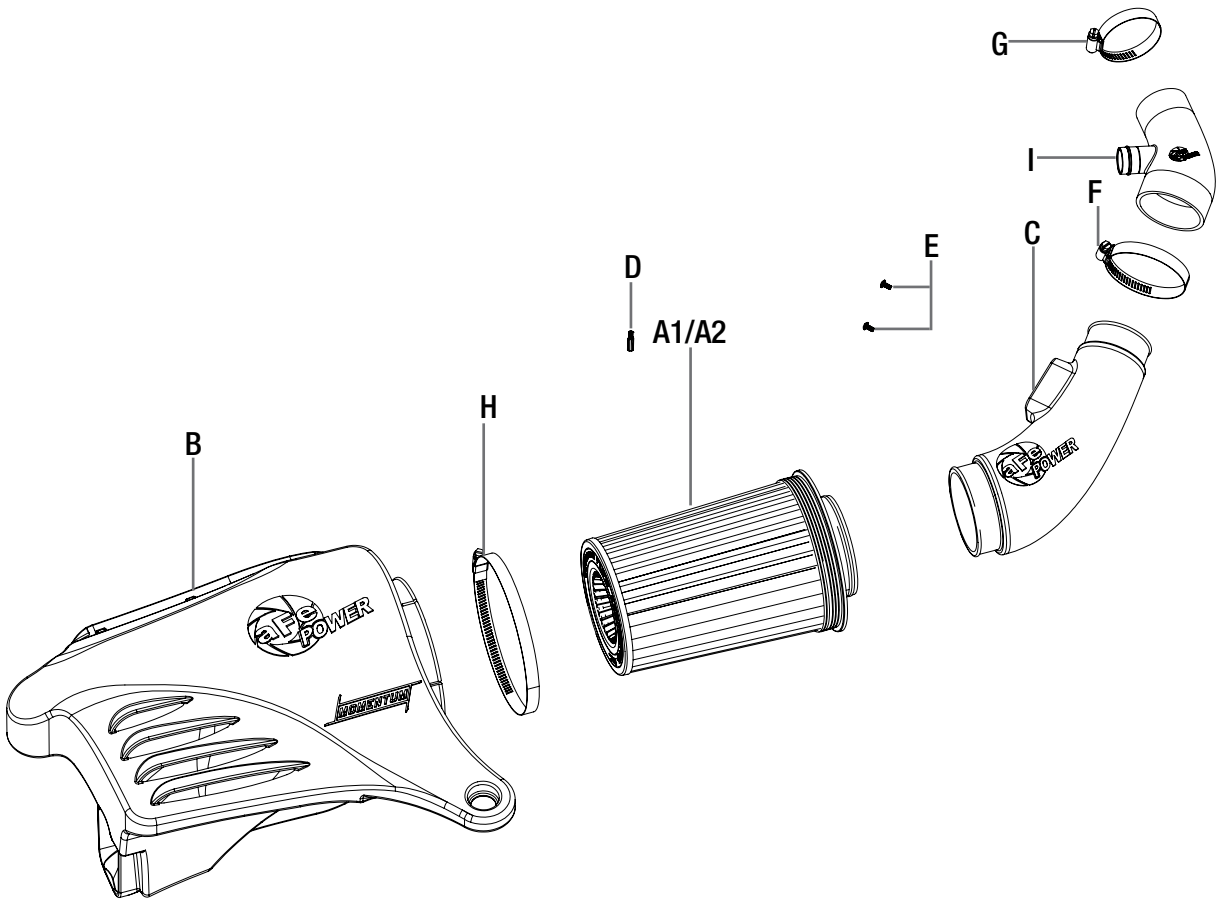




Figure A

Refer to Figure A for Steps 1-4

Step 1: Disconnect the Mass Air Flow (MAF) sensor harness.

Step 2: Unclip the hood latch cable of the airbox.

Step 3: Untighten the clamps on the factory intake tube at the turbo and the intake housing.

Step 4: Pull the factory airbox out of the vehicle by firmly pulling it out of its mounting grommet.



Figure B

Refer to Figure B for Step 5

Step 5: Remove the intake tube off the turbo and disconnect the two hoses connected to it to remove the tube of the vehicle.



Figure C

Refer to Figure C for Steps 6-7

Step 6: Transfer one of the grommet of the factory airbox to aFe Power housing.

Step 7: Install the filter into the housing with the clamps. Do not tighten at his time.



Figure D

Refer to Figure D for Step 8

Step 8: Install the aFe Power Housing into the vehicle by firmly pushing it into the mounting grommets.



Refer to Figure E for Step 9

Step 9: Transfer the MAF sensor from the factory housing to the aFe Power tube. Secure it using the furnished M4 screws.



Figure F

Refer to Figure F for Step 10

Step 10: Install the clamps over the coupling. Do not tighten clamps yet.



Refer to Figure G for Step 11

Step 11: Install the coupling over the turbo and connect the two hoses to the aluminum fittings. Do not tighten clamps yet.



Figure H

Refer to Figure H for Steps 12-13

Step 12: Slide the aFe Power tube into the coupling then into the filter. Align the filter, tube and coupling then tighten all clamps.



Figure I

Refer to Figure I for Steps 13-14

Step 13: Reconnect the MAF sensor harness.

Step 14: Secure the hood latch cable into the slot on the aFe Power housing. The installation is now completed, enjoy your aFe Power air intake system.

NOTE: Check all bolts, clamps and connectors after 100-200 miles.

PAGE INTENTIONALLY LEFT BLANK



Pro DRY S Air Filter



P/N: 21-91056

Pro 5R Air Filter



P/N: 24-91056

Pro DRY S Restore Kit



P/N: 90-59999

Blue Squeeze Restore Kit



P/N: 90-50501

SCORCHER GT Module



P/N: 77-46324

Sprint Booster V3



P/N: 77-16302

aFe Motorsport T-Shirt



P/N: 40-30442-B (M)
40-30443-B (L)
40-30444-B (XL)

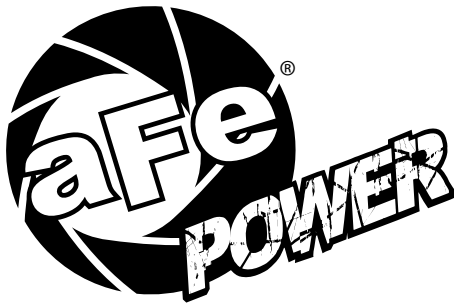
Warranty

General Terms:

- aFe warrants their products to be free from manufacturer's defects due to workmanship and material.
- This warranty applies only to the original purchaser of the product and is non-transferrable.
- Proof of purchase of the aFe product is required for all warranty claims.
- Warranty is valid provided aFe instructions for installation and/or cleaning were properly followed.
- Proper maintenance with regular inspections of product is required to insure warranty coverage.
- Damage due to improper installation, abuse, unauthorized repair or alteration is not warranted.
- Incidental or consequential damages or cost, including installation and removal of part, incurred due to failure of aFe product is not covered under this warranty.
- All warranty is limited to the repair and/or replacement of the aFe part. To request Return Goods Authorization ("RGA"), email RGA@afepower.com or call (951)493-7100. Upon receipt of the RGA, you must return the product to the address provided in the RGA, freight prepaid and accompanied with a dated proof of purchase and the RGA. Upon receipt of the defective product and upon verification of proof of purchase, aFe will either repair or replace the defective product within a reasonable time, not to exceed thirty days.

Product Category	P/N Prefix	Warranty duration
Direct OE Replacement Filters	10, 11, 30, 31, 71, 73	Life of the vehicle
Racing Filters	18	1 year
Universal	21, 24, 72	2 years
Air Intake Systems	50, 51, 54, 55, 75	2 years
Exhaust Systems	49	2 years
Intercoolers & Intercooler Tubes	46-2	2 years
Intake Manifolds	46-1	2 years
Differential Cover	46-7	Life of the vehicle
Exhaust Manifolds	46	2 years
Throttle Body Spacers	46-3	2 years
Fluid Filters	44	90 days
Pre-Filters	28	2 years
Heavy Duty OE Replacement	70	2 years
PowerSports OE Replacement	81, 87	2 years
PowerSports Intake Systems	85	2 years

No other warranty expressed or implied applies nor is any person or advanced FLOW engineering authorized to assume any other warranty. Some States do not allow the exclusion or limitation of incidental or consequential damages or do not allow limitations on how long an implied warranty lasts, so the above limitations or exclusions may not apply to you. This warranty gives you specific legal rights, and you may also have other rights which vary from State to State.



advanced FLOW engineering, inc.
252 Granite Street Corona, CA 92879
TEL: 951.493.7100 • TECH: 951.493.7134
E-Mail: Tech@aFepower.com