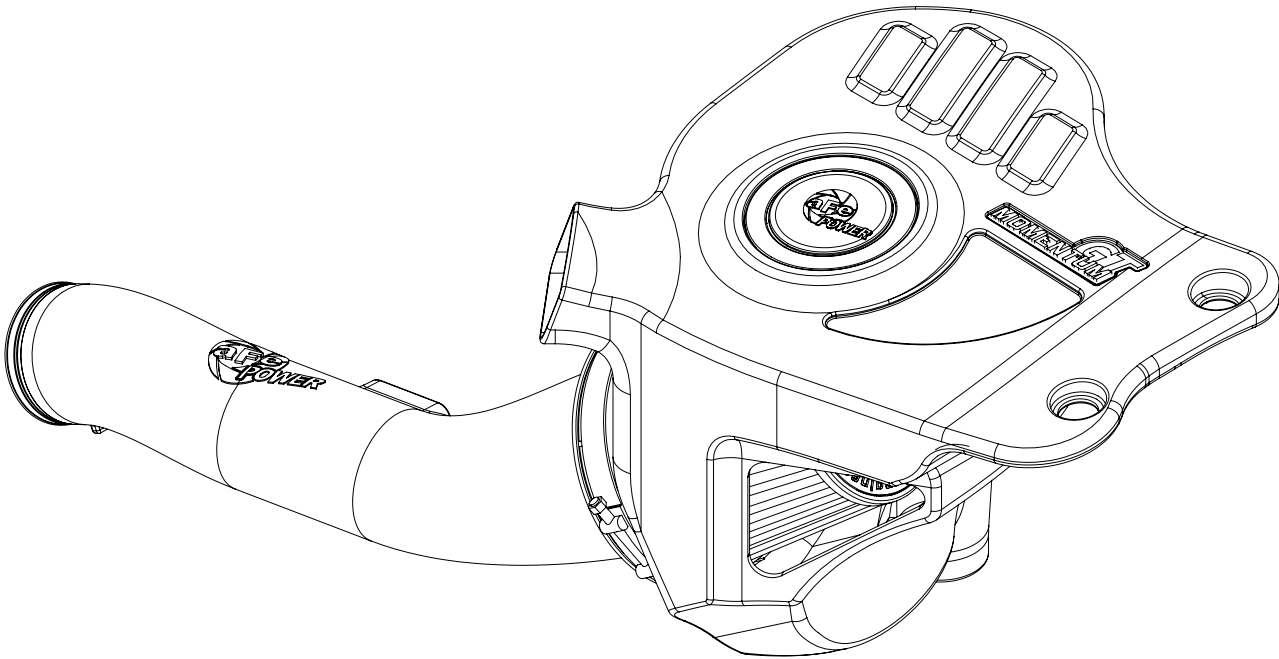


GT
MOMENTUM™



advanced FLOW engineering Momentum GT Intake System

Instruction Manual P/N: 51-76315 / 54-76315

Make: **BMW** Model: **Z4 28i (E89)** Year: **2012-2016** Engine: **L4-2.0L (t) N20**

Make: **BMW** Model: **Z4 18i (E89)** Year: **2013-2016** Engine: **L4-2.0L (t) N20**

Make: **BMW** Model: **Z4 20i (E89)** Year: **2011-2016** Engine: **L4-2.0L (t) N20**

NOTE: Includes sDrive models.



- Please read the entire instruction manual before proceeding.
- Ensure all components listed are present.
- If you are missing any of the components, call customer support at 951-493-7100.
- Ensure you have all necessary tools before proceeding.
- Do not attempt to work on your vehicle when the engine is hot.
- Disconnect the negative battery terminal before proceeding.

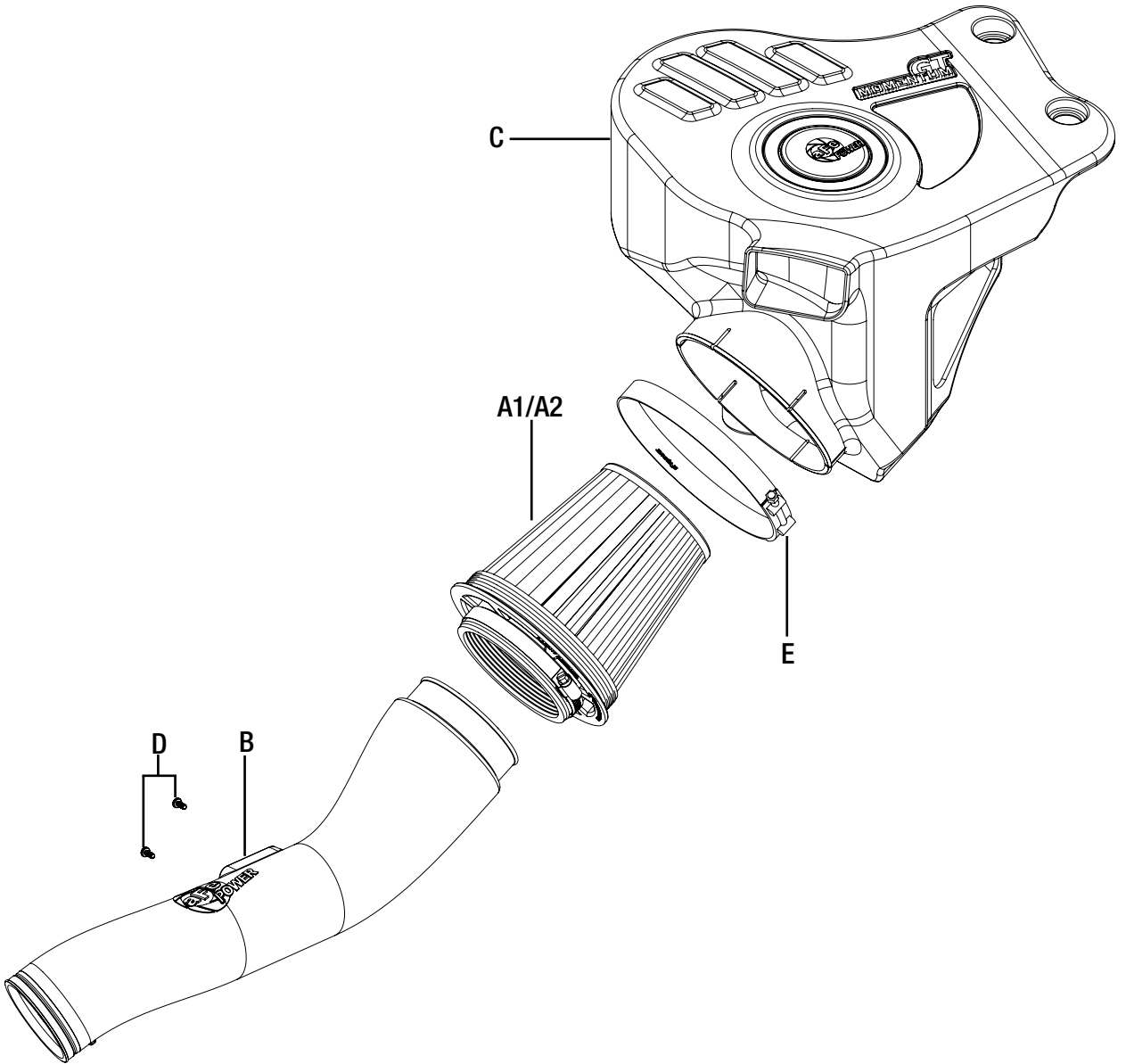
Retain factory parts for future use.

Label	Qty.	Description	Part Number
A1	1	Air Filter (Pro DRY S)	21-91073
A2	1	Air Filter (Pro 5R)	24-91073
B	1	Tube	05-76315B1
C	1	Housing	05-76315B2
D	2	Screw, Torx: M4	03-50489
E	1	Clamp, T-bolt	03-50266

Installation will require the following tools:

Flat head screwdriver, 8mm nut driver, 10mm nut driver, 11mm socket, socket wrench and T20 torx driver.

Note: Legal in California for use on race vehicles only. The use of this device on vehicles used on public streets or highways is strictly prohibited in California and others states that have adopted California emission regulations.





REMOVAL

Figure A

Refer to Figure A for Steps 1-5.

Step 1: Remove the two OE 10mm bolts attaching the OE airbox to the vehicle (1). Keep the bolts for later use.

Step 2: Loosen the clamp joining both intake tubes (2). Keep the clamp for later use.

Step 3: Disconnect MAF sensor from the OE intake. (3)

Step 4: Detach the four clips around the OE airbox. (4)

Step 5: Carefully, remove the front half of the OE airbox, and remove the OE filter. It may help to remove the OE air duct (5).

REMOVAL



Figure B

Refer to Figure B for Step 6.

Step 6: Remove the back half of the OE airbox and the intake tube from the engine bay.



Figure C

Refer to Figure C for Steps 7-8.

Step 7: Insert the aFe filter and supplied clamps into the aFe airbox. Position the clamps as shown, and tighten only the clamp joining the air filter and airbox (6).

Step 8: Transfer the two OE grommets from the OE airbox to the aFe airbox. (7)

**Figure D****Refer to Figure D for Step 9.**

Step 9: Transfer the MAF sensor from the OE intake housing to the aFe intake tube using the supplied M4 screws. ⑧

**Figure E****Refer to Figure E for Steps 10-12.**

Step 10: Carefully guide the aFe tube into the engine bay.

Step 11: Insert the aFe tube into the OE intake tube. Do NOT tighten the OE clamp at this time.

Step 12: Connect the MAF harness to the MAF sensor.

Note: We suggest routing the MAF harness below the oil cooler.



Figure F

Refer to Figure F for Steps 13-16.

Step 13: Align the aFe airbox to sit comfortably in the engine bay. If you removed the OE air duct in Step 5, make sure to re-install at this time.

Step 14: Insert, and align the aFe tube into the air filter. Tighten the clamp joining the aFe tube and air filter. Tighten the clamp joining the aFe tube to the OE tube.

Step 15: Install the two OE 10mm bolts from Step 1 to fix the aFe airbox to the vehicle.

Step 16: Verify all connections are secure. Your installation is now complete! Thank you for choosing aFe POWER.



Pro DRY S Air Filter



P/N: 21-91073

Pro 5R Air Filter



P/N: 24-91073

Pro DRY S Restore Kit



P/N: 90-59999

Blue Squeeze Restore Kit



P/N: 90-50501

SCORCHER GT Module



P/N:77-46316

aFe POWER T-Shirt



P/N: 40-30441-B (S)
40-30442-B (M)
40-30443-B (L)
40-30444-B (XL)
40-30445-B (2XL)

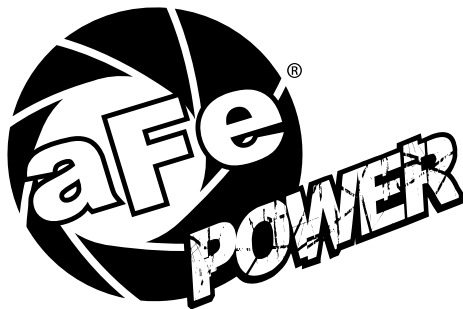
Warranty

General Terms:

- aFe warrants their products to be free from manufacturer's defects due to workmanship and material.
- This warranty applies only to the original purchaser of the product and is nontransferable.
- Proof of purchase of the aFe product is required for all warranty claims.
- Warranty is valid provided aFe instructions for installation and/or cleaning were properly followed.
- Proper maintenance with regular inspections of product is required to insure warranty coverage.
- Damage due to improper installation, abuse, unauthorized repair or alteration is not warranted.
- Incidental or consequential damages or cost, including installation and removal of part, incurred due to failure of aFe product is not covered under this warranty.
- All warranty is limited to the repair and/or replacement of the aFe part. To request Return Goods Authorization ("RGA"), email RGA@afepower.com or call (951)493-7100. Upon receipt of the RGA, you must return the product to the address provided in the RGA, freight prepaid and accompanied with a dated proof of purchase and the RGA. Upon receipt of the defective product and upon verification of proof of purchase, aFe will either repair or replace the defective product within a reasonable time, not to exceed thirty days.

Product Category	P/N Prefix	Warranty duration
Direct OE Replacement Filters	10, 11, 30, 31, 71, 73	Life of the vehicle
Racing Filters	18	1 year
Universal	21, 24, 72	2 years
Air Intake Systems	50, 51, 54, 55, 75	2 years
Exhaust Systems	49	2 years
Intercoolers & Intercooler Tubes	46-2	2 years
Intake Manifolds	46-1	2 years
Differential Cover	46-7	Life of the vehicle
Exhaust Manifolds	46	2 years
Throttle Body Spacers	46-3	2 years
Fluid Filters	44	90 days
Pre-Filters	28	2 years
Heavy Duty OE Replacement	70	2 years
PowerSports OE Replacement	81, 87	2 years
PowerSports Intake Systems	85	2 years

No other warranty expressed or implied applies nor is any person or advanced FLOW engineering authorized to assume any other warranty. Some States do not allow the exclusion or limitation of incidental or consequential damages or do not allow limitations on how long an implied warranty lasts, so the above limitations or exclusions may not apply to you. This warranty gives you specific legal rights, and you may also have other rights which vary from State to State.



advanced FLOW engineering, inc.
252 Granite Street Corona, CA 92879
TEL: 951.493.7100 • TECH: 951.493.7134
E-Mail: Tech@aFepower.com