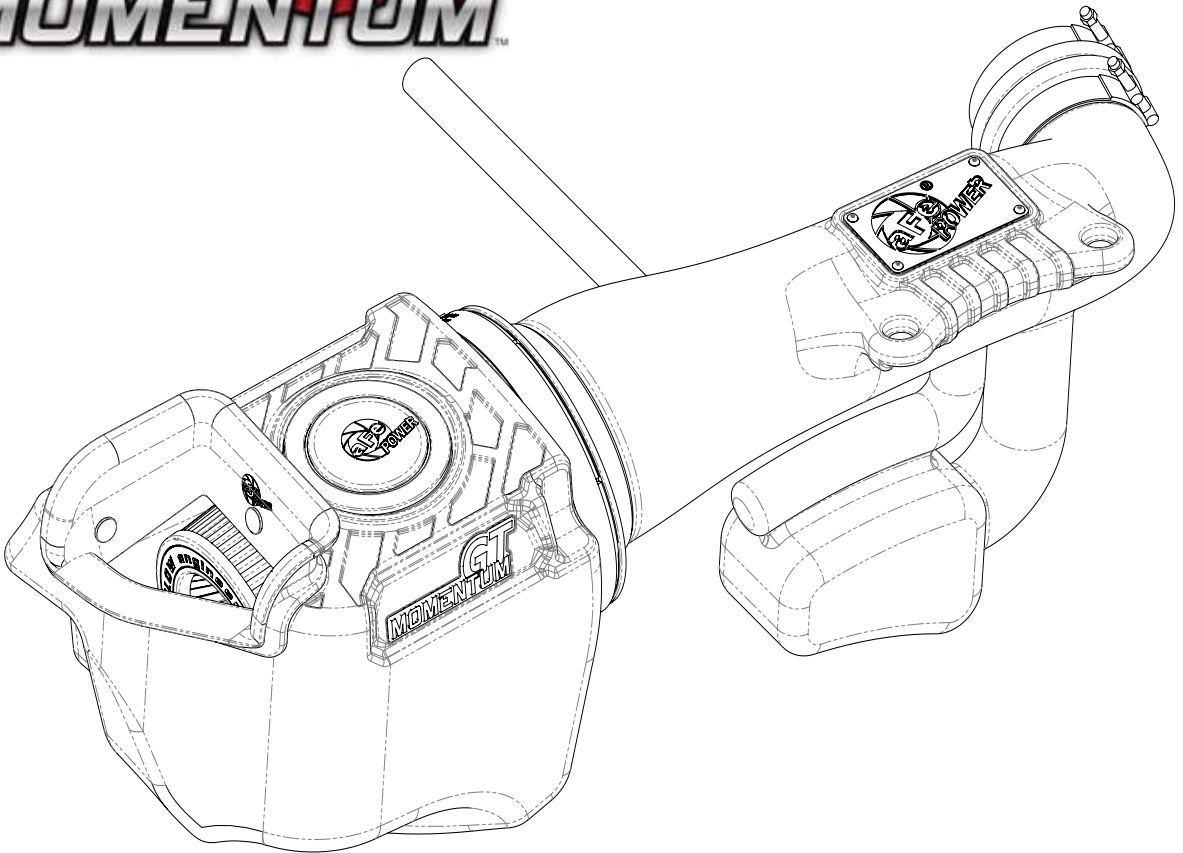




**GT**  
**MOMENTUM™**



**advanced FLOW engineering**

Momentum GT Cold Air Intake System

**Instruction Manual P/N: 51-76212 / 54-76212 / 75-76212**

Make: Jeep Model: Wrangler (JK) Year: 2012-2018 Engine: V6-3.6L

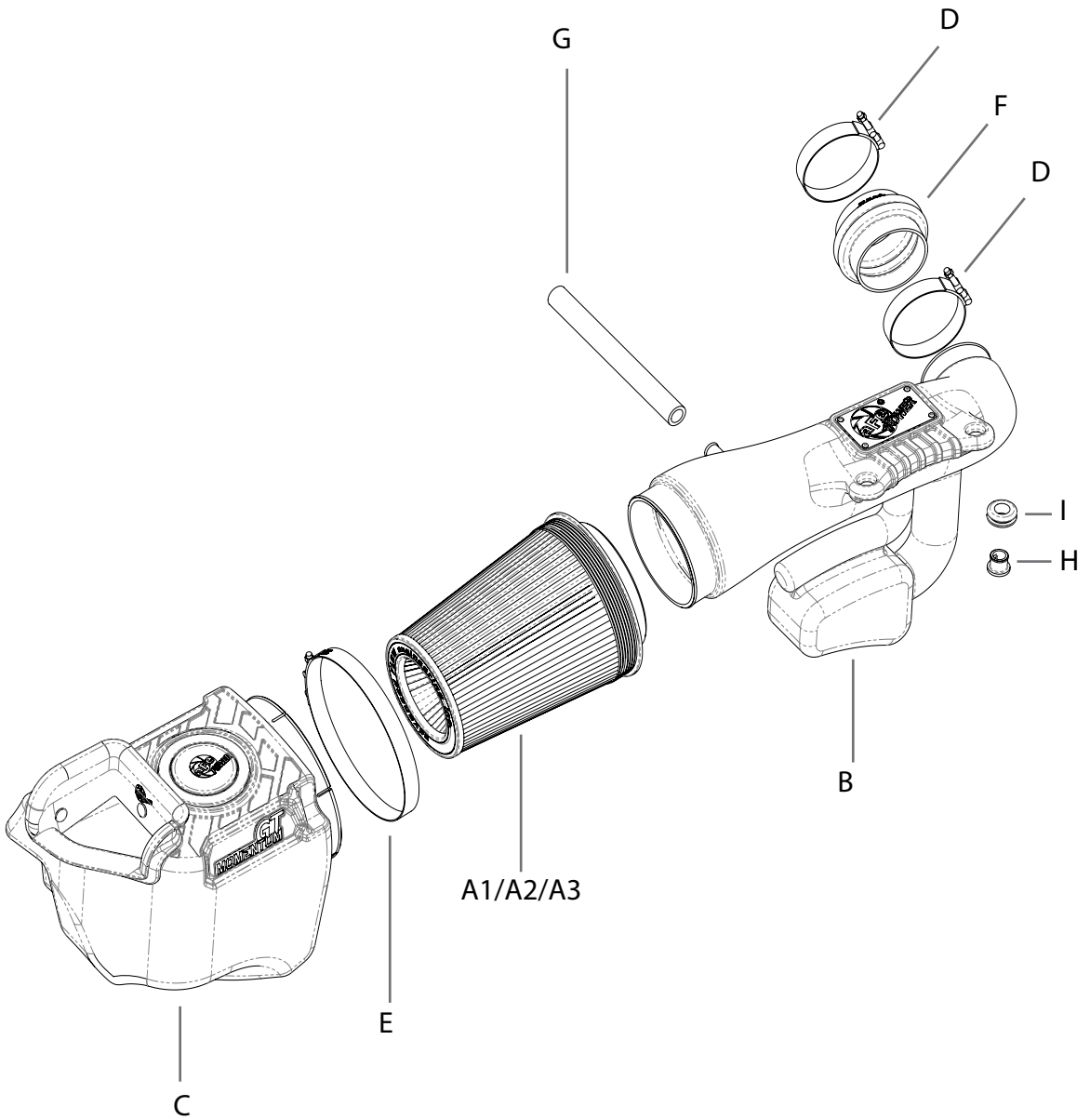


- Please read the entire instruction manual before proceeding.
- Ensure all components listed are present.
- If you are missing any of the components, call customer support at 951-493-7185.
- Ensure you have all necessary tools before proceeding.
- Do not attempt to work on your vehicle when the engine is hot.
- Disconnect the negative battery terminal before proceeding.
- Retain factory parts for future use.

Label	Qty.	Description	Part Number
A1	1	Air Filter (Pro DRY S)	21-91125
A2	1	Air Filter (Pro 5R)	24-91125
A3	1	Air Filter (Pro GUARD 7)	72-911125
B	1	Tube	05-76212B1
C	1	Housing	05-76212B2
D	2	Clamp, T-bolt, (3-5/16-3-5/8)	03-50292
E	1	Clamp, T-bolt, (7-7.38)	03-50290
F	1	Coupler, Silicone Bellows	05-01400
G	1	Hose, Fuel: 5/8" (9" inches)	05-00069
H	1	Fitting, Air Temp Sensor	05-01454
I	1	Grommet, Rubber	03-50167

Tools needed: 8mm nut driver, 10mm nut driver or deep socket, 11mm nut driver or deep socket.

Warranty Information available at: <https://afepower.com/contact#warranty>





Refer to Figure A for Step 1

Step 1: Remove the engine cover by lifting firmly out of the vehicle.



Refer to Figure B for Steps 2-6

Step 2: Remove the two 10mm bolts from the intake tube. ①

Step 3: Disconnect the temp sensor wire harness. ②

Step 4: Loosen the hose clamp at the throttle body.

Step 5: Completely remove the small section of crankcase vent (CCV) hose. It should be pulled off of the air filter housing and the tube to the engine. ③

Step 6: Remove the stock intake tube, and air filter housing by pulling straight up and out of the vehicle.



FigureC

Refer to Figure C for Step 7

Step 7: Lift up on the small locking tab on the temp sensor, twist the sensor about 45 degrees counter-clockwise, and pull the sensor straight up to remove from stock intake tube.



FigureD

Refer to Figure D for Steps 8-10

Step 8: Install the large clamp loosely over the back of the air intake housing.

Step 9: Insert the aFe air filter into the housing and make sure the clamp is loose.

Step 10: Install the housing with the air filter into the rubber grommets.



FigureE

Refer to Figure E for Steps 11-13

Step 11: Install the grommet into the intake tube.

Step 12: Insert the plastic temp sensor adaptor into the grommet.

Step 13: Install the temp sensor into the plastic adaptor, and make sure the plastic tab locks into place.



Figure F

Refer to Figure F for Steps 14-15

Step 14: Remove the metal sleeves and rubber grommets from the OE intake tube and reinstall them into the new aFe intake tube as shown.

Step 15: Place the small t-bolt clamps loosely over the silicone coupler and slide the coupler onto the end of the intake tube.



Figure G

Refer to Figure G for Steps 16-18

Step 16: Route the coolant overflow line above the fan shroud as shown. ④

Step 17: Insert the large end of the tube into the aFe filter and plug in the temperature sensor.

Step 18: Install the coupler end of the intake tube over the throttle body.



Figure H

Refer to Figure H for Steps 19-21

Step 19: Install the new CCV hose provided between the intake tube and the hard plastic tube. ⑤

Step 20: The coolant overflow line should sit just under the mounting tabs on the intake tube.

Step 21: Secure the tube to the fan shroud with the two bolts removed previously.



Figure I

Refer to Figure I for Steps 22-23

Step 22: Tighten all four of the clamps at this time.

Step 23: Reinstall the engine cover. Your installation is now complete.

**NOTE: Retighten all connections after approximately 100-200 miles.**

**Please enclosed CARB EO sticker on or near the device on a smooth, clean surface.**

**EO identification label is required to pass the smog inspection.**

Page left blank intentionally



PAGE LEFT BLANK INTENTIONALLY

PAGE LEFT BLANK INTENTIONALLY



advanced FLOW engineering, inc.

252 Granite Street Corona, CA 92879

<https://afepower.com/contact>