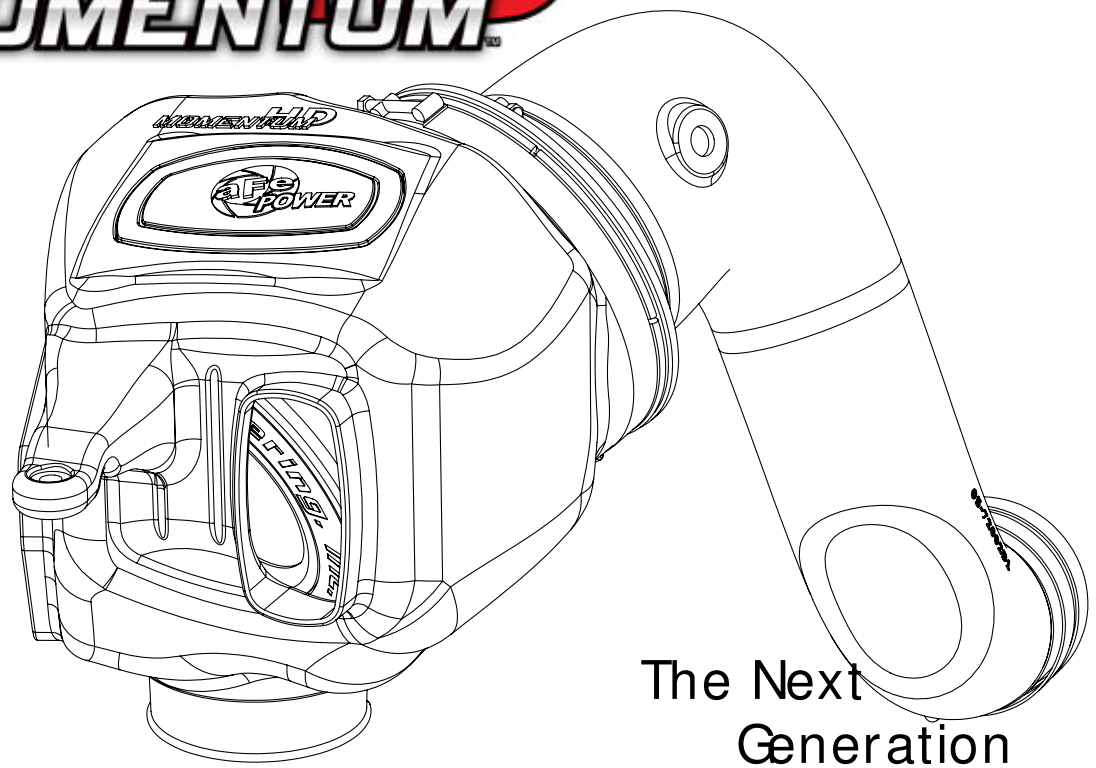




MOMENTUM HD



The Next
Generation
of Intakes

advanced FLOW engineering Momentum Air Intake

Instruction Manual P/N: 50-72002

Make: **Dodge** Model: **RAM 2500/3500** Year: **2003-2007** Engine: **L6-5.9L (td) Cummins**



- Please read the entire instruction manual before proceeding.
- Ensure all components listed are present.
- If you are missing any of the components, call technical support at 951-493-7100 or e-mail tech@afepower.com.
- Ensure you have all necessary tools before proceeding.
- Do not attempt to work on your vehicle when the engine is hot.
- Disconnect both the negative battery terminal before proceeding.

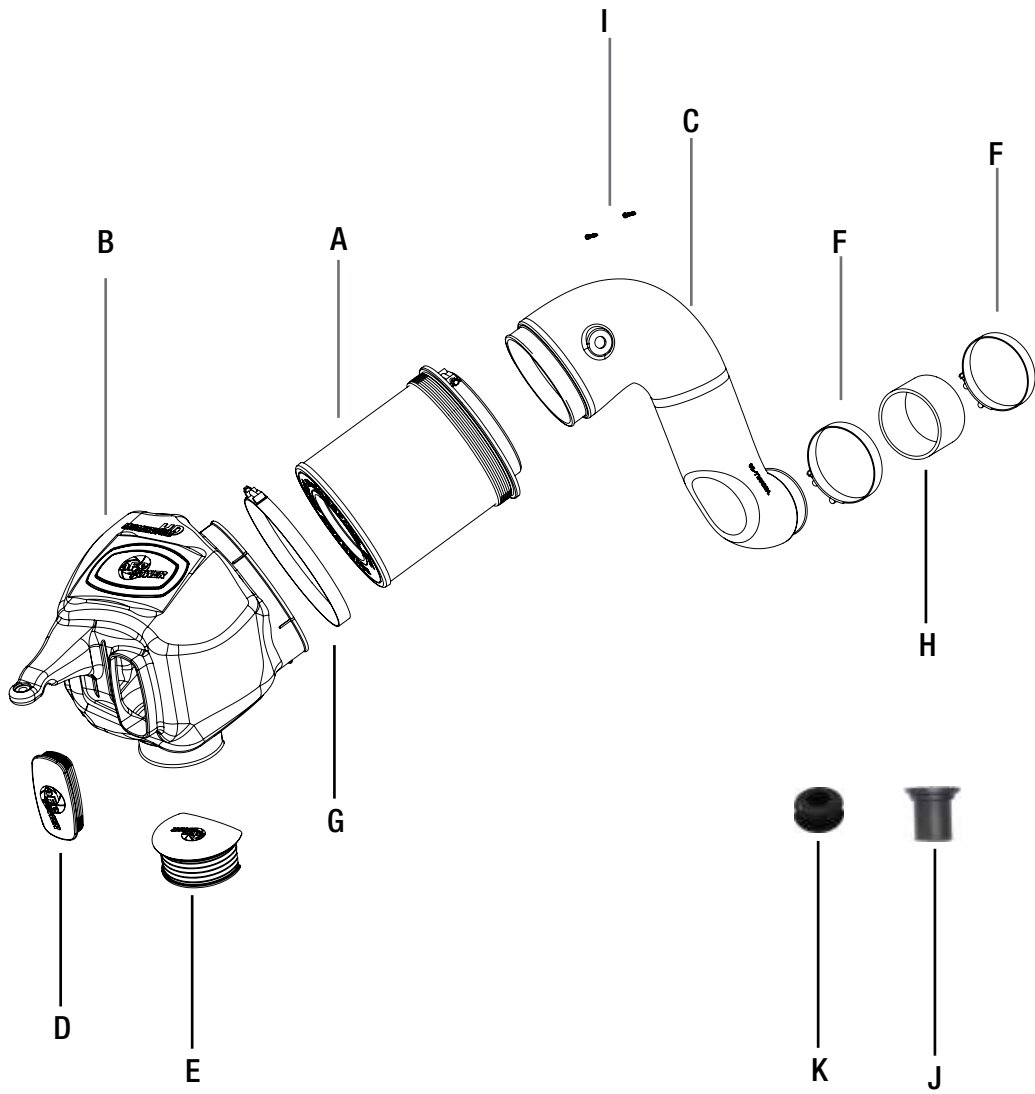
Retain factory parts for future use.

Label	Qty.	Description	Part Number
A	1	PRO 10R (Blue Media)	20-91059
B	1	Housing	05-72004B2
C	1	Tube	05-72002B1
D	1	Plug, Urethane	05-01202
E	1	Plug, Scoop, Internal	05-01192
F	2	Clamp, T-bolt (4-1/8")	03-50499
G	1	Clamp, T-bolt (8-5/16")	03-50267
H	1	Coupling, Straight	05-00715
I	2	Screw, M4	03-50489
J	1	Cap	03-50103
K	1	Grommet	03-50033

Warranty Information available at: <https://afepower.com/contact#warranty>

Installation will require the following tools:

8mm, 10mm and socket or nut driver, Pliers, flat screw driver.



**Figure A****Refer to Figure A for steps 1-3**

Step 1: Remove the nut (1) holding the factory air box down with a 10mm socket or driver.

Step 2: Disconnect the wiring harness from the temperature sensor (2).

Step 3: Loosen the clamp connecting the factory intake tube to the turbocharger and pull the entire intake system out of the vehicle.



Refer to Figure B for steps 4-5

NOTE: Wipe the filter flange with acetone to remove excess oil.

Step 4: Slide the aFe Filter into the Momentum HD housing. Install the larger clamps on the housing and filter. Do not tighten as that time.

Step 5: If you are not installing the air scoop and wish to close off the extra air inlet, install the furnished plug to close off the bottom opening (3) and/or the front opening (4).

The bottom air scoop plug must be installed from the inside before the filter is installed. (3)



Figure C

Refer to Figure C for steps 6-7

Step 6: Install the momentum HD housing into the vehicle by pushing it into the factory mounting grommet.

Step 7: Re-install the factory nut (5) removed at step 1 to secure the housing. Do not completely tighten yet.



Figure D

Refer to Figure D for steps 8-10

- Step 8: Transfer the temperature sensor (6) from the factory air box to the aFe tube. Use the furnished M4 screws to secure the sensor on the aFe tube.
- Step 9: Install the furnished silicone coupling and T-bolt clamps (7) on the small inlet. Do not tighten yet.
- Step 10: Transfer the filter minder and factory grommet (8) from the factory housing to the aFe Tube. If your truck is not equipped with a filter minder, just plug off the hole with the furnished grommet and cap.

**Figure E****Refer to Figure E for steps 11-12**

Step 11: Install the aFe tube into the vehicle by sliding the coupling over the turbo then by connecting the tube to the filter. Make sure everything is correctly align, then tighten all clamps and nut.

Step 12: Reconnect the temperature sensor harness (9) .



Figure F

Refer to Figure F for step 13

Step 13: Verify all connections are secured. Your installation is now completed.

NOTE: Verify all connections are secured after 100-200 miles. Place enclosed CARB EO sticker on or near the intake system on a smooth/clean surface. EO identification label is required to pass the smog test inspection.



PAGE LEFT BLANK INTENTIONALLY

PAGE LEFT BLANK INTENTIONALLY



advanced FLOW engineering, inc.
252 Granite Street Corona, CA 92879
TEL: 951.493.7155 • TECH: 951.493.7100