

advanced FLOW engineering

Momentum HD Air Intake System

Instruction Manual P/N: 50-74001/51-74001 / 54-74001 & 75-74001

Make: **GM** Model: **Diesel Trucks** Year: **2001-2004** Engine: **V8-6.6L (td) LB7**



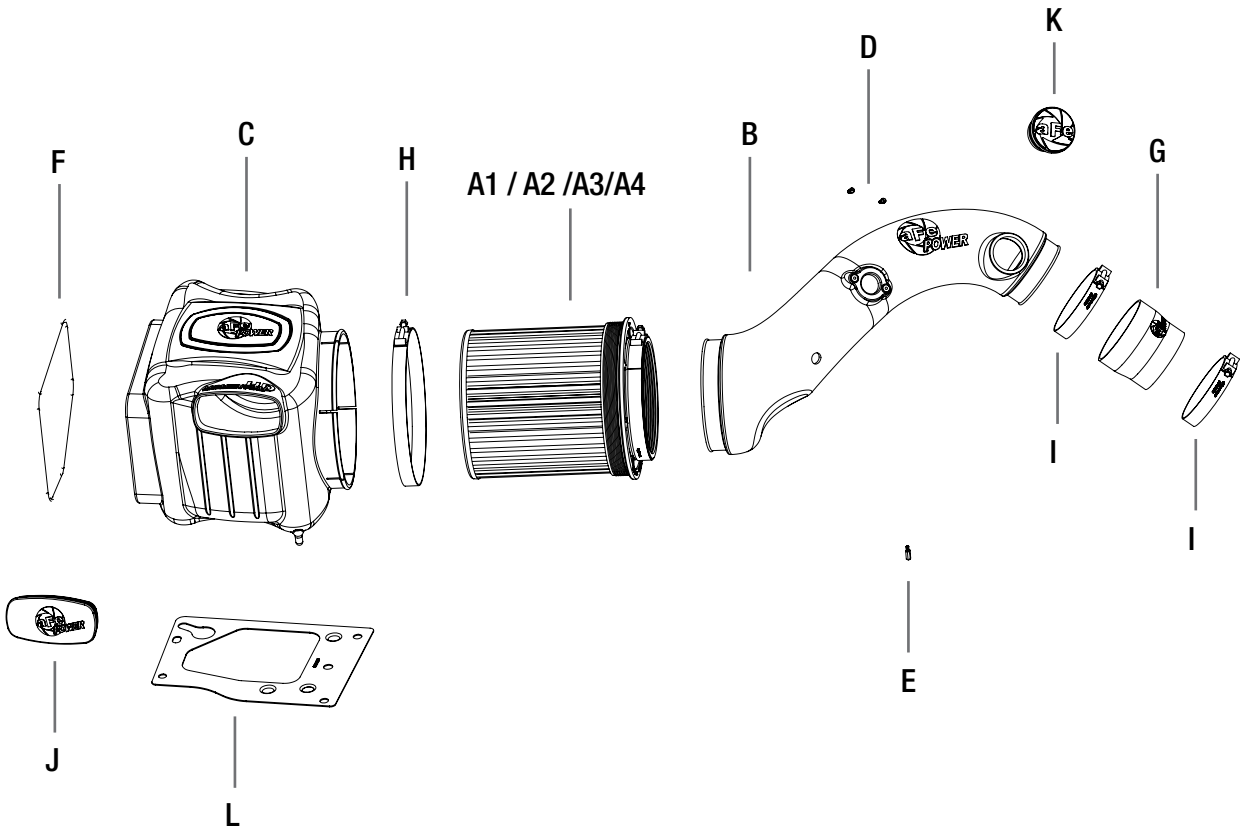
- Please read the entire instruction manual before proceeding.
- Ensure all components listed are present.
- If you are missing any of the components, call customer support at 951-493-7100.
- Ensure you have all necessary tools before proceeding.
- Do not attempt to work on your vehicle when the engine is hot.

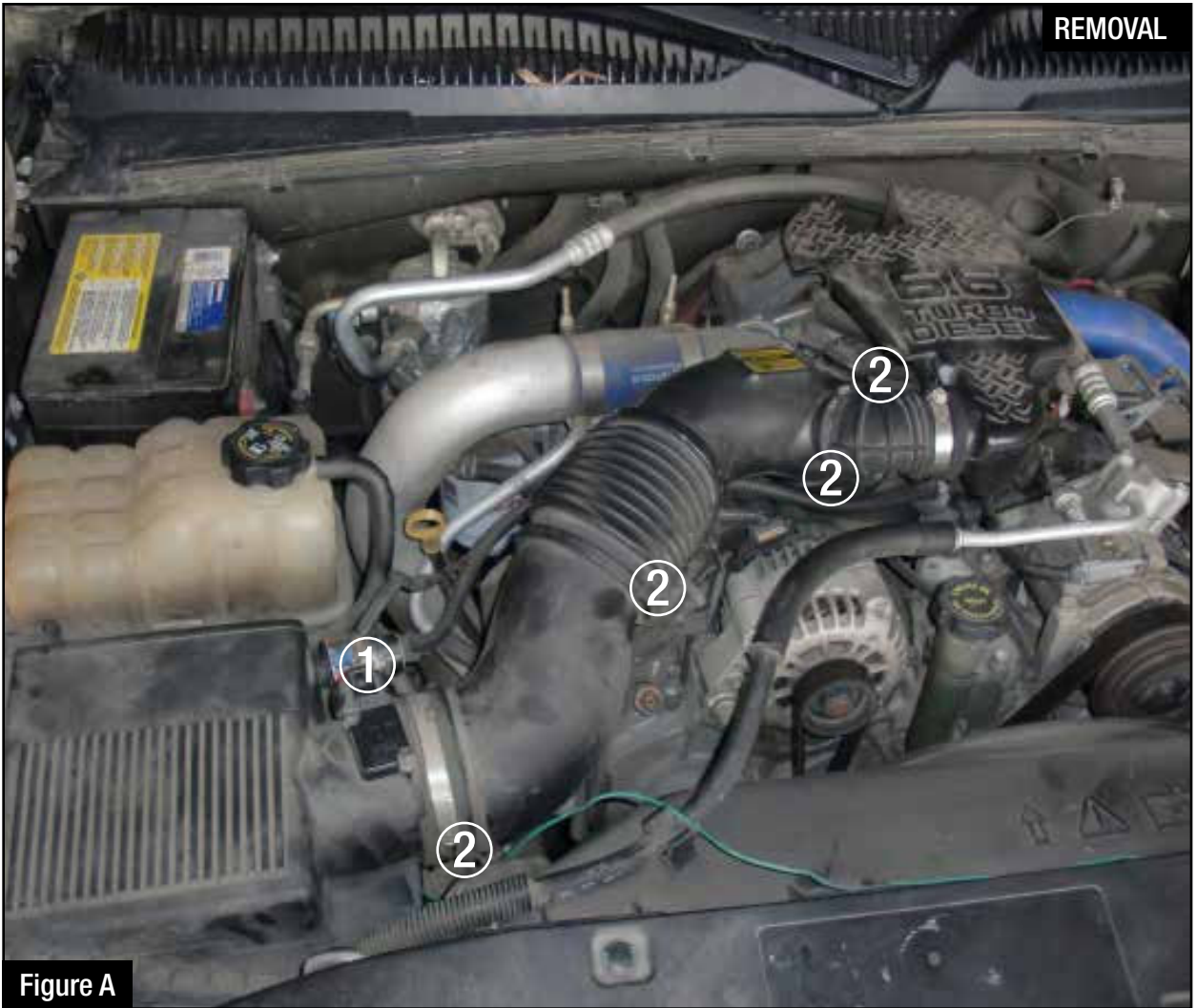
Retain factory parts for future use.

Label	Qty.	Description	Part Number
A1	1	Air Filter (Pro 5R)	24-91059
A2	1	Air Filter (Pro DRY S)	21-91059
A3	1	Air Filter (Pro GUARD 7)	72-91059
A4	1	Air Filter (Pro 10R)	20-91059
B	1	Tube	05-74001B1
C	1	Housing	05-74003B2-S
D	2	Screw, M4 x .7 x 8	03-50034
E	1	Torx Bit T20	03-50066
F	1	Trim Seal, 26" L	05-00072
G	1	Coupling, 3-1/2"x3-3/4"	05-01203
H	1	Clamp T-bolt, 8-5/16"-8-5/8"	03-50267
I	2	Clamp T-bolt, 3-3/4" - 4-1/16"	03-50265
J	1	Plug, Housing	05-01202
K	1	Plug, Resonator	05-00850
L	1	Plate, Mounting	05-01291

Warranty Information available at: <https://afepower.com/contact#warranty>

Installation will require the following tools:
Phillips screw driver, 8mm nut driver, 10mm and 11mm socket, and extension.





Refer to Figure A for step 1-3

Step 1: Disconnect Mass Air Flow Sensor (MAF) 1 .

Step 2: Loosen all Intake tube Clamps 2 using a 8mm Nut Driver.

Step 3: Remove the factory intake tube and air box out of the vehicle.

(Use an upward pull to release the air box from its mounting grommets)

REMOVAL



Figure B

Refer to Figure B for steps 4

Step 4: Remove the factory foil ③ from the inside of the fender to allow more cold air to the airbox.



Figure C

Refer to Figure C for step 5

Step 5: Remove the factory air box mounting plate and replace with the aFe mounting plate 4 using the factory bolts. Transfer the factory mounting grommets from the factory plate to the aFe mounting plate.

**Figure D****Refer to Figure D for step 7**

Step 6: Clean the filter flange from the release agent before installing the filter into the housing.

Step 7: Slide the air filter in the Air Box. Install supplied T-bolt Clamps.

(Do not tighten clamps at this time)



Figure E

Refer to Figure E for steps 8-9

Step 8: Install the trim seal ⑤ on the edge of the Momentum HD Air Box.

Step 9: Remove the retaining plug ⑥ from the Factory Air Box and install it on the Momentum HD air box.



Figure D

Refer to Figure D for step 10

Step 10: Install the Momentum HD air box into the vehicle. Firmly push down into the factory mounting grommets.

(Use the supplied plug to close additional air inlet if you want a completely sealed air box)

**Figure E****Refer to Figure E for steps 11-15**

Step 11: Remove the MAF Sensor from the factory intake tube using T-20 torx Bit.

Step 12: Remove the Filter minder and the grommet it sits in from the factor air box.

Step 13: Install the MAF Sensor In the Momentum Intake tube using supplied screws.

Step 14: Install the factory grommet for the filter minder on the Momentum HD Intake Tube. Firmly push the filter minder into the grommet on the Intake tube.

Step 15: Install the furnished silicone hump coupler and the T-bolt Clamps on the aFe intake Tube.
(Do not tighten clamps at this time)



Figure D

Refer to Figure D for steps 16-20

- Step 16: Install the momentum HD intake tube into the vehicle. Slide the coupling into the filter side first, then rotate the tube down and slide it onto the turbo inlet.
- Step 17: Re-connect the resonator chamber. If your vehicle is not equipped with one or if you don't want to use it, plug the hole off with the furnished round plug.
- Step 18: Tighten all the T-bolt clamps.
- Step 19: Reconnect the MAF Sensor.
- Step 20: Your installation is now complete.

NOTE: Retighten all connections after approximately 100-200 miles.

Place enclosed CARB EO sticker on or near the device on a smooth, clean surface.

EO identification label is required to pass the smog inspection.



advanced FLOW engineering, inc.
252 Granite Street Corona, CA 92879
TEL: 951.493.7100