

advanced FLOW engineering

Quantum Air Intake System

Instruction Manual P/N: 53-10001D / 53-10001R

Make: **Dodge** Model: **RAM 2500/3500** Year: **1994-2002** Engine: **L6-5.9L (td) Cummins**



- Please read the entire instruction manual before proceeding.
- Ensure all components listed are present.
- If you are missing any of the components, call customer support at 951-493-7100 or e-mail at tech@afepower.com.
- Ensure you have all necessary tools before proceeding.
- Do not attempt to work on your vehicle when the engine is hot.
- Disconnect the negative battery terminal before proceeding.
- Retain factory parts for future use.

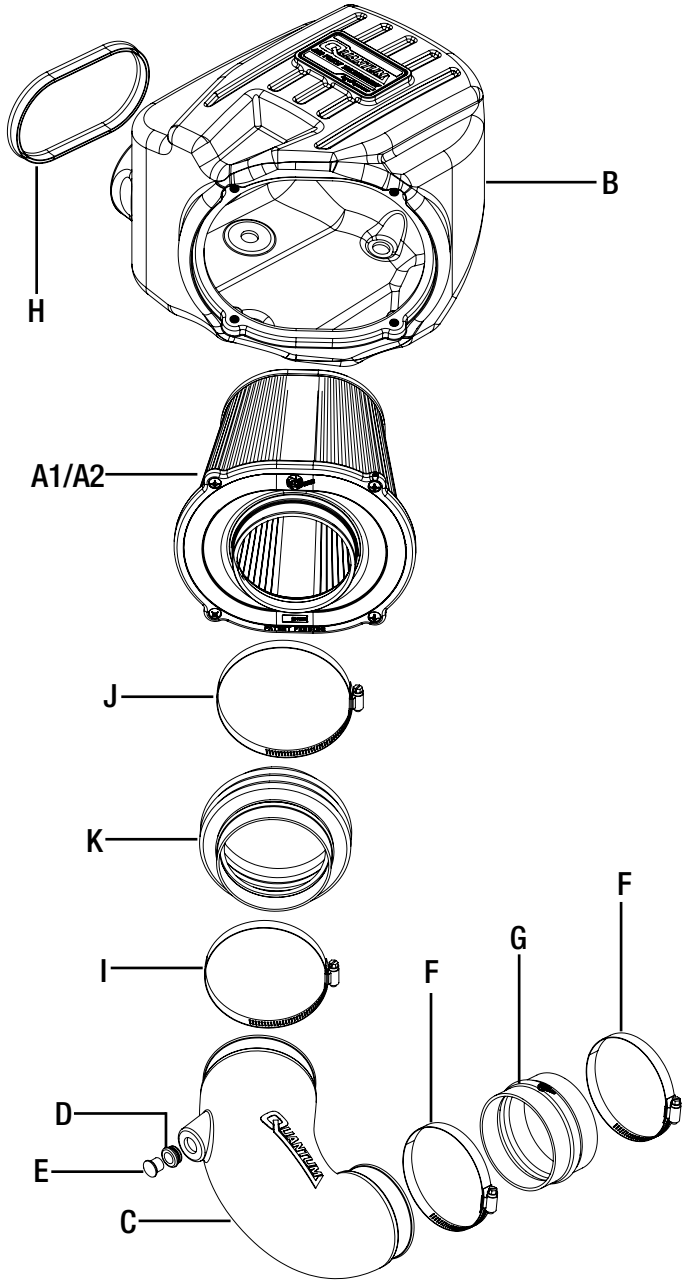
Label	Qty.	Description	Part Number
A1	1	Air Filter (Pro 5R)	R23-91129
A2	1	Air Filter (Pro DRY S)	R21-90098
B	1	Housing	05-52001B2
C	1	Tube	05-52001B1
D	1	Grommet	03-50033
E	1	Cap	03-50103
F	2	Clamp, #064	03-50006
G	1	Coupling, Silicone Hump	05-01332
H	1	Seal Trim (18")	05-00072
I	1	Clamp, #072	03-50010
J	1	Clamp, #080	03-50011
K	1	Coupling, Silicone Bellow	05-01457

Installation will require the following tools:

8mm Nut driver and Phillips #3 screwdriver.

Warranty Information available at: <https://afepower.com/contact#warranty>

Note: Legal in California for use on race vehicles only. The use of this device on vehicles used on public streets or highways is strictly prohibited in California and others states that have adopted California emission regulations.



**Figure A****Refer to Figure A for Step 1**

Step 1: Use an 8mm nut driver to loosen the OE clamps (1) at the turbo and the airbox. Remove the OE intake tube (2).



Figure B

Refer to Figure B for Step 2

Step 2: Un-clip the upper half of the airbox and remove upper half and air filter.



Refer to Figure C for Step 3

Step 3: Remove the lower half of the airbox (3) by pulling up to release airbox from its mounting grommets (4).

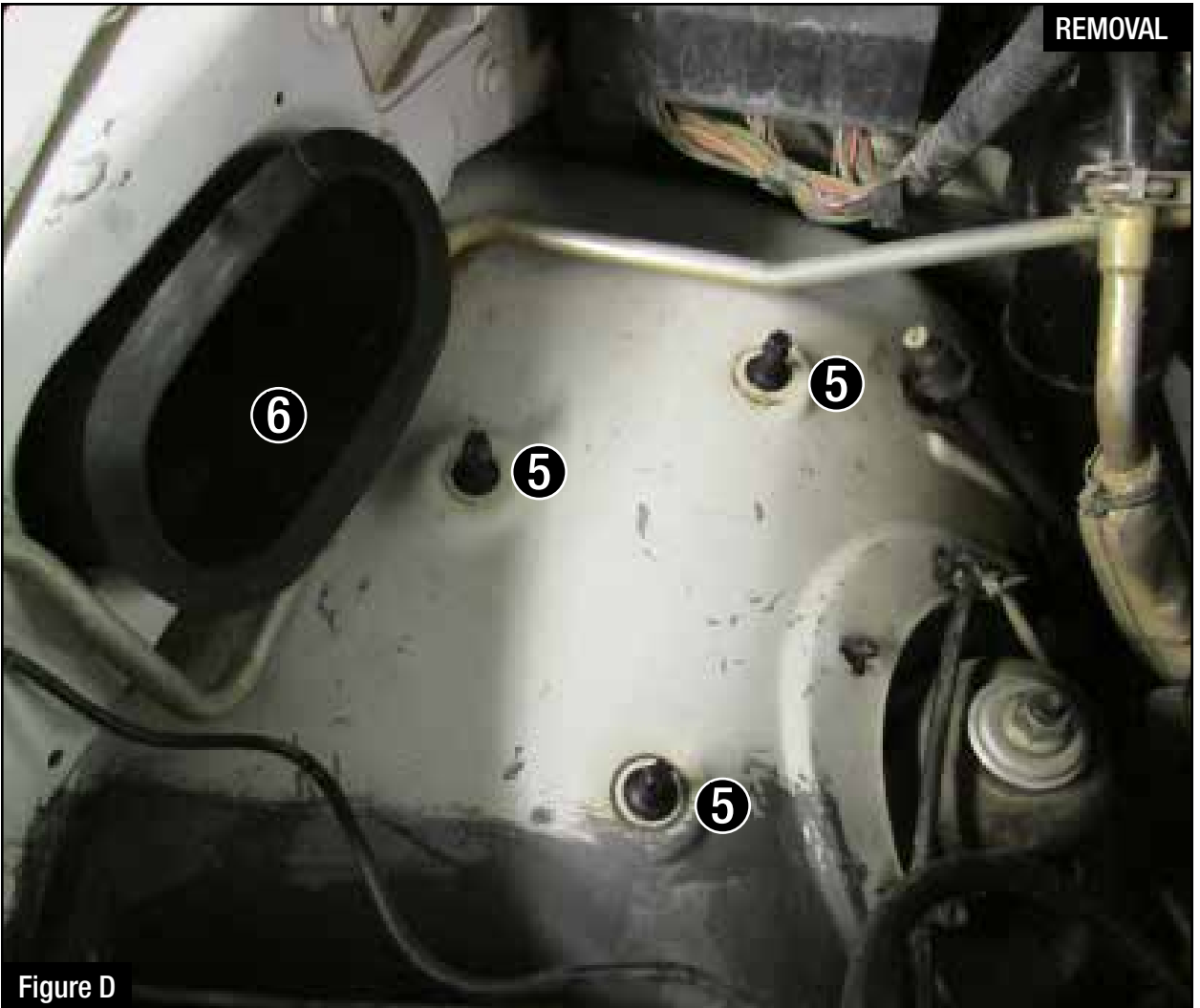


Figure D

Refer to Figure D for Step 4

Step 4: Make sure plastic inserts (5) are still on the mounting pins. If they pulled out and are stuck in the lower half of the airbox grommet, remove them and insert them back on the mounting pins. Remove the plastic air duct (6) that goes through the fender if equipped.



INSTALL



Figure E

Refer to Figure E for Step 5

Step 5: Remove all three grommets (7) from the lower half of the airbox and install them onto the aFe airbox.



Figure F

Refer to Figure F for Step 6

Step 6: Install the trim seal (8) on the opening of the aFe airbox.

**Figure G****Refer to Figure G for Steps 7-8**

Step 7: Slide the aFe filter into the aFe housing. Install the aFe filter using a #3 Phillips screwdriver. Tighten all (x4) screws.

Step 8: Install the supplied bellows coupler (9) onto the air filter using the supplied #80 clamp (10). Tighten the clamp.

**Figure H****Refer to Figure H for Step 9**

Step 9: Install the housing assembly into the vehicle by pushing down into the plastic pins.

Make sure pins are completely through the mounting grommets.



Figure I

Refer to Figure I for Step 10

Step 10: Install the aFe coupler (11) onto the turbo using the supplied #064 clamp (12). Tighten the clamp.

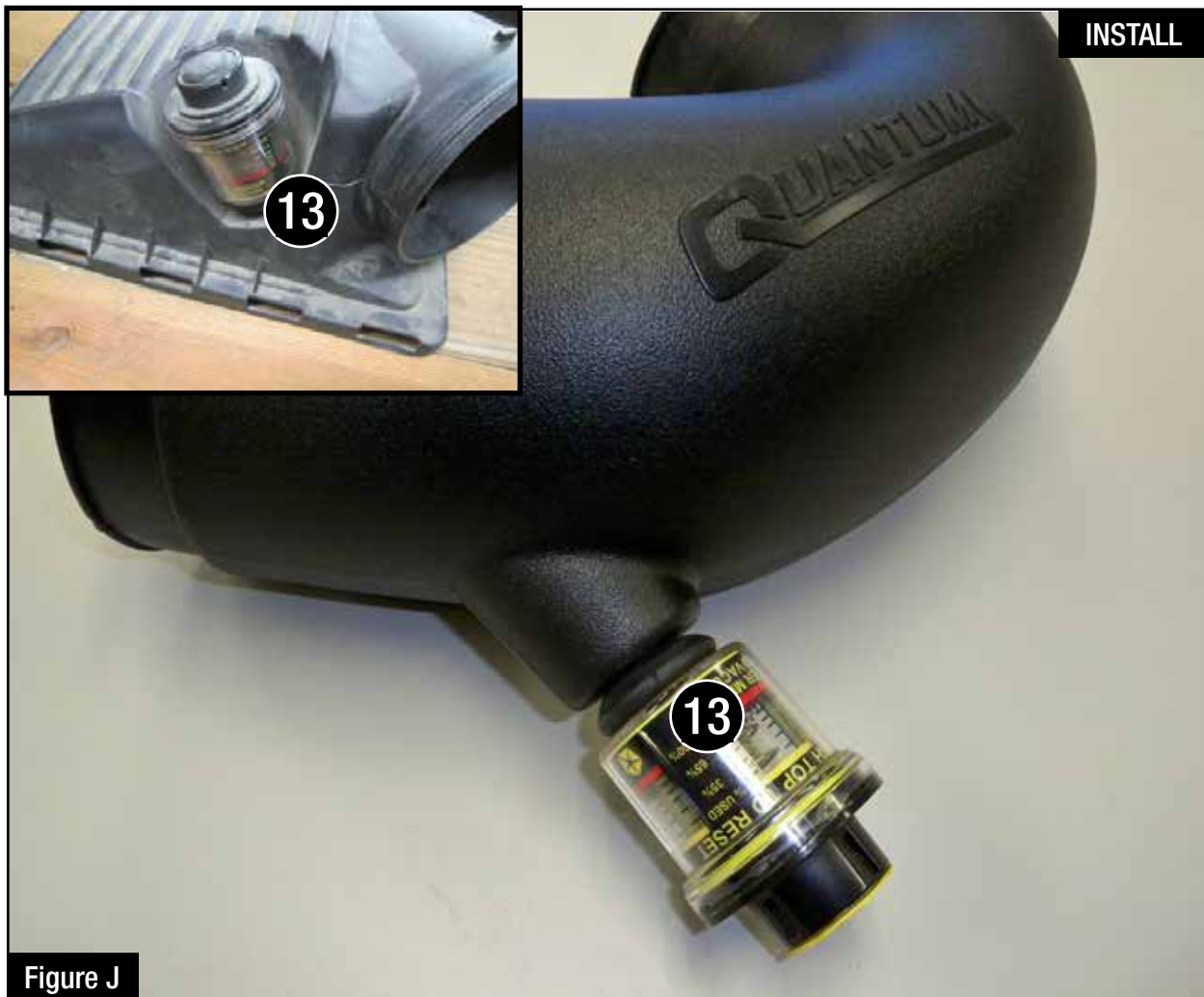


Figure J

Refer to Figure F for Step 11

Step 11: Remove the filter minder and grommet (13) from the upper half of the stock air box. Install the grommet into the aFe intake tube and then push in the filter minder. If you choose not to use the filter minder, just plug off the hole with the provided grommet and cap.

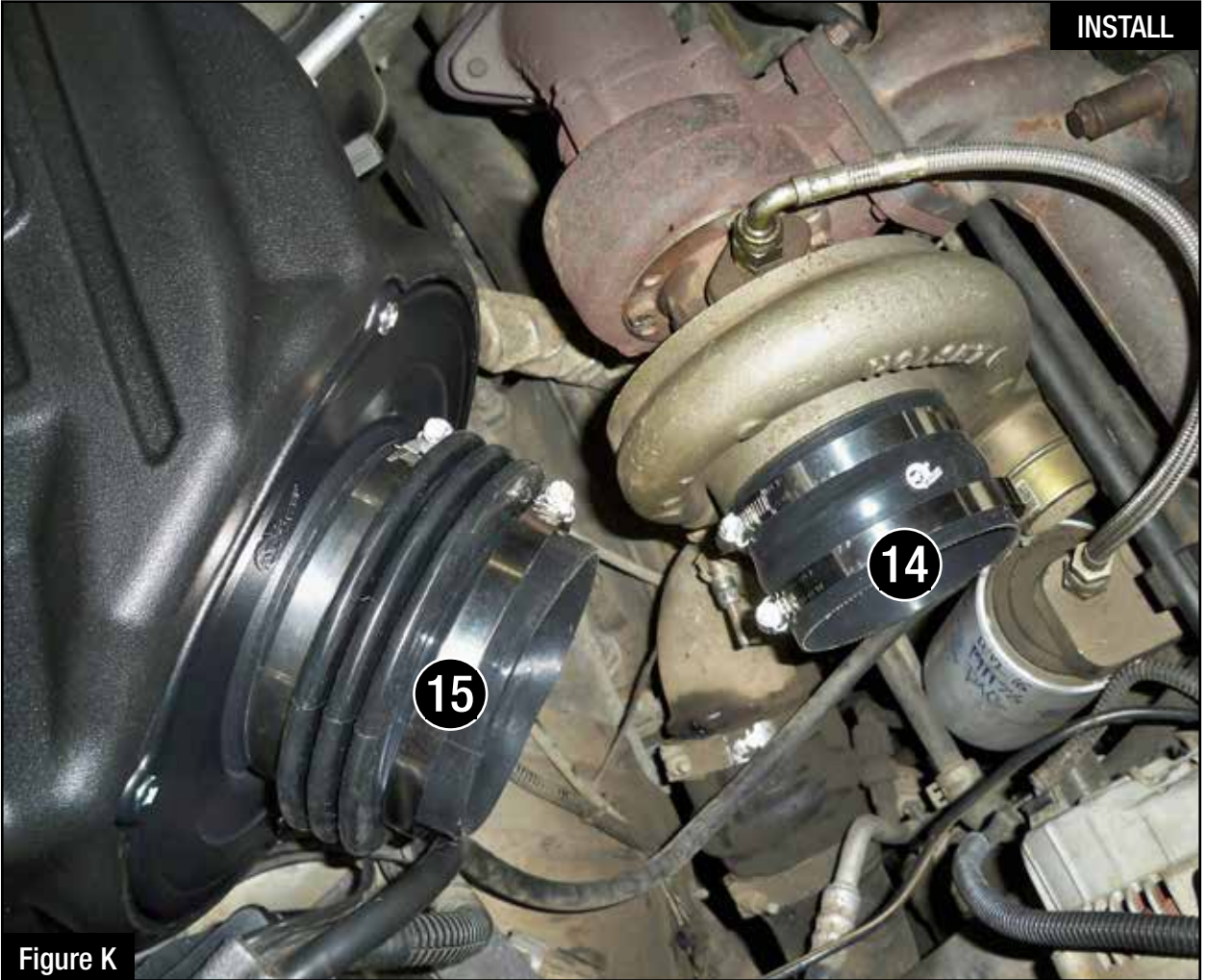


Figure K

Refer to Figure K for Step 12

Step 12: Install the provided #064 clamp (14) onto the coupler at the turbo and #072 clamp (15) onto the filter coupler.



Figure L

Refer to Figure L for Step 13

Step 13: Slide the aFe intake tube into the coupler at the filter, then install the intake tube into the coupler at the turbo. Tighten all clamps with an 8mm nut driver. Check all the components are tight and secure. Your installation is now complete.

NOTE: Check all bolts, clamps, and connectors after 100-200 miles.



advanced FLOW engineering, inc.
252 Granite Street Corona, CA 92879
TEL: 951.493.7100 • TECH: 951.493.7134
E-Mail: Tech@aFepower.com