

**advanced FLOW engineering** Cold Air Intake System

**Instruction Manual** P/N: 53-10032D / 53-10032R

Make: Dodge/RAM

Model: 2500/3500

Year: 2003-2007

Engine: L6-5.9L (td) Cummins



- Please read the entire instruction manual before proceeding.
- Ensure all components listed are present.
- If you are missing any of the components, call customer support at 951-493-7134.
- Ensure you have all necessary tools before proceeding.
- Do not attempt to work on your vehicle when the engine is hot.
- Retain factory parts for future use.

Label	Qty.	Description	Part Number
A1	1	Air Filter (Pro 5R)	23-91129
A2	1	Air Filter (Pro DRY S)	21-90098
B	1	Tube	05-5310032B1
C	1	Housing	05-5310032B2
D	2	Screw, Torx: M4 x .7 x 16mm	03-50489
E	1	Clamp, 080 (3-1/2" – 5-1/2")	03-50011
F	1	Clamp, 072 (3" - 5")	03-50010
G	1	Coupling, Silicone Bellow	05-01457
H	1	Coupling, Straight: 4"ID x 2-1/2"L	05-00715
I	2	Clamp, 064 (2-1/2"- 4-1/2 ")	03-50006
J	1	Cap: 1/2", Polyethylene	03-50103
K	1	Grommet, Air Temp Sensor	03-50033
L	1	Ties, Nylon Cable Push Mount: 1/4"OD x 8"L Black	03-50492

**Installation will require the following tools:**

7mm & 8mm nut drivers, T20 Torx driver, 10mm socket & ratchet, Phillips #3

Warranty Information available at <https://afepower.com/contact#warranty>

**Emissions Disclaimer:** This product is not currently CARB exempt and is not available for purchase in California or for use on any vehicle registered with the California Department of Motor Vehicles.

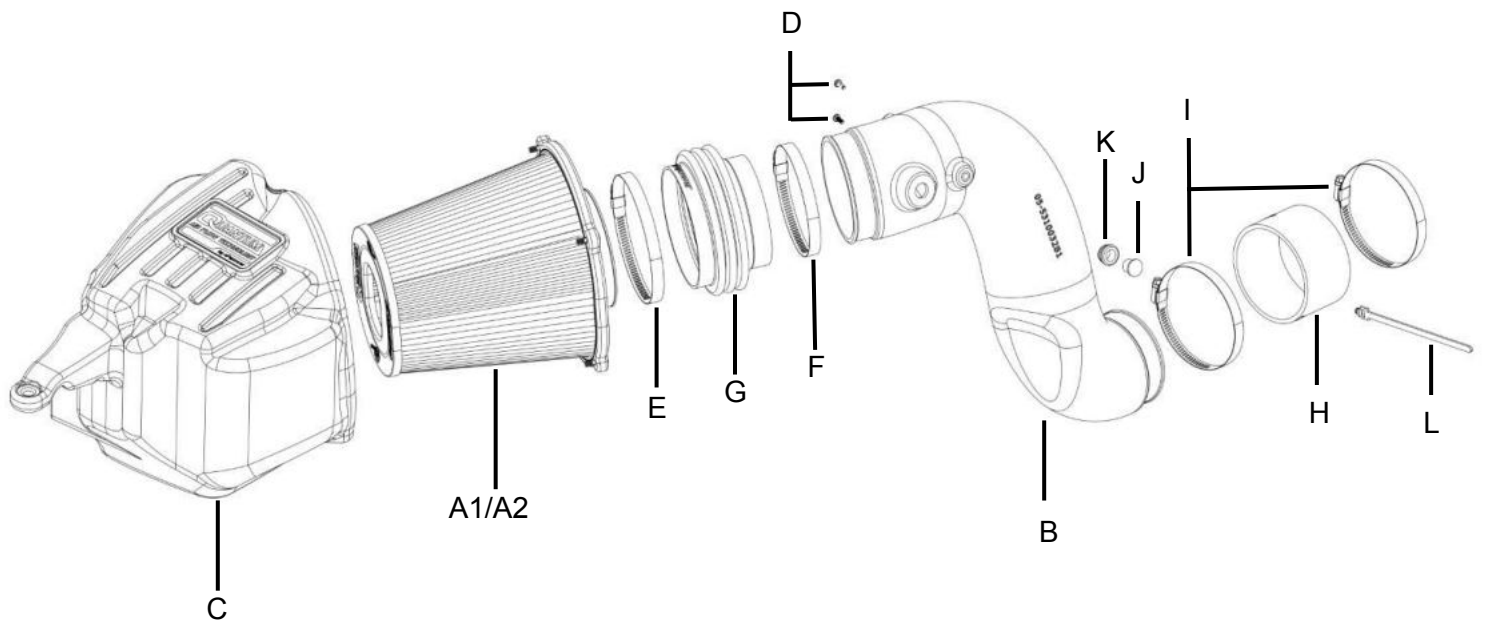




Figure A

**Refer to Figure A for Steps 1-3**

Step 1: Disconnect the wiring harness from the factory rubber intake tube ①.

Step 2: Disconnect the temperature sensor ②.

Step 3: Using a 10mm socket and ratchet, remove the nut ③ holding down the factory filter housing.

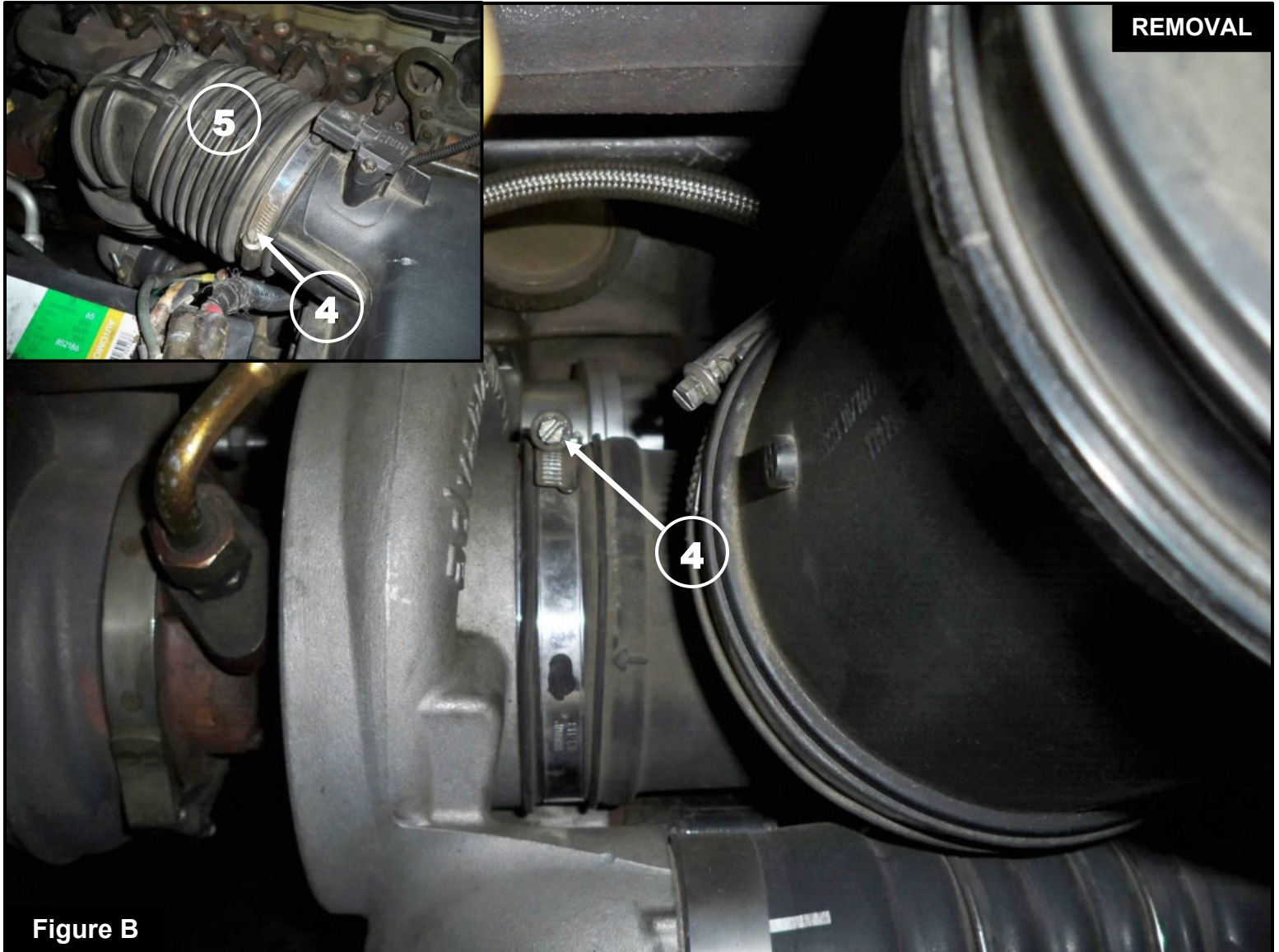


Figure B

**Refer to Figure B for Steps 4-5**

Step 4: Using a 7mm nut driver, loosen the clamps ④ at the turbocharger and at the factory filter housing.

Step 5: Remove the factory rubber intake tube ⑤.



REMOVAL

Figure C

**Refer to Figure C for Step 6**

Step 6: Carefully lift up on the factory filter housing to release the two mounting pins from the mounting grommets and remove from the vehicle.

**Figure D****Refer to Figure D for Steps 7-8**

Step 7: Slide the aFe POWER filter into the aFe POWER housing. Install the aFe POWER filter using a #3 Phillips screwdriver. Tighten all (x4) screws.

Step 8: Install the supplied bellows coupling (6) onto the aFe POWER filter using the supplied #80 clamp (7). Tighten the clamp using an 8mm nut driver.



Figure E

**Refer to Figure E for Steps 9-11**

Step 9: Install the aFe POWER housing assembly into the vehicle. Firmly push the housing assembly into the factory mounting grommets.

Step 10: Reinstall the factory nut (8) removed in Step 2 to secure the aFe POWER housing. Tighten the nut using a 10mm socket and ratchet.

Step 11: Place the supplied #72 clamp (9) on the filter coupling. Do not tighten at this time.



Figure F

**Refer to Figure F for Steps 12-13**

Step 12: Using a 7mm nut driver, remove the temperature sensor (10) from the factory filter housing and transfer to the aFe POWER intake tube. Using a T20 Torx driver, secure the temperature sensor with the supplied M4 screws.

Step 13: Remove the filter minder and grommet (11) from the factory filter housing. Install the grommet into the aFe POWER intake tube and then push in the filter minder. If you choose not to use the filter minder, plug off the hole with the provided grommet and cap.

**Figure G****Refer to Figure G for Steps 14-15**

Step 14: Install the provided straight coupling (12) onto the aFe POWER intake tube. Use a supplied #64 clamp (13) to secure the coupling to the aFe POWER intake tube. Using an 8mm nut driver tighten the clamp.

Step 15: Place the other supplied #64 clamp (14) on the other end of the straight coupling. Do not tighten at this time.

**Figure H****Refer to Figure H for Step 16**

Step 16: Install the aFe POWER intake tube assembly onto the turbo first then slide it into the filter coupling.

Align the intake tube assembly so its not too close to the exhaust, then tighten the clamps (15).

**Figure I****Refer to Figure I for Steps 18-19**

Step 17: Screw on the provided cable tie (16) onto the aFe POWER intake tube.

Step 18: Reconnect the temperature sensor (17) plug. Route the wire harness away from any heat source and secure with the installed cable tie.

Step 19: Check all the components are tight and secure. Your installation is now complete. Thank you for choosing aFe POWER!

**NOTE: Check all screws, clamps, and connectors are secure after 100-200 miles.**



**Page left blank intentionally**



**Page left blank intentionally**



**Page left blank intentionally**



***advanced FLOW engineering, inc.***

252 Granite Street Corona, CA 92879  
TEL: 951.493.7100 • TECH: 951.493.7134  
E-Mail: [Tech@aFepower.com](mailto:Tech@aFepower.com)