

**advanced FLOW engineering**  
**Instruction Manual** P/N: 56-70002D / 56-70002R



Make: **Honda** Model: **Accord** Year: **2018-2020** Engine: **L4-1.5L Turbo**



- Please read the entire instruction manual before proceeding.
- Ensure all components listed are present.
- If you are missing any of the components, call customer support at 951-493-7100.
- Ensure you have all necessary tools before proceeding.
- Do not attempt to work on your vehicle when the engine is hot.
- Disconnect the negative battery terminal before proceeding.
- Retain factory parts for future use.

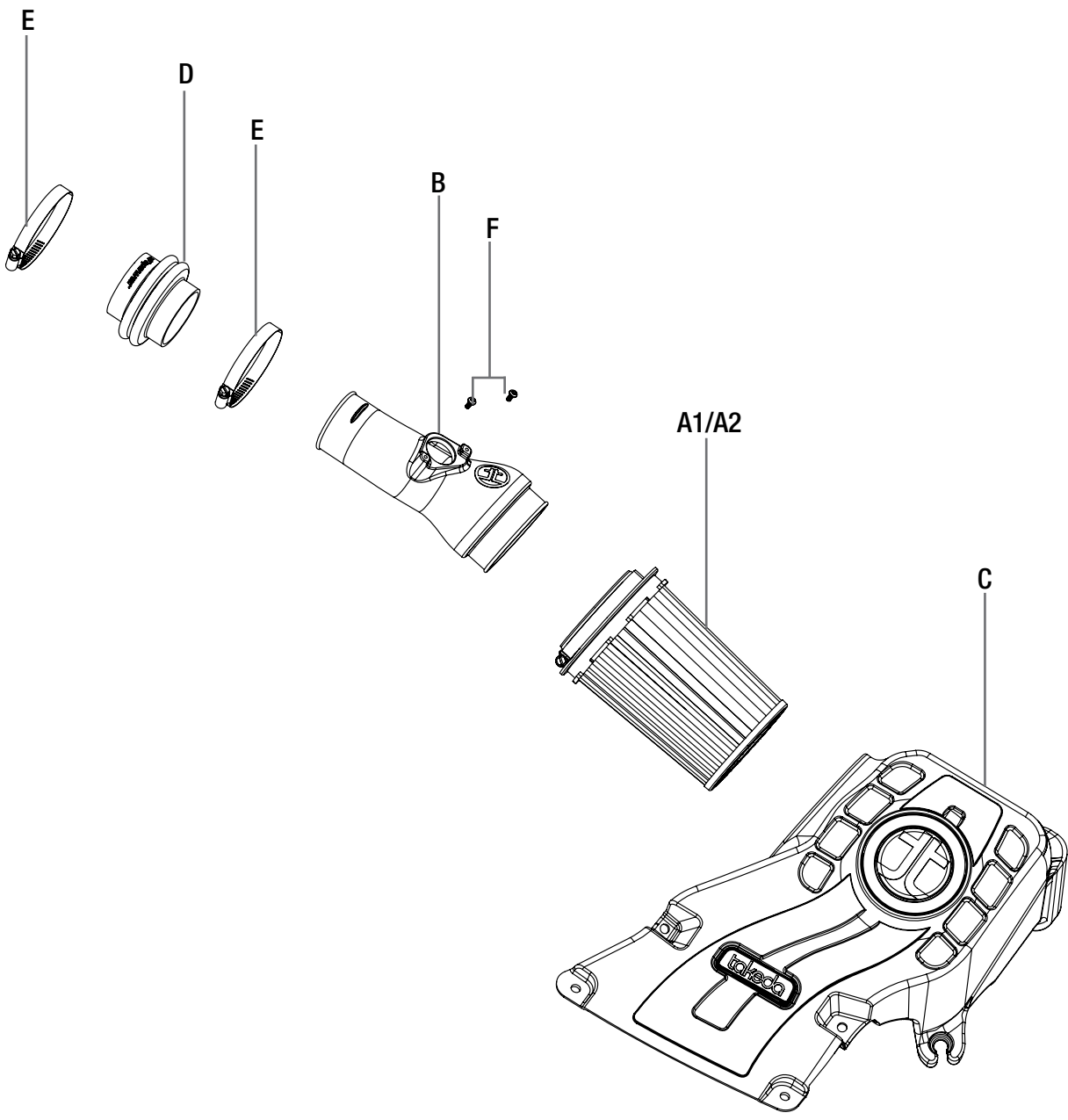
## Retain factory parts for future use.

Label	Qty.	Description	Part Number
A1	1	Air Filter (Pro DRY S)	21-91103 (Grey Media)
A2	1	Air Filter (Pro 5R)	24-91103 (Blue Media)
B	1	Tube	05-T1026B1
C	1	Housing	05-5670002B2
D	1	Coupling, Silicone Reducer	05-01410
E	2	Clamp, #044	03-50019
F	2	Screw, Torx: M4	03-50491

### Installation will require the following tools:

Flat head screw driver, ratchet, 10mm socket, extension, 8mm nut driver

Note: Legal in California for use on race vehicles only. The use of this device on vehicles used on public streets or highways is strictly prohibited in California and others states that have adopted California emission regulations.



**Figure A****Refer to Figure A for Steps 1-4**

- Step 1: Disconnect the Mass Air Flow (MAF) sensor harness. ①
- Step 2: Unclip the MAF harness from the stock intake housing. ②
- Step 3: Remove the stock 4 push clips off the stock intake scoop and remove out of vehicle. ③
- Step 4: Pull intake scoop out of vehicle.



Figure B

**Refer to Figure B for Steps 5-7**

Step 5: Remove the two 10mm bolts from the stock intake housing. (one bold will be reused in a later Step) (4)

Step 6: Loosen the clamp on the stock intake tube connecting to the turbo inlet. (5)

Step 7: Remove Stock intake system out of the vehicle by popping out of the stock grommet and pulling out up and out of the vehicle.



**Refer to Figure C for Steps 8-9**

Step 8: Pre install the air filter into the Takeda housing, assure filter locks in by pushing into the housing firmly.

Step 9: Transfer one of the stock grommet with metal sleeve onto the Takeda air box along with push on grommet at the bottom of the airbox.



Figure D

**Refer to Figure D for Step 10**

Step 10: Install the Takeda housing onto stock mounting locations with the previously removed bolt from Step 5.

**Figure E****Refer to Figure E for Steps 11-12**

Step 11: Transfer the MAF sensor from the stock housing into the Takeda intake tube. Secure it with the provided hardware.

Step 12: Pre-Install the reducer coupling onto the Takeda intake tube with clamps, assure the larger opening on the coupling stops on the retain hump. Only tighten clamp on tube at this time.



Figure F

**Refer to Figure F for Steps 13-16**

Step 13: Slide the coupling into the turbo inlet tube then into the filter. Align tube and tighten clamps on filter and coupling.

Step 14: Reconnect MAF harness to the sensor.

Step 15: Reinstall the factory push clips into the stock scoop mounting location.

Step 16: Make sure all clamps and connections are secured. Your installation is now completed.

**NOTE: Check all bolts, clamps and connectors after 100-200 miles.**



Page left blank intentionally

Page left blank intentionally



Page left blank intentionally

Page left blank intentionally



Pro DRY S Air Filter



P/N: 21-91103

Pro 5R Air Filter



P/N: 24-91103

Pro DRY S Restore Kit



P/N: TP-7015C

Blue Squeeze Restore Kit



P/N: 90-50501

SCORCHER GT Module



P/N: 77-46601

Takeda T-Shirt



P/N: 40-30332 (M)  
40-30333 (L)  
40-30334 (XL)

To purchase any of the items above, view airflow charts, dyno graphs, photos, and video; please go to [aFepower.com](http://aFepower.com).

# Warranty

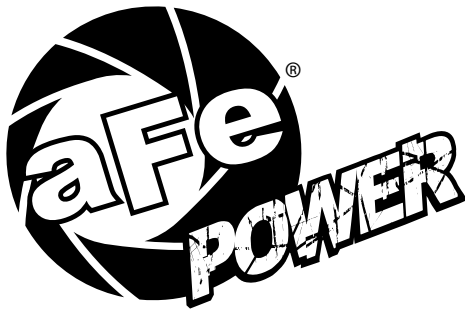
## General Terms:

- aFe warrants their products to be free from manufacturer's defects due to workmanship and material.
- This warranty applies only to the original purchaser of the product and is non-transferrable.
- Proof of purchase of the aFe product is required for all warranty claims.
- Warranty is valid provided aFe instructions for installation and/or cleaning were properly followed.
- Proper maintenance with regular inspections of product is required to insure warranty coverage.
- Damage due to improper installation, abuse, unauthorized repair or alteration is not warranted.
- Incidental or consequential damages or cost, including installation and removal of part, incurred due to failure of aFe product is not covered under this warranty.
- All warranty is limited to the repair and/or replacement of the aFe part. To request Return Goods Authorization ("RGA"), email [RGA@afepower.com](mailto:RGA@afepower.com) or call (951)493-7100. Upon receipt of the RGA, you must return the product to the address provided in the RGA, freight prepaid and accompanied with a dated proof of purchase and the RGA. Upon receipt of the defective product and upon verification of proof of purchase, aFe will either repair or replace the defective product within a reasonable time, not to exceed thirty days.

<b>Product Category</b>	<b>P/N Prefix</b>	<b>Warranty duration</b>
Direct OE Replacement Filters	10, 11, 30, 31, 71, 73	Life of the vehicle
Racing Filters	18	1 year
Universal	21, 24, 72, TF	2 years
Air Intake Systems	50, 51, 54, 55, 75, TR, TA, TL	2 years
Exhaust Systems	49	2 years
Intercoolers & Intercooler Tubes	46-2	2 years
Intake Manifolds	46-1	2 years
Differential Cover	46-7	Life of the vehicle
Exhaust Manifolds	46	2 years
Throttle Body Spacers	46-3	2 years
Turbochargers	46-6	2 years*
Fluid Filters	44	90 days
Pre-Filters	28	2 years
Heavy Duty OE Replacement	70	2 years
PowerSports OE Replacement	81, 87	2 years
PowerSports Intake Systems	85	2 years

No other warranty expressed or implied applies nor is any person or advanced FLOW engineering authorized to assume any other warranty. Some States do not allow the exclusion or limitation of incidental or consequential damages or do not allow limitations on how long an implied warranty lasts, so the above limitations or exclusions may not apply to you. This warranty gives you specific legal rights, and you may also have other rights which vary from State to State.

\*See turbocharger warranty for more info



**advanced FLOW engineering, inc.**  
252 Granite Street Corona, CA 92879  
TEL: 951.493.7100 • TECH: 951.493.7134  
E-Mail: [Tech@aFepower.com](mailto:Tech@aFepower.com)