

advanced FLOW engineering Momentum Cold Air Intake System

Instruction Manual P/N: 56-70016D / 56-70016R

Make: Honda
Make: Acura

Model: Accord
Model: TLX

Year: 2013-2017
Year: 2015-2020

Engine: V6-3.5L
Engine: V6-3.5L



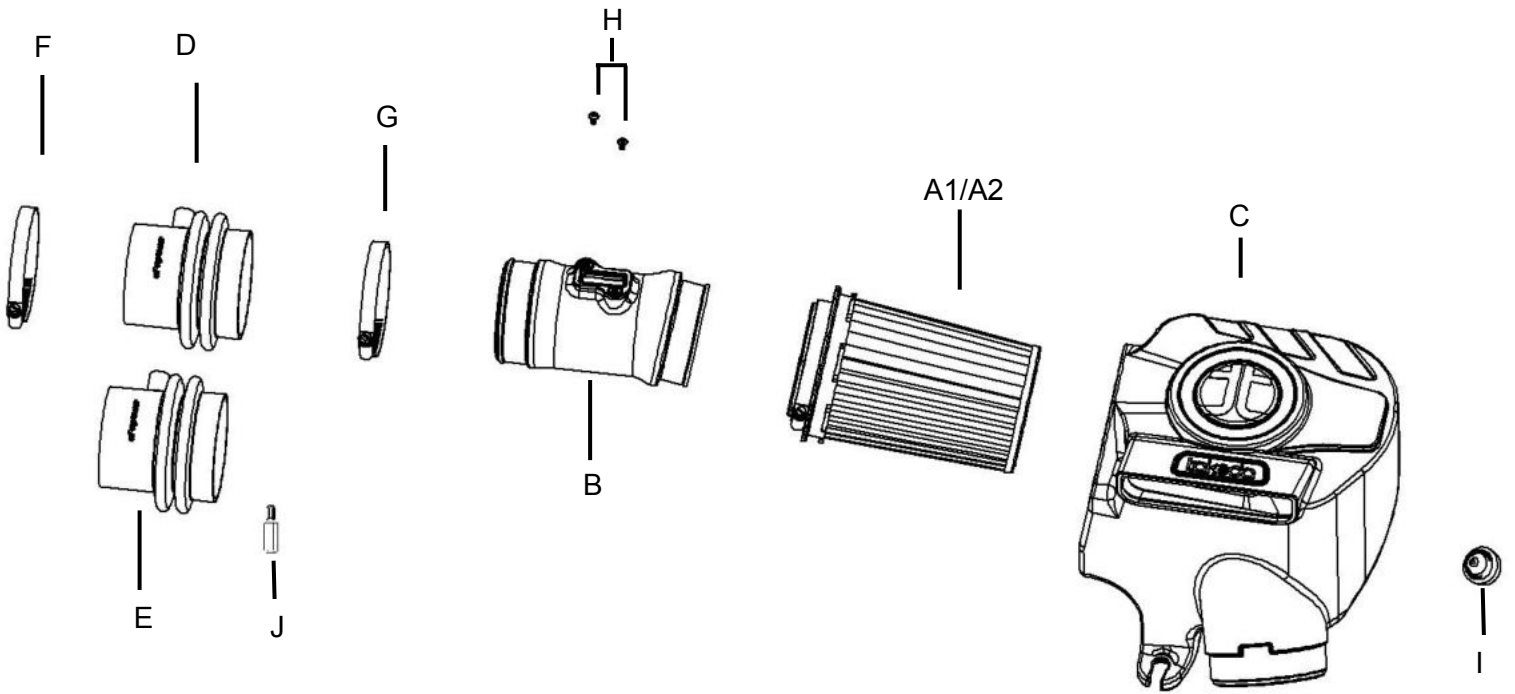
- Please read the entire instruction manual before proceeding.
- Ensure all components listed are present.
- If you are missing any of the components, call customer support at 951-493-7185.
- Ensure you have all necessary tools before proceeding.
- Do not attempt to work on your vehicle when the engine is hot.
- Retain factory parts for future use.

Label	Qty.	Description	Part Number
A1	1	Air Filter (Pro 5R)	24-91103
A2	1	Air Filter (Pro DRY S)	21-91103
B	1	Tube	05-5670016B1
C	1	Housing	05-5670016B2
D	1	Coupling, Silicone Bellow:(3.5"x2.75")ID x 4"L (Accord only)	05-01523
E	1	Coupling, Silicone Bellow:(3.5"x3.25")ID x 4"L (TLX only)	05-01522
F	1	Clamp, 048 (2-9/16"- 3-1/2")	03-50007
G	1	Clamp, 052 (2-13/16" – 3-3/4")	03-50008
H	2	Screw, Torx: M4	05-50491
I	1	Mount, Rubber	05-50534
J	1	Torx Bit: T20	03-50066

Installation will require the following tools:

T-20 Torx driver, 8mm nut driver, small flat-head screwdriver, Philips screwdriver, 10mm deep socket, extension and ratchet.

Emissions Disclaimer: This product is not currently CARB exempt and is not available for purchase in California or for use on any vehicle registered with the California Department of Motor Vehicles



**Figure A****Refer to Figure A for Steps 1 (Acura TLX Showed on Pictures)**

Step 1: Remove the engine cover by popping it off its grommets ①.

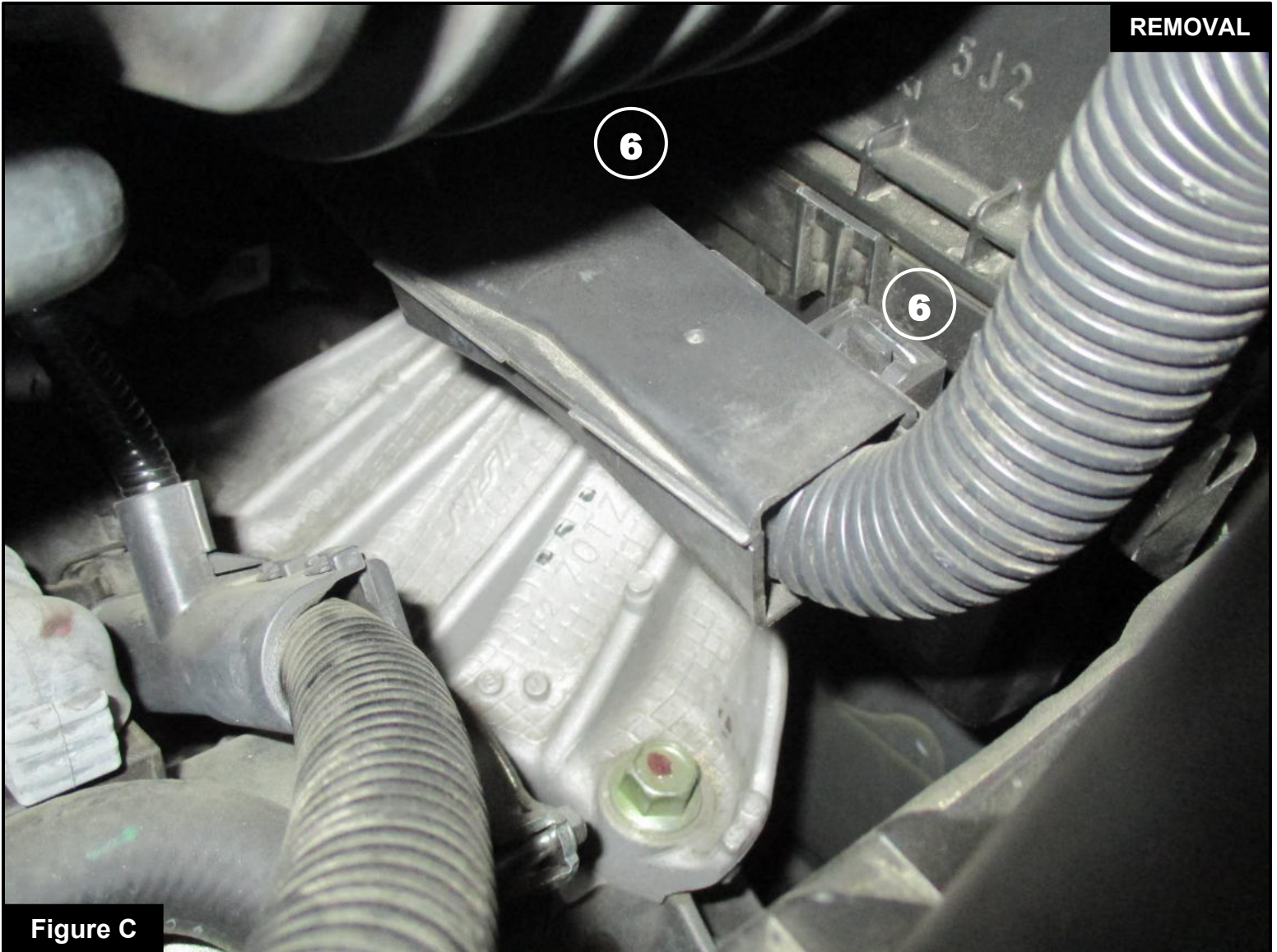

Figure B
Refer to Figure B for Step 2-5

Step 2: Disconnect the Mass Air Flow (MAF) ② harness from the sensor and unclip it from factory air box.

Step 3: Open the pinch clamp to disconnect the crank case fitting from the factory coupling ③.

Step 4: Remove the two 10mm screws securing the factory air box ④.

Step 5: Loosen the clamp on the factory coupling connecting to the throttle body ⑤.

**Figure C****Refer to Figure C for Step 6-7**

Step 6: Disconnect the battery cable holder from the factory airbox by squeezing the release tabs ⑥.

Step 7: Remove factory intake system out of vehicle.

**Figure D****Refer to Figure D for Steps 8-9**

Step 8: Transfer the factory grommets with metal sleeves (7) from the factory air box onto the Takeda airbox.

Step 9: Install the supplied pop grommet (8) into the hole on the housing.

**Figure E****Refer to Figure E for Steps 10-11**

Step 10: Install the Takeda housing into the vehicle. Secure it with the factory screws removed at step 4.

Step 11: Slide the Takeda air filter into the housing, assure the filter tabs are locked on the housing. Place clamps on the filter but do not tighten at this time.

**Figure F****Refer to Figure F for Step 12-14**

Step 12: Slide the coupling onto the throttle body with clamps, make sure smaller side is on throttle body. Do not tighten clamps at this time.

(For Honda Accord use coupling 05-01523, For Acura TLX use coupling 05-01522)

Step 13: Transfer the factory pinch clamp from factory coupling to the Takeda coupling port.

Step 14: Insert the crank case fitting into the Takeda Coupling and secure with factory pinch clamp.

**Figure E****Refer to Figure E for Steps 15**

Step 15: Transfer the MAF sensor from the factory housing to the Takeda intake tube. Secure it with the M4 screws provided.

**Figure F****Refer to Figure F for Step 16-18**

Step 16: Slide the intake tube into the air filter then into the coupling. Align coupling, tube and air filter then tighten all clamps.

Step 17: Re-connect MAF sensor harness.

Step 18: Make sure all clamps and connections are secured.

**Figure F****Refer to Figure F for Step 19**

Step 19: Reinstall the engine cover. Your installation is now completed.

NOTE: Check all bolts, clamps and connectors after 100-200 miles.



PAGE LEFT BLANK INTENTIONALLY



Pro DRY S Air Filter



P/N: 24-91103

Pro 5R Air Filter



P/N: 24-91103

Pre-Filter



P/N: 28-10083

Blue Squeeze Restore Kit



P/N: 90-50501

Pro DRY S Restore Kit



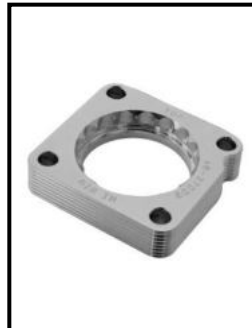
P/N: 90-59999

Takeda Dynamic Air Scoop



P/N: 56-70016S

Honda Accord TBS



P/N: 46-37002

Acura TLX TBS



P/N: 46-37004

To purchase any of the items above, view airflow charts, dyno graphs, photos, and video; please go to aFepower.com.



Warranty

General Terms:

- aFe warrants their products to be free from manufacturer's defects due to workmanship and material.
- This warranty applies only to the original purchaser of the product and is non-transferrable.
- Proof of purchase of the aFe product is required for all warranty claims.
- Warranty is valid provided aFe instructions for installation and/or cleaning were properly followed.
- Proper maintenance with regular inspections of product is required to insure warranty coverage.
- Damage due to improper installation, abuse, unauthorized repair or alteration is not warranted.
- Incidental or consequential damages or cost, including installation and removal of part, incurred due to failure of aFe product is not covered under this warranty.
- All warranty is limited to the repair and/or replacement of the aFe part. To request Return Goods Authorization ("RGA"), email RGA@afepower.com or call (951)493-7100. Upon receipt of the RGA, you must return the product to the address provided in the RGA, freight prepaid and accompanied with a dated proof of purchase and the RGA. Upon receipt of the defective product and upon verification of proof of purchase, aFe will either repair or replace the defective product within a reasonable time, not to exceed thirty days.

Product Category	P/N Prefix	Warranty duration
Direct OE Replacement Filters	10, 11, 30, 31, 71, 73	Life of the vehicle
Racing Filters	18	1 year
Universal	20, 21, 23, 24, 72, TF	2 years
Air Intake Systems	50, 51, 53, 54, 55, 56, 57, 58, 75, TR, TA, TL, TM	2 years
Exhaust Systems	49	2 years
Intercoolers & Intercooler Tubes	46-2	2 years
Intake Manifolds	46-1	2 years
Differential Cover	46-7	Life of the vehicle
Exhaust Manifolds	46	2 years
Throttle Body Spacers	46-3	2 years
Turbochargers	46-6	2 years*
Fluid Filters	44	90 days
Pre-Filters	28	2 years
Heavy Duty OE Replacement	70	2 years
PowerSports OE Replacement	81, 87	2 years
PowerSports Intake Systems	85	2 years

No other warranty expressed or implied applies nor is any person or advanced FLOW engineering authorized to assume any other warranty. Some States do not allow the exclusion or limitation of incidental or consequential damages or do not allow limitations on how long an implied warranty lasts, so the above limitations or exclusions may not apply to you. This warranty gives you specific legal rights, and you may also have other rights which vary from State to State.

*See turbocharger warranty for more info



advanced FLOW engineering, inc.

252 Granite Street Corona, CA 92879
TEL: 951.493.7100 • TECH: 951.493.7185
E-Mail: Tech@aFepower.com

P/N: 06-81353