

advanced FLOW engineering Stage-2 Air Intake

Instruction Manual P/N: 56-70001D / 56-70001R



Make: **Honda** Model: **Fit** Year: **2015-2020** Engine: **L4-1.5L**



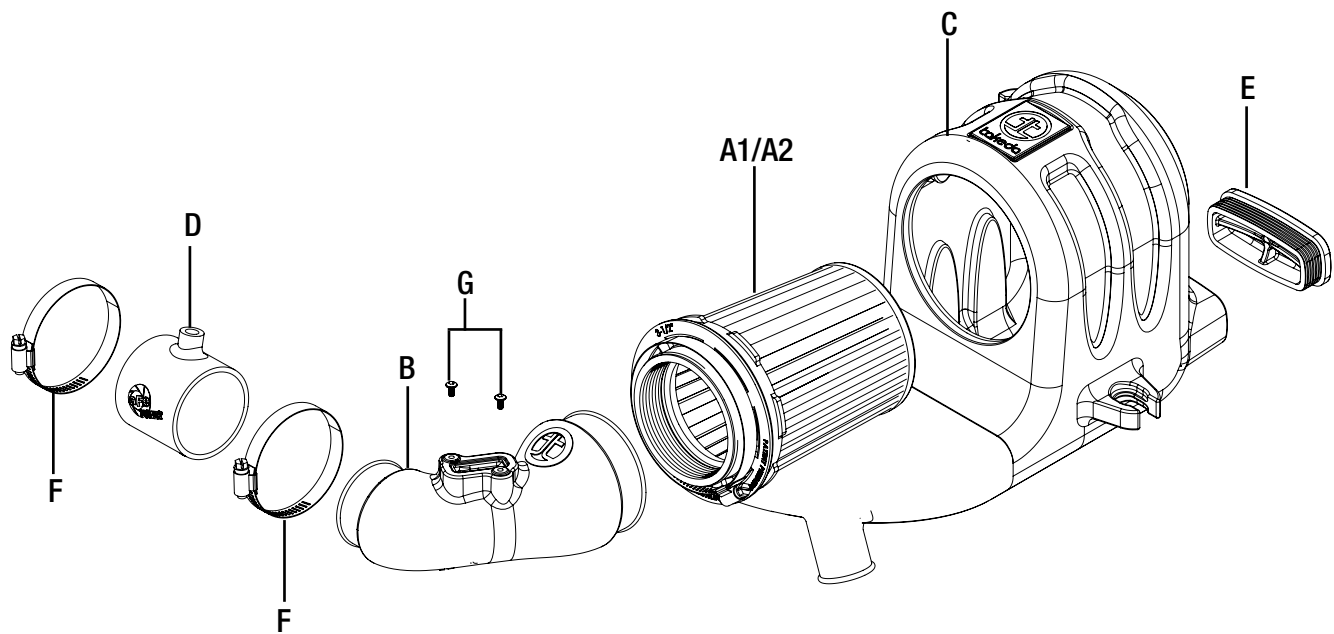
- Please read the entire instruction manual before proceeding.
- Ensure all components listed are present.
- If you are missing any of the components, call customer support at 951-493-7100.
- Ensure you have all necessary tools before proceeding.
- Do not attempt to work on your vehicle when the engine is hot.
- Disconnect the negative battery terminal before proceeding.
- Retain factory parts for future use.

Label	Qty.	Description	Part Number
A1	1	Air Filter (Pro DRY S)	21-91097
A2	1	Air Filter (Pro 5R)	24-91097
B	1	Tube	05-5670001B1
C	1	Housing	05-5670001B2
D	1	Coupling, Silicone	05-01484
E	1	Plug, Urethane	05-01225
F	2	Clamp, #044	03-50019
G	2	Screw, Torx: M4	03-50491

Installation will require the following tools:

Flat head screw driver, phillips head screw driver, 8mm nut driver, 10mm nut driver, socket wrench, T20 torx driver, pliers

Note: Legal in California for use on race vehicles only. The use of this device on vehicles used on public streets or highways is strictly prohibited in California and others states that have adopted California emission regulations.





Refer to Figure A for Steps 1-5.

Step 1: Disconnect the MAF sensor from the factory intake. Detach the two clips on the MAF sensor harness from the factory airbox. ①

Step 2: Loosen the clamp at the intake tube and throttle body. ②

Step 3: Using pliers, remove the clamp at the crankcase line. ③

Step 4: Detach the four clips around the factory airbox. ④

Step 5: Detach the factory air duct and remove the tophalf of the factory airbox from the car. ⑤



Figure B

Refer to Figure B for Steps 6-7.

Step 6: Detach the sound chamber hose at the bottom of the factory airbox. ⑥

Step 7: Remove the bottom half of the factory airbox by removing the two screws with the 10 mm socket and wrench. ⑦



Figure C

Refer to Figure C for Step 8.

Step 8: Transfer the MAF sensor from the factory intake airbox to the Takeda intake tube, using the supplied M4 screws.



Figure D

Refer to Figure D for Steps 9-10.

Step 9: Insert the Takeda filter into the Takeda airbox.

Step 10: Transfer the two factory grommets from the factory airbox to the Takeda airbox. ⑧



Figure E

Refer to Figure E for Steps 11-12.

Step 11: Slip the Takeda coupler over the throttle body and slip the crankcase line into the coupler. ⑨

Step 12: Tighten the clamp at the throttle body. Do not tighten the clamp at the open end. ⑩



Figure 1



Figure F

Refer to Figure F for Step 13-16.

Step 13: Carefully guide the Takeda airbox assembly into the engine bay.

Step 14: Re-attach the sound chamber hose to the bottom of the Takeda airbox. (11)

Step 15: Re-attach the factory air duct. (12)

Step 16: Adjust the Takeda airbox in the engine bay by using the two factory 10 mm screws. It may help to disconnect the cable in Figure 1. Do NOT tighten factory screws at this point.

**Figure G****Refer to Figure G for Steps 17-19.**

Step 17: Install the Takeda tube. Tighten the clamps at the air filter and coupler. Tighten the two factory screws re-installed in Step 16.

Step 18: Re-connect the MAF harness to the sensor.

Step 19: Make sure all hardware is tight. Your installation is now complete. Thank you for choosing Takeda USA!

NOTE: Retighten all connections after 100-200 miles.

Page left blank intentionally



Page left blank intentionally

Page left blank intentionally



Pro DRY S Air Filter



P/N: 21-91097

Pro 5R Air Filter



P/N: 24-91097

Takeda Restore Kit



P/N: TP-7015C

Blue Squeeze Restore Kit



P/N: 90-50501

Takeda Mens T-Shirt



P/N: 40-30332 (M)
40-30333 (L)
40-30334 (XL)

Takeda Mascot Decal



P/N: TP-7003D

To purchase any of the items above, view airflow charts, dyno graphs, photos, and video; please go to aFepower.com.

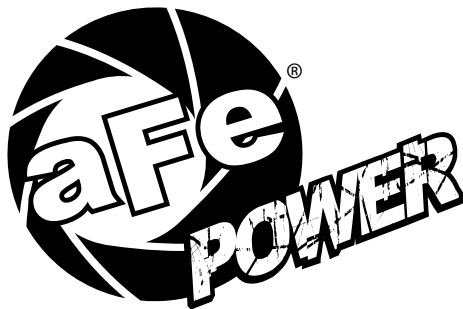
Warranty

General Terms:

- aFe warrants their products to be free from manufacturer's defects due to workmanship and material.
- This warranty applies only to the original purchaser of the product and is nontransferable.
- Proof of purchase of the aFe product is required for all warranty claims.
- Warranty is valid provided aFe instructions for installation and/or cleaning were properly followed.
- Proper maintenance with regular inspections of product is required to insure warranty coverage.
- Damage due to improper installation, abuse, unauthorized repair or alteration is not warranted.
- Incidental or consequential damages or cost, including installation and removal of part, incurred due to failure of aFe product is not covered under this warranty.
- All warranty is limited to the repair and/or replacement of the aFe part. To request Return Goods Authorization ("RGA"), email RGA@afepower.com or call (951)493-7100. Upon receipt of the RGA, you must return the product to the address provided in the RGA, freight prepaid and accompanied with a dated proof of purchase and the RGA. Upon receipt of the defective product and upon verification of proof of purchase, aFe will either repair or replace the defective product within a reasonable time, not to exceed thirty days.

Product Category	P/N Prefix	Warranty duration
Direct OE Replacement Filters	10, 11, 30, 31, 71, 73	Life of the vehicle
Racing Filters	18	1 year
Universal	21, 23, 24, 72	2 years
Air Intake Systems	50, 51, 53, 54, 55, 75	2 years
Exhaust Systems	49	2 years
Intercoolers & Intercooler Tubes	46-2	2 years
Intake Manifolds	46-1	2 years
Differential Cover	46-7	Life of the vehicle
Exhaust Manifolds	46	2 years
Throttle Body Spacers	46-3	2 years
Fluid Filters	44	90 days
Pre-Filters	28	2 years
Heavy Duty OE Replacement	70	2 years
PowerSports OE Replacement	81, 87	2 years
PowerSports Intake Systems	85	2 years

No other warranty expressed or implied applies nor is any person or advanced FLOW engineering authorized to assume any other warranty. Some States do not allow the exclusion or limitation of incidental or consequential damages or do not allow limitations on how long an implied warranty lasts, so the above limitations or exclusions may not apply to you. This warranty gives you specific legal rights, and you may also have other rights which vary from State to State.



advanced FLOW engineering, inc.
252 Granite Street Corona, CA 92879
TEL: 951.493.7100 • TECH: 951.493.7134
E-Mail: Tech@aFepower.com