

## advanced FLOW engineering

**Instruction Manual** P/N: TM-2019B-R / TM-2019B-D



Make: **Lexus** Model: **IS 200t** Year: **2016-2017** Engine: **L4-2.0L Turbo**

Make: **Lexus** Model: **IS 300** Year: **2018-2020** Engine: **L4-2.0L Turbo**

Note: **Includes F Sport.**



- Please read the entire instruction manual before proceeding.
- Ensure all components listed are present.
- If you are missing any of the components, call customer support at 951-493-7100.
- Ensure you have all necessary tools before proceeding.
- Do not attempt to work on your vehicle when the engine is hot.
- Retain factory parts for future use.

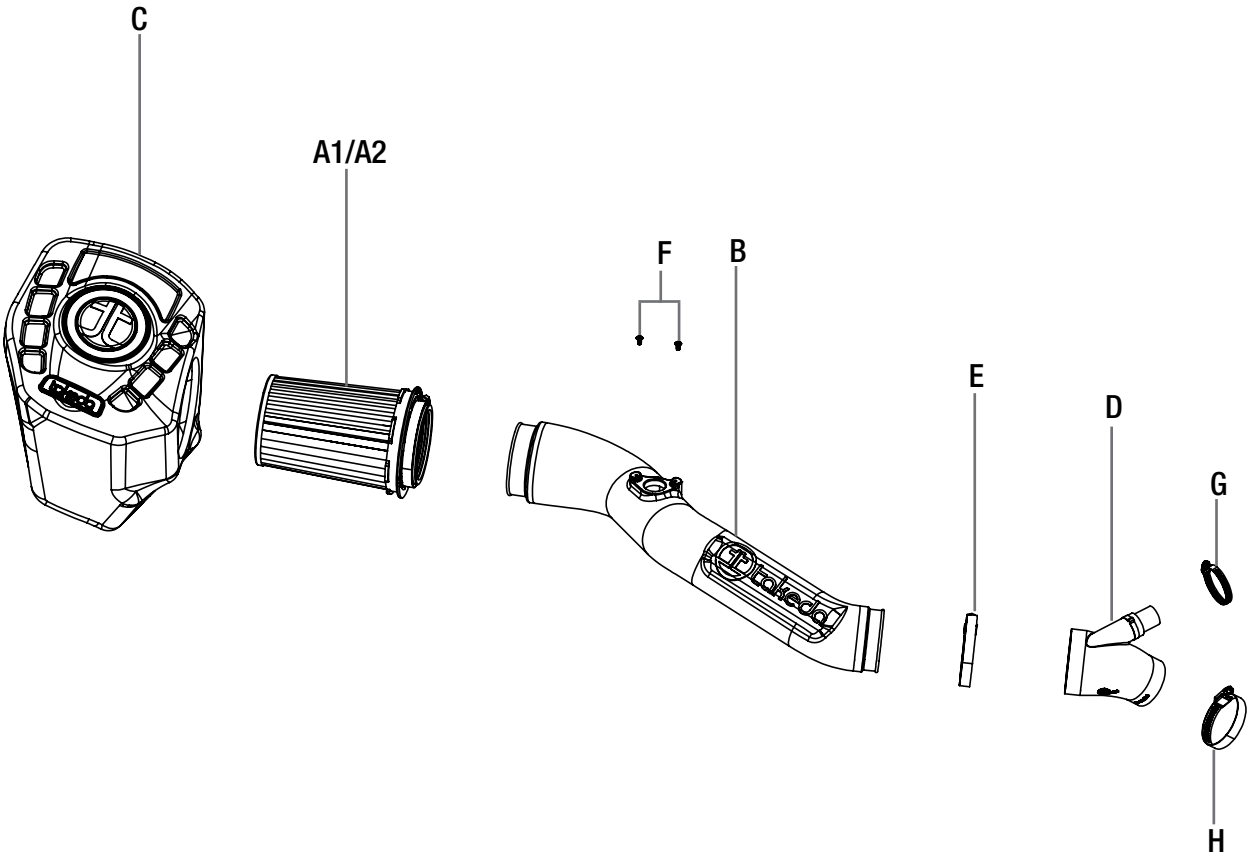
## Retain factory parts for future use.

| Label | Qty. | Description              | Part Number           |
|-------|------|--------------------------|-----------------------|
| A1    | 1    | Air Filter (Pro DRY S)   | 21-91103 (Grey Media) |
| A2    | 1    | Air Filter (Pro 5R)      | 24-91103 (Blue Media) |
| B     | 1    | Tube                     | 05-T2019B1            |
| C     | 1    | Housing                  | 05-T2019B2            |
| D     | 1    | Coupling, Silicone Elbow | 05-01466              |
| E     | 1    | Clamp, #048              | 03-50007              |
| F     | 2    | Screw, Torx: M4          | 03-50491              |
| G     | 1    | Clamp Mini, #016         | 03-50091              |
| H     | 1    | Clamp, #032              | 03-50016              |

### Installation will require the following tools:

Flat head screw driver, ratchet, 10mm socket, and 8mm nut driver.

Note: Legal in California for use on race vehicles only. The use of this device on vehicles used on public streets or highways is strictly prohibited in California and others states that have adopted California emission regulations.



**Figure A****Refer to Figure A for Steps 1-5**

Step 1: Disconnect the MAF sensor harness.

Step 2: Disconnect the crank case hose off the OE intake tube.

Step 3: Remove the two 10mm bolts on the OE housing and 10mm bolt on the OE intake tube.

Step 4: Loosen the OE clamp on the turbo inlet tube.

Step 5: Remove the OE airbox and intake tube as one piece, out of vehicle



Figure B

**Refer to Figure B for Step 6**

Step 6: Transfer the OE grommet from the OE air box into the Takeda airbox.

**Figure C****Refer to Figure C for Steps 7-9**

- Step 7: Install the Takeda housing in the vehicle by sliding the OE scoop into the housing and aligning the peg into the OE grommet on the vehicle.
- Step 8: Secure the housing to the vehicle by installing one of the 10mm bolt removed at Step 4 into the grommet inside the housing.
- Step 9: Slide the Takeda air filter into the Takeda housing, make sure the retain tabs on the filter lock it into place.



Figure D

**Refer to Figure D for Step 10**

Step 10: Install coupling onto turbo inlet tube with clamps and slide the crank case hose onto the aluminum fitting, do not tighten clamps at this time.



Figure E

**Refer to Figure E for Steps 11-12**

Step 11: Remove MAF sensor from OE airbox housing.

Step 12: Transfer MAF sensor into Takeda intake tube using the provided screws.



Figure F

**Refer to Figure F for Steps 13-17**

Step 13: Install the Takeda tube into the vehicle. Slide the tube first into the filter then into the coupling on the turbo inlet.

Step 14: Align the tube correctly then tighten all clamps.

Step 15: Re-connect MAF harness to sensor.

Step 16: Make sure all clamps and connections are secured. Your installation is now completed

**NOTE: Check all bolts, clamps and connectors after 100-200 miles.**



Pro DRY S Air Filter



P/N: 21-91103

Pro 5R Air Filter



P/N: 24-91103

Pro DRY S Restore Kit



P/N: TP-7015C

Blue Squeeze Restore Kit



P/N: 90-50501

SCORCHER GT Module



P/N: 77-46001

Sprint Booster V3



P/N: 77-16508

Oil Filter



P/N: 44-LF0036

Takeda Mascot Decal



P/N: TP-7003D

Takeda T-Shirt



P/N: 40-30332 (M)

40-30333 (L)

40-30334 (XL)

To purchase any of the items above, view airflow charts, dyno graphs, photos, and video; please go to [aFepower.com](http://aFepower.com).

# Warranty

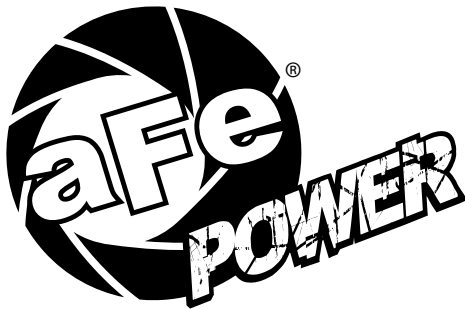
## General Terms:

- aFe warrants their products to be free from manufacturer's defects due to workmanship and material.
- This warranty applies only to the original purchaser of the product and is non-transferrable.
- Proof of purchase of the aFe product is required for all warranty claims.
- Warranty is valid provided aFe instructions for installation and/or cleaning were properly followed.
- Proper maintenance with regular inspections of product is required to insure warranty coverage.
- Damage due to improper installation, abuse, unauthorized repair or alteration is not warranted.
- Incidental or consequential damages or cost, including installation and removal of part, incurred due to failure of aFe product is not covered under this warranty.
- All warranty is limited to the repair and/or replacement of the aFe part. To request Return Goods Authorization ("RGA"), email [RGA@afepower.com](mailto:RGA@afepower.com) or call (951)493-7100. Upon receipt of the RGA, you must return the product to the address provided in the RGA, freight prepaid and accompanied with a dated proof of purchase and the RGA. Upon receipt of the defective product and upon verification of proof of purchase, aFe will either repair or replace the defective product within a reasonable time, not to exceed thirty days.

| <b>Product Category</b>          | <b>P/N Prefix</b>                  | <b>Warranty duration</b> |
|----------------------------------|------------------------------------|--------------------------|
| Direct OE Replacement Filters    | 10, 11, 30, 31, 71, 73             | Life of the vehicle      |
| Racing Filters                   | 18                                 | 1 year                   |
| Universal                        | 21, 24, 72, TF                     | 2 years                  |
| Air Intake Systems               | 50, 51, 54, 55, 75, TR, TA, TL, TM | 2 years                  |
| Exhaust Systems                  | 49                                 | 2 years                  |
| Intercoolers & Intercooler Tubes | 46-2                               | 2 years                  |
| Intake Manifolds                 | 46-1                               | 2 years                  |
| Differential Cover               | 46-7                               | Life of the vehicle      |
| Exhaust Manifolds                | 46                                 | 2 years                  |
| Throttle Body Spacers            | 46-3                               | 2 years                  |
| Turbochargers                    | 46-6                               | 2 years*                 |
| Fluid Filters                    | 44                                 | 90 days                  |
| Pre-Filters                      | 28                                 | 2 years                  |
| Heavy Duty OE Replacement        | 70                                 | 2 years                  |
| PowerSports OE Replacement       | 81, 87                             | 2 years                  |
| PowerSports Intake Systems       | 85                                 | 2 years                  |

No other warranty expressed or implied applies nor is any person or advanced FLOW engineering authorized to assume any other warranty. Some States do not allow the exclusion or limitation of incidental or consequential damages or do not allow limitations on how long an implied warranty lasts, so the above limitations or exclusions may not apply to you. This warranty gives you specific legal rights, and you may also have other rights which vary from State to State.

\*See turbocharger warranty for more info



**advanced FLOW engineering, inc.**  
252 Granite Street Corona, CA 92879  
TEL: 951.493.7100 • TECH: 951.493.7185  
E-Mail: [Tech@aFepower.com](mailto:Tech@aFepower.com)