

advanced FLOW engineering

Takeda Torque Booster Tube

Instruction Manual P/N: TT-2016B / TT-2016L / TT-2016R



Make: **Scion** Model: **FR-S**

Make: **Subaru** Model: **BRZ**

Make: **Toyota** Model: **GT86/FT86**

Make: **Toyota** Model: **86**

Year: **2013-2016** Engine: **H4-2.0L**

Year: **2013-2020** Engine: **H4-2.0L (Includes tS)**

Year: **2012-2020** Engine: **H4-2.0L**

Year: **2017-2020** Engine: **H4-2.0L**



- Please read the entire instruction manual before proceeding.
- Ensure all components listed are present.
- If you are missing any of the components, call customer support at 951-493-7100.
- Ensure you have all necessary tools before proceeding.
- Do not attempt to work on your vehicle when the engine is hot.
- Disconnect the negative battery terminal before proceeding.
- Retain factory parts for future use.

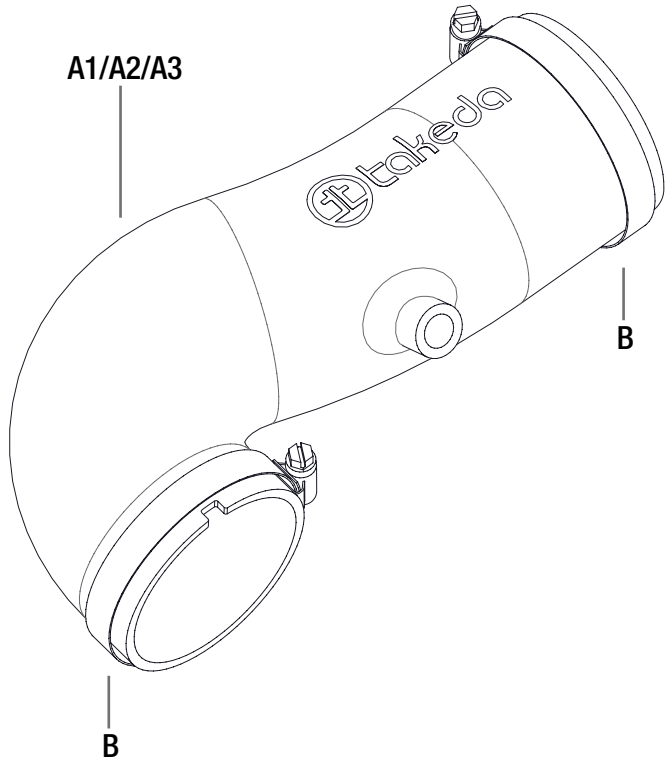
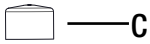
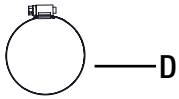
Label	Qty.	Description	Part Number
A1	1	Tube	05-T2016B1 (Black)
A2	1	Tube	05-T2016L1 (Blue)
A3	1	Tube	05-T2016R1 (Red)
B	2	Clamp, #048	03-50007
C	1	Cap, Vinyl	03-50408
D	1	Clamp Mini, #024	03-50093

Installation will require the following tools:

Phillips screw driver, 8mm nut driver, ratchet, extension, 10mm/12mm socket & pliers

Warranty Information available at: <https://afepower.com/contact#warranty>

Note: Legal in California for use on race vehicles only. The use of this device on vehicles used on public streets or highways is strictly prohibited in California and others states that have adopted California emission regulations.





Refer to Figure A for step 1

Step 1: Loosen clamps ① off throttle body and cabin noise chamber, disconnect crank case vent hose ②, then remove OE tube out of the vehicle. Do not throw away OE crank case hose clamp.



Figure B

Refer to Figure B for steps 2-5

Step 2: Install Takeda tube in to vehicle using the bigger supplied clamps, and re-connect factory crank case vent line using the factory clamp.

Step3: Cap off the the cabin chamber with the supplied cap and clamp.

Step 4: Tighten all clamps down.

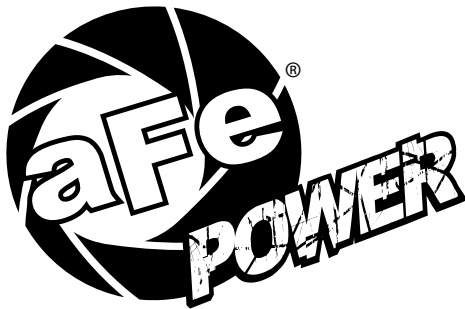
Step 5: Your installation is now complete. Thank you for choosing Takeda!

NOTE: Retighten all connections after approximately 100-200 miles.



PAGE LEFT BLANK INTENTIONALLY

PAGE LEFT BLANK INTENTIONALLY



advanced FLOW engineering, inc.
252 Granite Street Corona, CA 92879
TEL: 951.493.7100 • TECH: 951.493.7100 x23
E-Mail: Tech@aFepower.com