

advanced FLOW engineering

Track Series Carbon Fiber Cold Air Intake System

Instruction Manual P/N: 51-12172-C / 54-12172-C

Make: **Dodge** Model: **Challenger SRT-8/Charger SRT-8** Year: **2011-2020** Engine: **V8-6.4L HEMI**

Make: **Chrysler** Model: **300 SRT-8** Year: **2012-2014** Engine: **V8-6.4L HEMI**



- Please read the entire instruction manual before proceeding.
- Ensure all components listed are present.
- If you are missing any of the components, call customer support at 951-493-7185.
- Ensure you have all necessary tools before proceeding.
- Do not attempt to work on your vehicle when the engine is hot.
- Disconnect the negative battery terminal before proceeding.
- Retain factory parts for future use.

Label	Qty.	Description	Part Number
A1	1	Pro DRY S Air Filter	21-91035 (Gray Media)
A2	1	Pro 5R Air Filter	24-91035 (Blue Media)
B	1	Housing	05-12172B3
C	1	Tube	05-12172C1
D	1	Male/Female Isolation Mount	03-50206
E	3	Washer, Lock	03-50071
F	3	Screw, Hex Hd: M6x1x12	03-50032
G	3	Washer, Flat	03-50070
H	1	Clamp, T-Bolt (4-1/8" - 4-1/2")	03-50262
I	1	Clamp, T-bolt (3-9/16"-3-7/8")	03-50498
J	1	Isolation Pad	03-50196
K	1	Coupling, Silicone Reducer	05-01555
L	1	Trim, Rubber Edge (13")	05-00149
M	1	Seal, Trim (25")	05-00072
N	1	Seal, Trim (17")	05-00072
O	1	Hose, Fuel: 3/4"	05-00070

Warranty Information available at <https://afepower.com/contact#warranty>

Emissions Disclaimer: *This product is not currently CARB exempt and is not available for purchase in California or for use on any vehicle registered with the California Department of Motor Vehicles.*

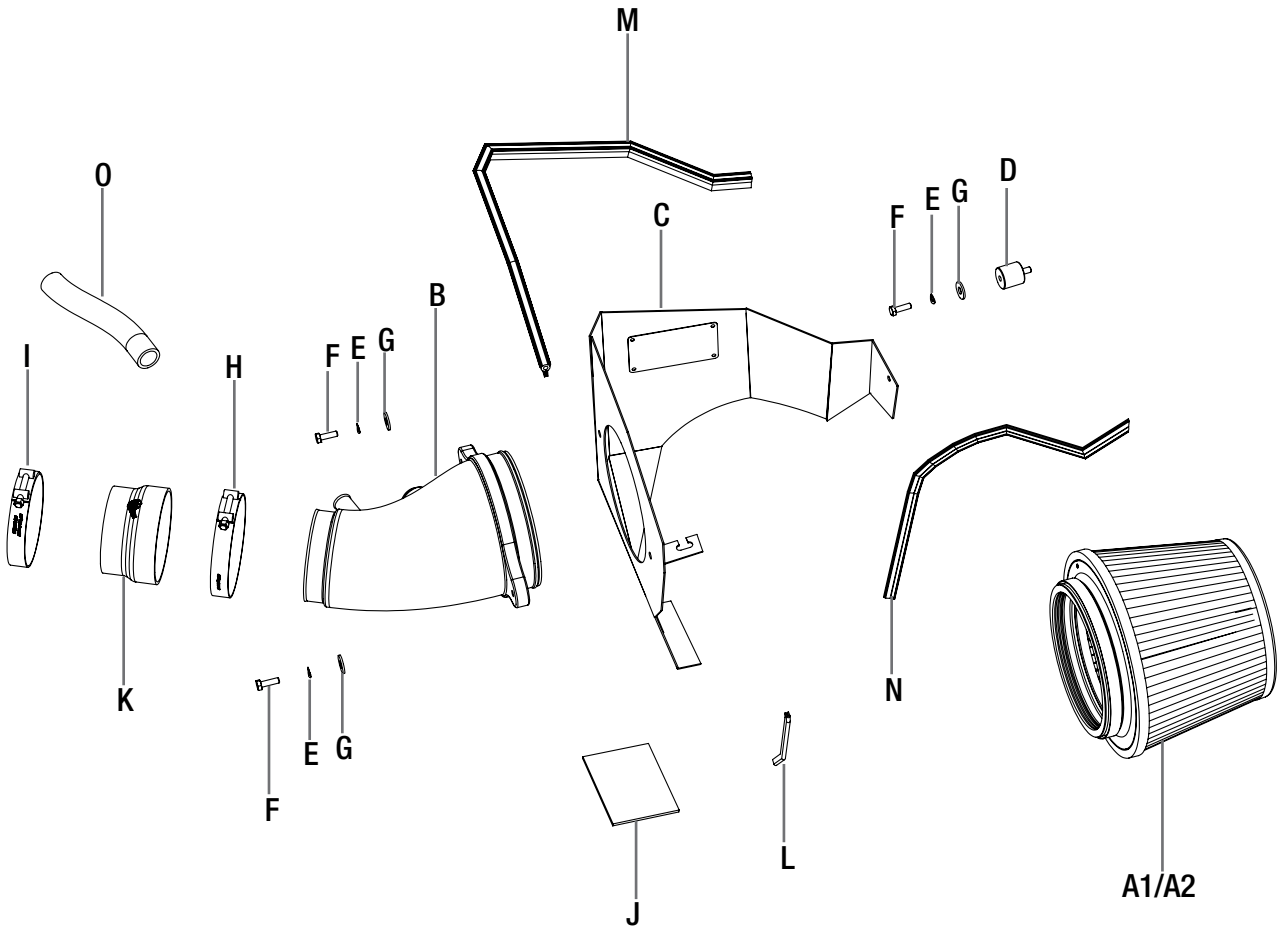




Figure A

Refer to Figure A for Steps 1-5

Step 1: Remove 8mm bolt securing the factory air box, this bolt will be reused to secure the aFe housing.

Step 2: Loosen clamp securing the factory intake tube to throttle body.

Step 3: Unplug Temp sensor connector and leave the sensor in the factory tube for now.

Step 4: Remove driver side engine valve cover, and remove crank case hose. The hose will be replaced with a new one.

Step 5: Remove factory air intake system from engine bay.

REMOVAL



Figure B

Refer to Figure B for Steps 6-7

Step 6: Remove 10mm bolt from fender side, it will not be reused.

Step 7: Install isolation mount onto fender well

**Figure C****Refer to Figure C for Steps 8-10**

Step 8: Remove grommet and metal sleeve from factory housing and install on aFe housing.

Step 9: Install the provided seal trim onto the outer edges of the aFe housing and install foam pad where housing rests.

Step 10: Install housing onto vehicle. Using one provided 10mm bolt, lock washer, and flat washer secure the housing to the isolation mount installed in Step 7. Put the factory 8mm bolt removed in Step 1 back in its original location.



Figure D

Refer to Figure D for Step 11

Step 11: Install silicone coupling and clamps onto aFe tube, tighten the clamp onto the tube only, leave the throttle body clamp loose.



Refer to Figure E for Steps 12-14

- Step 12: Install tube onto vehicle by passing it through the opening in the housing, and sliding the coupling over the throttle body.
- Step 13: Use the remaining two 10mm bolts, lock washers, and flat washers to secure the tube to the housing.
- Step 14: Tighten clamp at the throttle body.

**Figure F****Refer to Figure F for Steps 15-18**

Step 15: Remove the Temperature sensor from factory tube and install onto in aluminum fitting into the aFe Power tube. Reconnect the harness to the Temperature sensor.

Step 16: Install supplied crank case hose between the aFe Power tube and the valve cover

Step 17: Install filter onto intake tube and tighten the filter clamp.

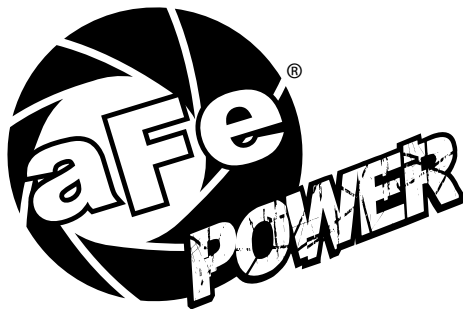
Step 18: Reinstall the valve cover and your install is complete.

NOTE: Check all bolts, clamps, and connectors after 100-200 miles.



PAGE LEFT BLANK INTENTIONALLY

PAGE LEFT BLANK INTENTIONALLY



advanced FLOW engineering, inc.
252 Granite Street Corona, CA 92879
<https://afepower.com/contact>