

advanced FLOW engineering

Cold Air Intake System

Instruction Manual P/N: 57-10028D / 57-10028K

Make: Dodge	Model: Durango SRT Hellcat	Year: 2021	Engine: V8-6.2L (sc)
Make: Dodge	Model: Durango SRT Hellcat	Year: 2023	Engine: V8-6.2L (sc)
Make: Jeep	Model: Grand Cherokee Trackhawk	Year: 2018-2021	Engine: V8-6.2L (sc)



- Please read the entire instruction manual before proceeding.
- Ensure all components listed are present.
- If you are missing any of the components, call customer support at 951-493-7185.
- Ensure you have all necessary tools before proceeding.
- Do not attempt to work on your vehicle when the engine is hot.
- Disconnect the negative battery terminal before proceeding.
- Retain factory parts for future use.

Label	Qty.	Description	Part Number
A	1	Air Filter (Pro DRY S) for 57-10028D	21-90112
A	1	Air Filter (Pro 5R) for 57-10028K	24-90112K
B	1	Tube, Carbon Fiber	05-5710028C1
C	1	Housing	05-5710009B2
D	1	Coupling, Silicone Bellow: (3.9"x4.35")ID x 30Deg	05-01495
E	1	Clamp, T-bolt (4-9/16" - 4-7/8") (SS)	03-50319
F	1	Clamp, T-bolt (4-1/16" - 4-3/8") (SS)	03-50262
G	1	Seal, Trim: 3/4" Bulb, 32"Length	05-01507
H	3	Screw, M4	03-50490
J	1	Fitting, Elbow	03-50165
K	1	Hose, 23" Length	05-01502
M	1	Clamp, Easy-Install Snap-Grip	03-50648

Installation will require the following tools:

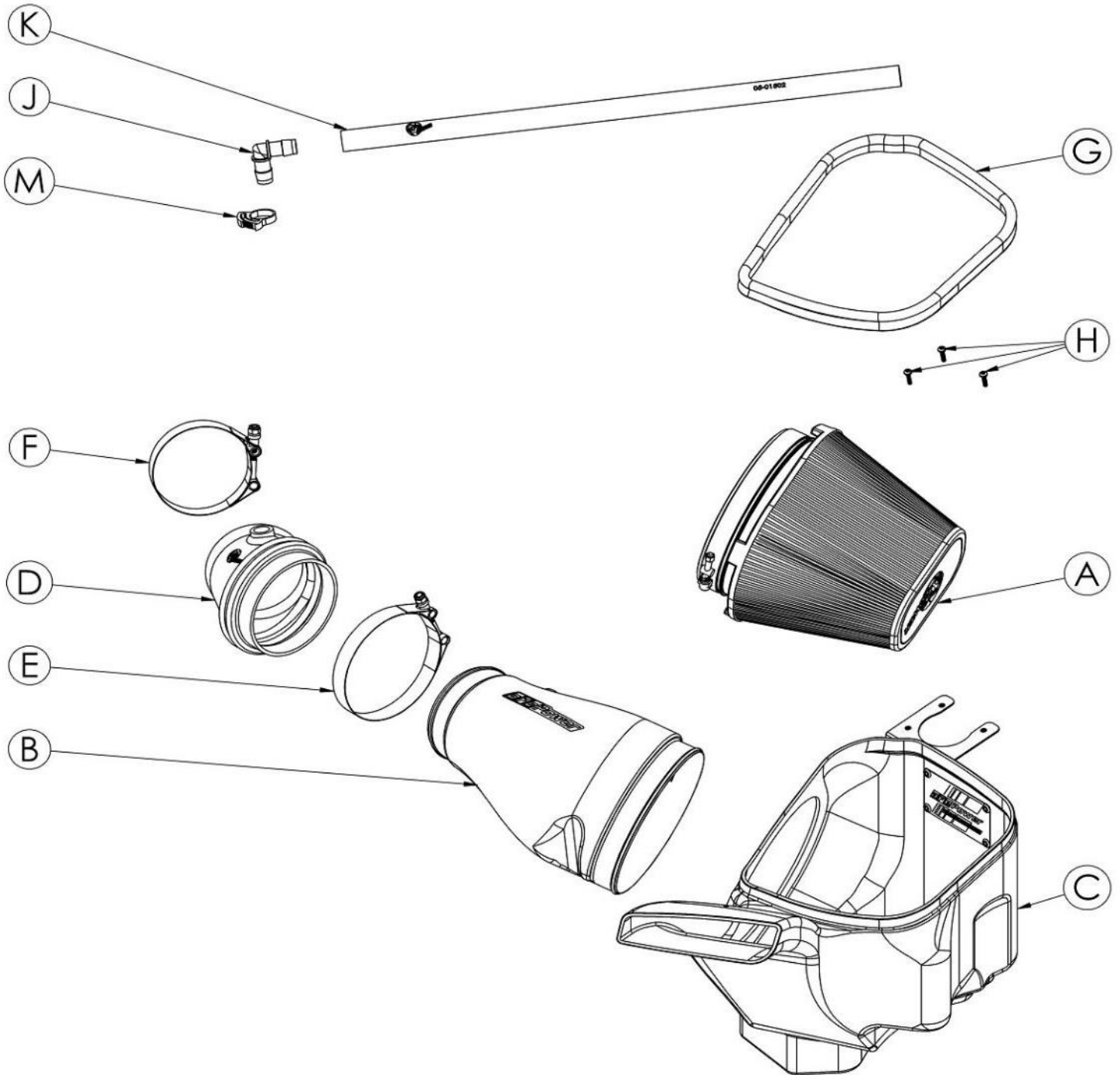
Socket set, socket wrench, flat-head screwdriver, T20 torx bit, box cutter or knife, pliers, and panel popper.

Installation Disclaimer:

This intake fits 2018-2021 Jeep Trackhawk and 2021 and 2023 Dodge Durango Hellcat vehicles. The 2018 Jeep Trackhawk does not have a Multi-Air Unit Actuator (MUA), like the 2019-2021 Jeep Trackhawk and Dodge Durango Hellcat. Special installation notes will be noted in **bold text** throughout the installation steps, noting the difference between the 2018 Jeep Trackhawk versus the 2019-2021 Jeep Trackhawk and Dodge Durango Hellcat.

Warranty information available at <https://afepower.com/contact#warranty>.

Emissions Disclaimer: This product is not currently CARB exempt and is not available for purchase in California or for use on any vehicle registered with the California Department of Motor Vehicles.



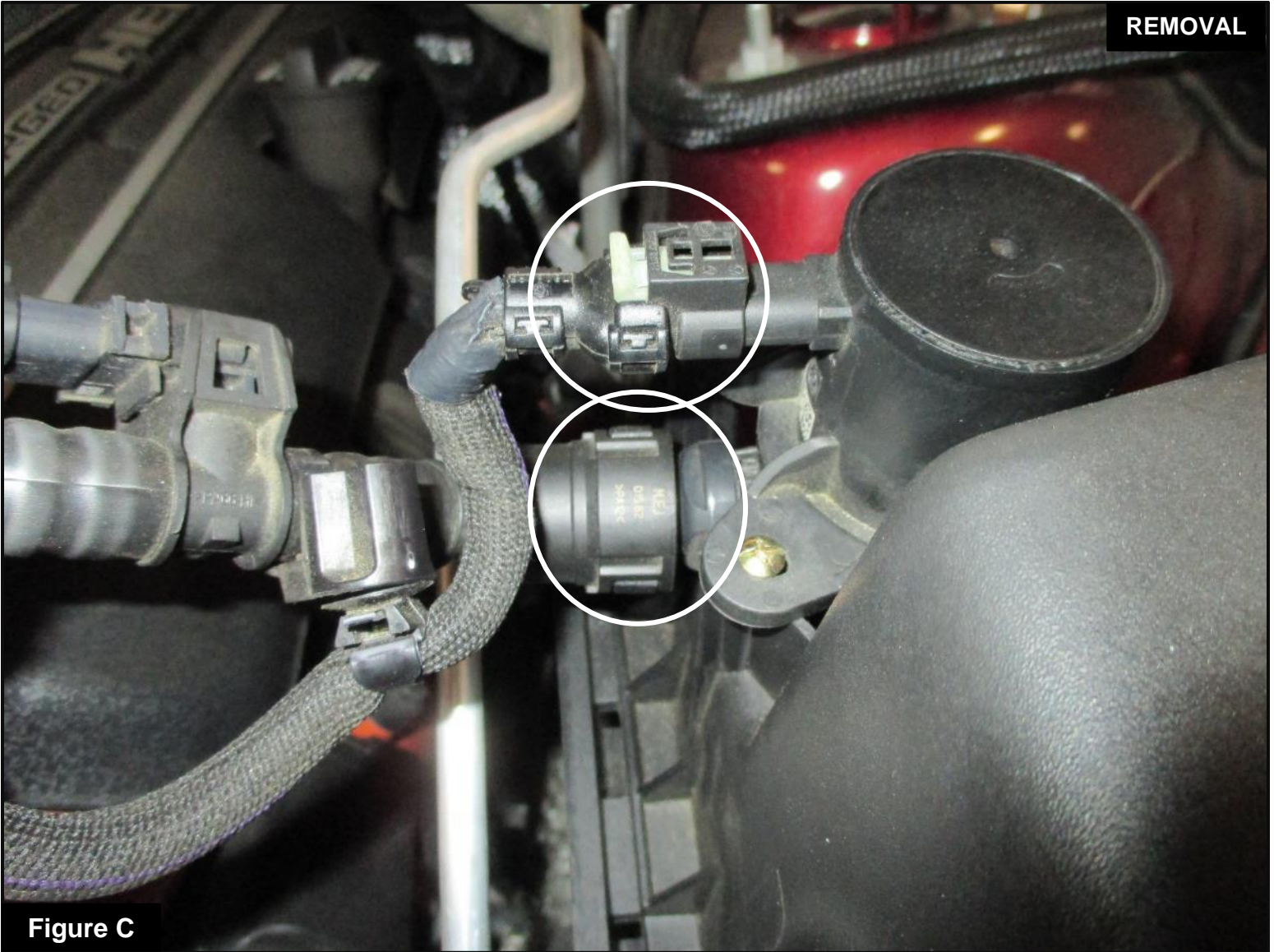
**Figure A****Refer to Figure A for Steps 1-2**

Step 1: Disconnect the temperature sensor.

Step 2: Loosen the hose clamp at the throttle body.

**Figure B****Refer to Figure B for Step 3**

Step 3: **(For the 2018 Jeep Trackhawk only)** Remove the factory crankcase vent (CCV) fitting from the factory intake.



Refer to Figure C for Steps 4-5

Step 4: **(For the 2019-2021 Jeep Trackhawk and Dodge Durango Hellcat only)** Disconnect the Multi-Air Unit Actuator (MUA) from the sensor harness.

Step 5: **(For the 2019-2021 Jeep Trackhawk and Dodge Durango Hellcat only)** Disconnect the MUA from the CCV hose.



Refer to Figure D for Steps 6-7

Step 6: Remove the factory block off plate. Use a panel popper to remove the two (2) pins and three (3) clips from the factory trim seal.

Step 7: Remove the factory intake. Carefully, pull the factory intake tube away from the throttle body and pull up on the factory airbox.

**Figure E****Refer to Figure E for Step 8**

Step 8: **(For the 2019-2021 Jeep Trackhawk and Dodge Durango Hellcat only)** Remove the MUA from the factory airbox. Carefully, using a blade or knife, trim the three (3) plastic pins to detach the MUA from the factory airbox.



Figure F

Refer to Figure F for Step 9

Step 9: Transfer the three (3) factory grommets from the factory airbox to the aFe POWER housing.

**Figure G**

Refer to Figure G for Steps 10-12

Step 10: **(For the 2019-2021 Jeep Trackhawk and Dodge Durango Hellcat only)** Transfer the MUA to the bracket on the aFe POWER housing and attach using the three (3) supplied M4 screws.

Step 11: Install the supplied air filter into the aFe POWER housing. Place the air filter into the large opening at the top, then slip the air filter mouth into the oval opening on the aFe POWER housing, making sure the air filter's lip locks into place. Place the clamp on the air filter flange, but do not tighten the clamp at this time.

Step 12: Install the supplied trim seal on the top edge of the aFe POWER housing.

**Figure H**

Refer to Figure H for Steps 13-14

Step 13: (For the 2019-2021 Jeep Trackhawk and Dodge Durango Hellcat only) Attach the supplied hose to the MUA. Make sure to slip the supplied hose over the entire MUA port, for a full seal. Leave the factory O-ring installed.

Step 14: (For the 2019-2021 Jeep Trackhawk and Dodge Durango Hellcat only) Install the supplied elbow fitting in to the open end of the supplied hose.

**Figure I****Refer to Figure I for Step 15**

Step 15: Transfer the temperature sensor from the factory intake tube to the forged carbon fiber aFe POWER intake tube. Carefully pull up on the sensor to remove from the factory intake. Then, install the sensor into the forged carbon fiber aFe POWER intake tube by pushing it into the fitting and rotating clockwise quarter-turn, keeping it from sliding out.



Figure J

Refer to Figure J for Step 16

Step 16: Insert the forged carbon fiber aFe POWER intake tube into the pre-assembled aFe POWER housing and air filter. Do not tighten the clamp at this time.

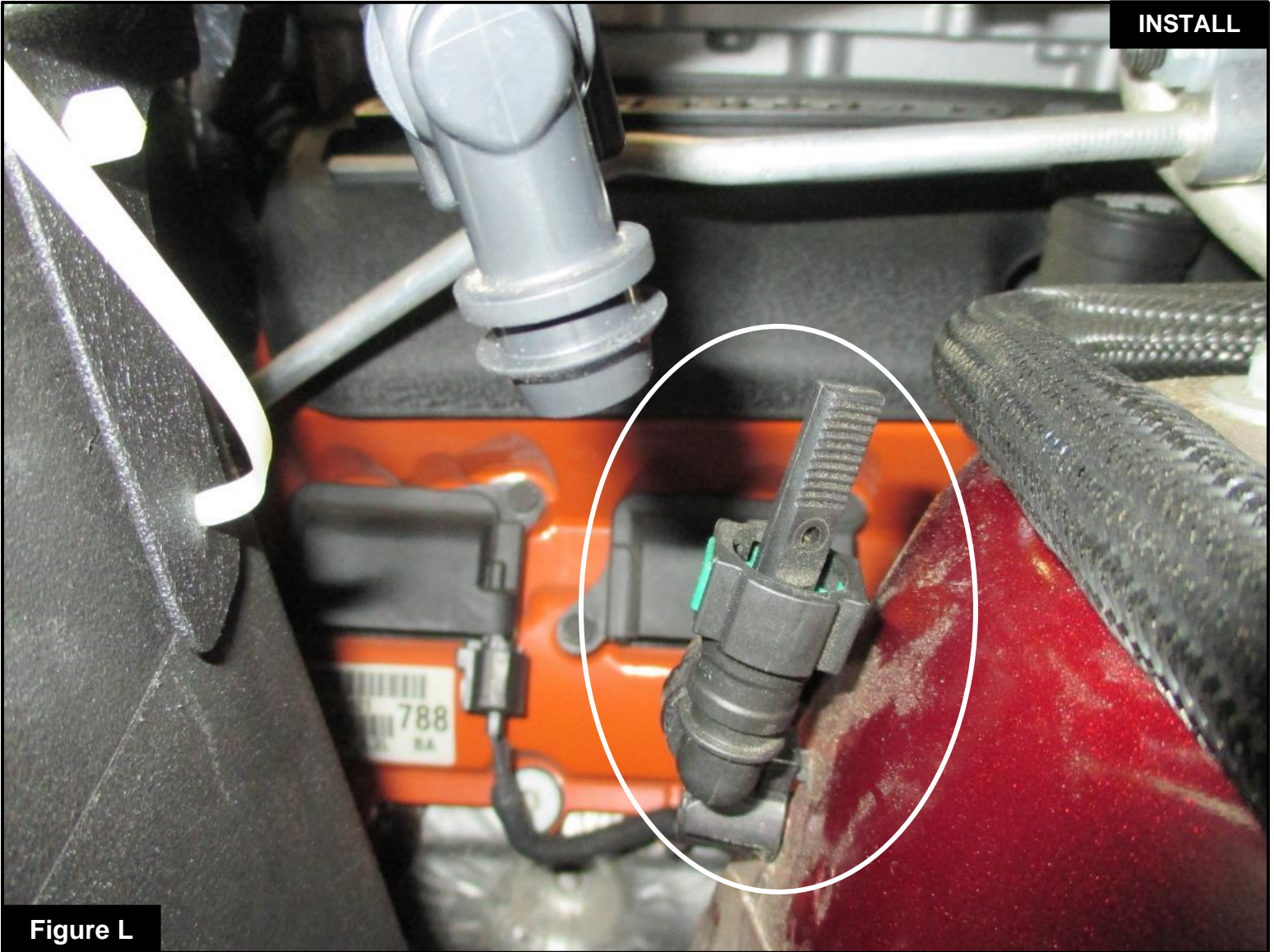


Figure K

Refer to Figure K for Step 17

*Image above is of 2018 Jeep Trackhawk

Step 17: Install the supplied coupling and clamps onto the throttle body. Do not tighten the clamps.

**Figure L**

Refer to Figure L for Step 18

Step 18: Inspect the sensor located on the driver's side strut tower. If the sensor is not orientated such as the sensor in Figure L, carefully rotate it to match the sensor in this image.



Figure M

Refer to Figure M for Steps 19-22

*Image above is of 2018 Jeep Trackhawk

Step 19: Install the assembled aFe POWER intake into the engine bay by gently pushing the housing in to the three (3) mounting pins. Then, slide the forged carbon fiber aFe POWER intake tube into the coupling at the throttle body.

Step 20: Adjust the forged carbon fiber aFe POWER intake tube and coupling to sit properly, then tighten all three (3) clamps.

Step 21: Re-connect the temperature sensor harness to the temperature sensor.

Step 22: **(For the 2018 Jeep Trackhawk only)** Insert the open end of the CCV fitting from **Step 3** into the coupling. Then, secure the fitting to the coupling using the supplied clamp.

**Figure N****Refer to Figure N for Steps 23-24**

Step 23: **(For the 2019-2021 Jeep Trackhawk and Dodge Durango Hellcat only)** Re-connect the MUA to the sensor harness.

Step 24: **(For the 2019-2021 Jeep Trackhawk and Dodge Durango Hellcat only)** Re-connect the CCV hose to the MUA.



Figure O

Refer to Figure O for Steps 25-27

***Image above is of 2021 Dodge Durango Hellcat**

Step 25: (For the 2019-2021 Jeep Trackhawk and Dodge Durango Hellcat only) Connect the open end of the fitting from **Step 14** into the coupling. Then, secure the fitting to the coupling using the supplied clamp.

Step 26: Re-attach the factory trim seal from **Step 6** into the aFe POWER housing.

Step 27: Make sure all components and connections are secure. Your installation is now complete. Thank you for choosing aFe POWER!

NOTE: Check all bolts, clamps, and connectors after 100-200 miles.



Page Left Blank Intentionally



advanced FLOW engineering, inc.

252 Granite Street Corona, CA 92879

<https://afepower.com/contact>